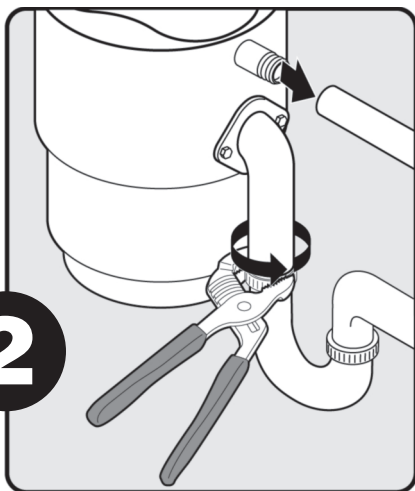


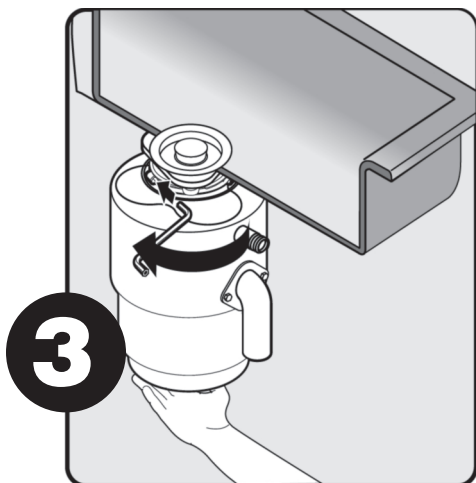
GD12 1/2HP GARBAGE DISPOSER INSTALLATION & USER INSTRUCTIONS

- 1** If you are replacing an existing disposer, continue to Step 2. If there is no existing disposer, disconnect sink drain and skip to Step 9.



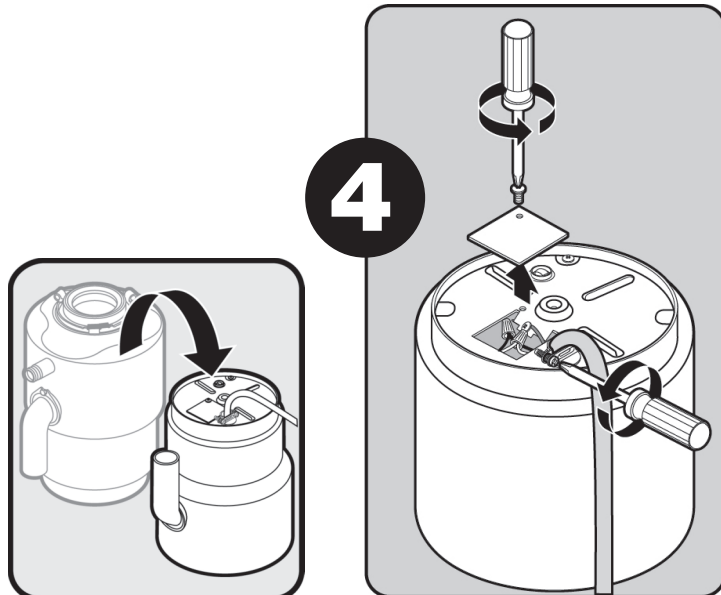
⚠ WARNING SHOCK HAZARD

Disconnect electrical power at fuse box or circuit breaker box. Disconnect drain trap from waste discharge tube. Disconnect the dishwasher if connected to the disposer.

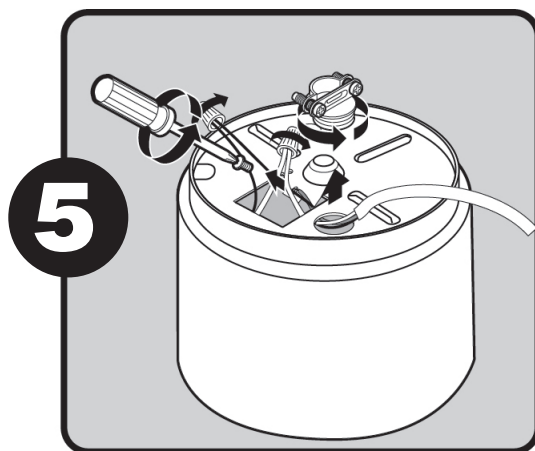


⚠ WARNING FALLING HAZARD

Support disposer, insert end of wrenchette into right side of mounting lug, and turn. Disposer will fall free.



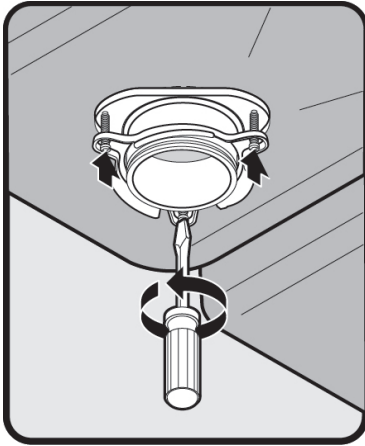
Invert the disposer and remove the electrical cover plate.



Disconnect the disposer wires from the electrical supply.

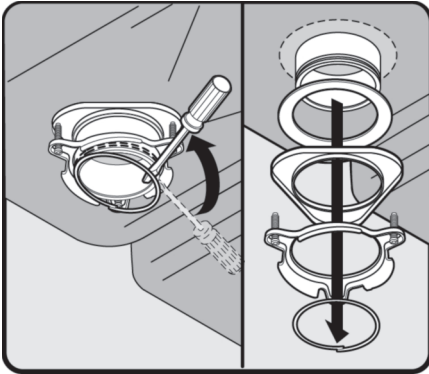
**Is the new disposer mounting the same as the old one?
If YES, skip to Step 15.
If NO, continue to Step 6.
You must install Part # SF1 available separately.**

6



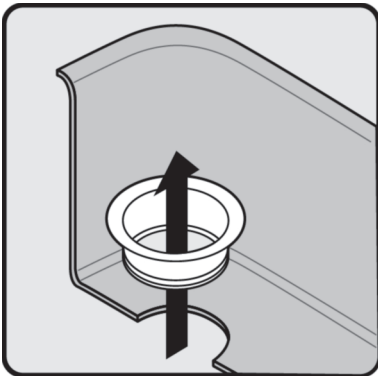
Using a flathead screwdriver, loosen the 3 screws on the mounting assembly.

7



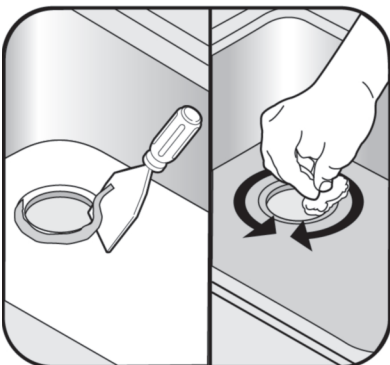
Using a flathead screwdriver, pry off the snap ring. The fiber gasket, backup flange & mounting ring can be removed.

8



Remove the old flange from the sink.

9



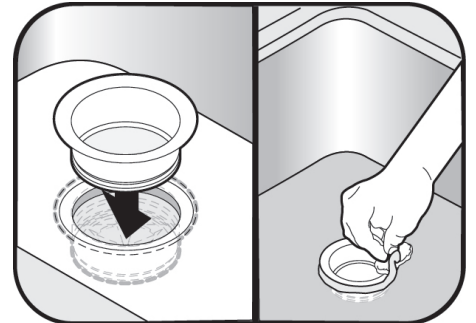
Remove old plumber's putty from the sink.

10



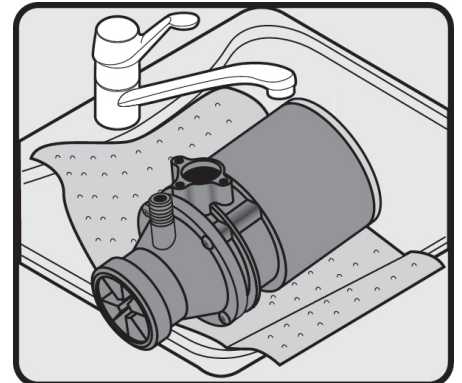
Evenly apply a 1/2" thick rope of plumber's putty (45325) around the new sink flange from kit SF1.

11



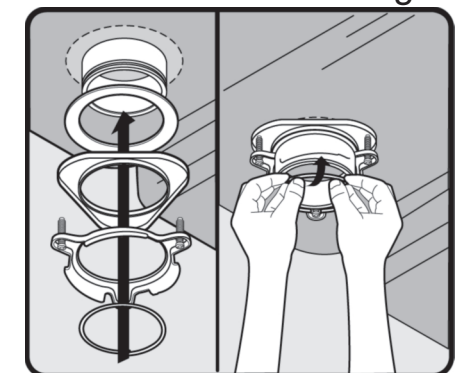
Press the new sink flange firmly into the sink drain. Remove the excess plumber's putty.

12



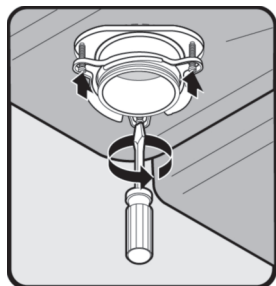
Place a weight, such as the old disposer, on the sink flange to hold it in place. Use a soft cloth such as a towel to avoid scratching the sink.

13



Insert the fiber gasket, backup flange, & mounting ring. Hold in place while inserting the snap ring. Pull the snap ring open and press firmly until it snaps into place.

14

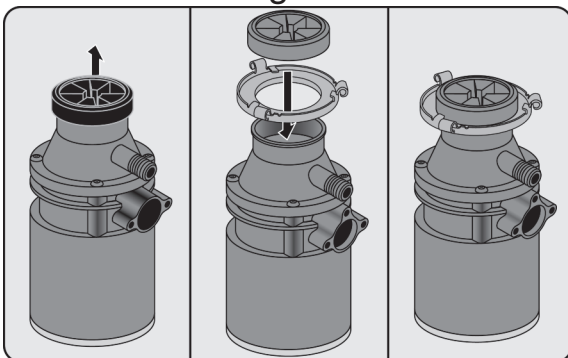


Using a flathead screwdriver, tighten the 3 screws on the mounting assembly firmly against the backup flange.

INSTALL THE MOUNT RING ONTO THE NEW DISPOSER.

If replacing an old disposer, remove the existing mount ring to be mounted on the new disposer. A new Mount Ring is included in the SF1 kit.

15

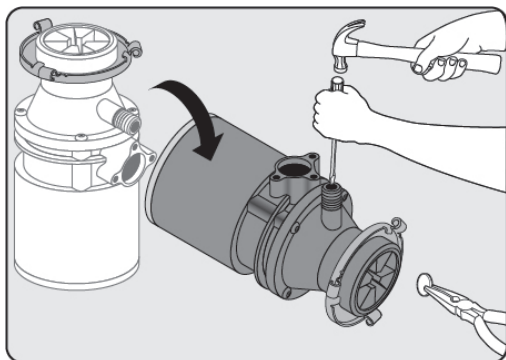


Remove the rubber splash guard from the new disposer. Slip the Mount Ring over the disposer throat. Replace the splash guard making sure the flange securely seats with the groove in the splash guard.

*** CAUTION: DISHWASHER CONNECTION ONLY**

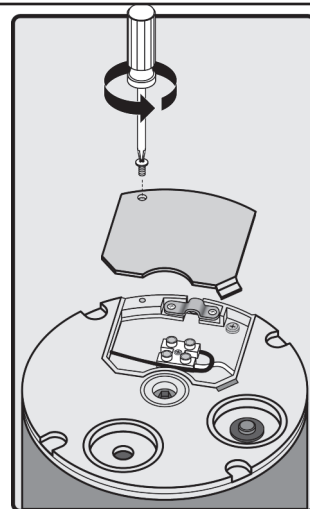
If you do not need to attach the dishwasher, go to step 17.

16



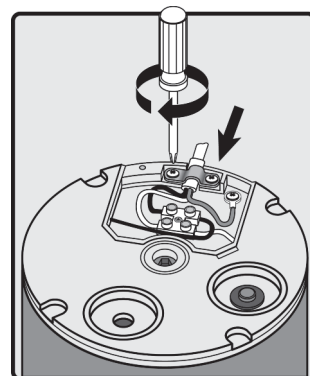
Turn the disposer onto its side & insert a screwdriver into dishwasher inlet. Knock out the plastic drain plug and remove it from inside of the disposer.

17



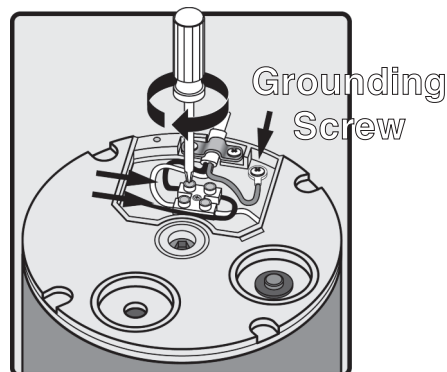
Turn the disposer over and remove the electrical cover plate.

18



Run the electrical cable or power cord (PS1 to be purchased separately) through the access hole on side bottom of the disposer. Tighten the internal cable connector.

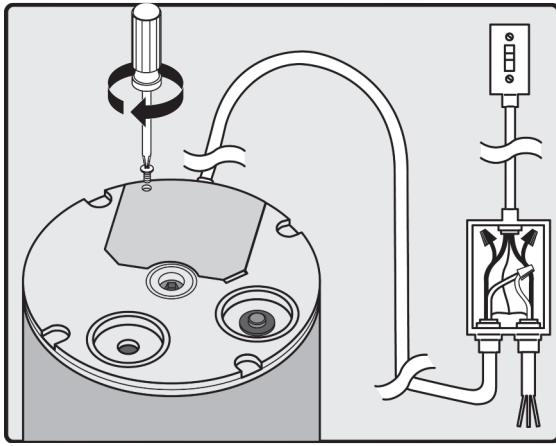
19



***WARNING!**

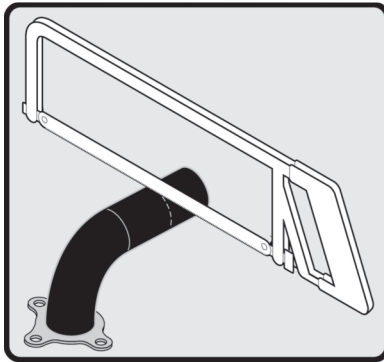
Improper grounding can result in electric shock hazard. Insert the neutral (white) wire from power source into the terminal block opposite the white wire from disposer. Tighten the clamping screw in the terminal block. Then insert into the terminal block the hot (black, red) wire from power source opposite the black wire from the disposer. Tighten the clamping screw in the terminal block. Fasten ground wire to green grounding screw. Unit must be grounded for safe and proper installation.

20



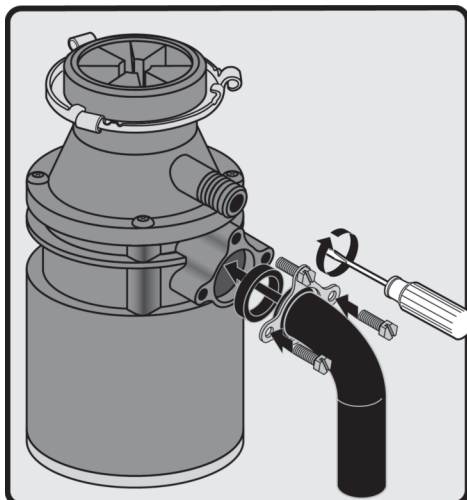
Replace the electrical cover plate. This disposer requires a switch with a marked "Off" position (wired to disconnect all ungrounded supply conductors) installed within sight of the disposer sink opening (1 hp minimum rating).

21



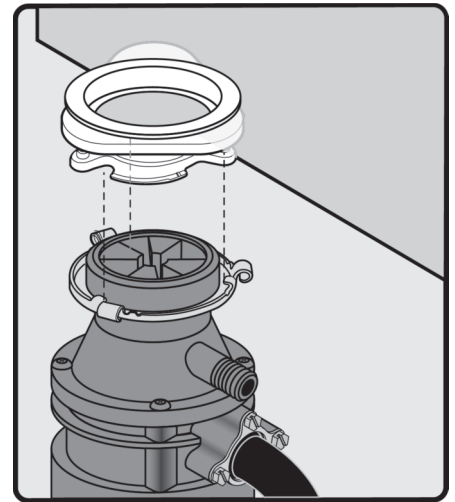
You may need to trim the waste pipe to ensure proper fit.

22



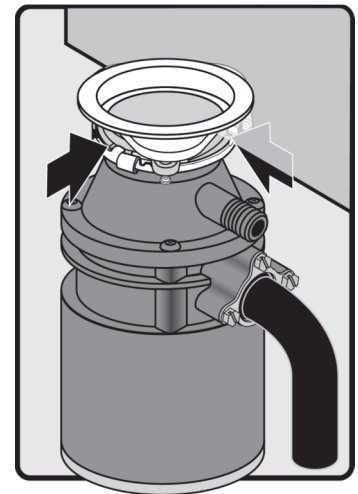
Slide the flange over the waste pipe. Insert the gasket into the discharge outlet. Secure the flange and the waste pipe to the disposer with 3 bolts.

23



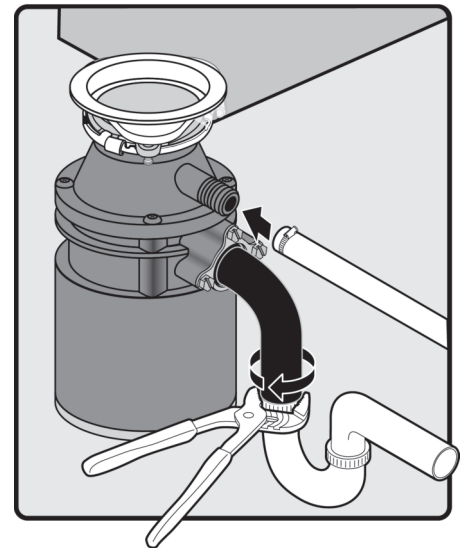
Hang the disposer by aligning the 3 mounting tabs with the slide-up ramps on the mounting ring.

24



Turn the mounting ring until all 3 mounting tabs lock over the ridges on the slide-up ramps.

25



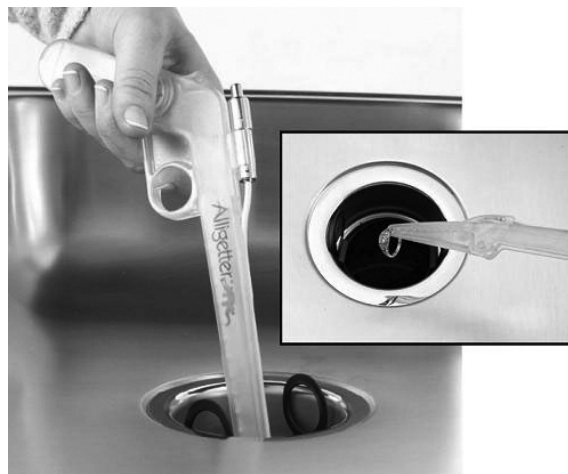
Rotate disposer so that the waste pipe is aligned with the drain trap. Reconnect the plumbing (and the dishwasher connection if used).

GD12 1/2HP GARBAGE DISPOSER USER INSTRUCTIONS

⚠ WARNING Basic precautions are always to be followed, including:

- Read all instructions before using the appliance.
- To reduce the risk of injury, close supervision is required when an appliance is used near children.
- Do not put fingers or hands into a waste disposer.
- Turn the power switch to the off position before attempting to clear a jam, removing an object from the disposer or pressing reset button.
- When attempting to loosen a jam in a waste disposer, use the self-service wrenchette (included).
- When attempting to remove objects from a waste disposer, use an ARB1 Alligetter (must be purchased separately).

**ARB1
ALLIGETTER**



- Do not put the following into the disposer: clam or oyster shells, caustic drain cleaners or similar products, glass, china, or plastic, large (whole) bones, metal (such as bottle caps, steel shot, tin cans, or utensils), hot grease or other hot liquids.
- When not operating the disposer, leave the stopper in place to reduce the risk of objects falling into the disposer.
- This product has been designed to dispose of normal household food waste; inserting materials other than food waste into disposer could cause personal injury and/or property damage.
- To reduce the risk of injury, do not use the sink containing the disposer for purposes other than food preparation (such as baby bathing or washing hair).
- Do not dispose of the following in the disposer: paints, solvents, household cleaners and chemicals, automotive fluids, plastic wrap.
- FIRE HAZARD: Do not store flammable items such as rags, paper or aerosol cans near the disposer. Do not store or use gasoline or other flammable vapors and liquids in vicinity of disposer.

⚠ WARNING

Do not use plumber's putty on any other disposer connection other than sink flange. Do not use thread sealants or pipe dope. These may harm disposer and cause property damage.

⚠️ WARNING

GROUNDING INSTRUCTIONS

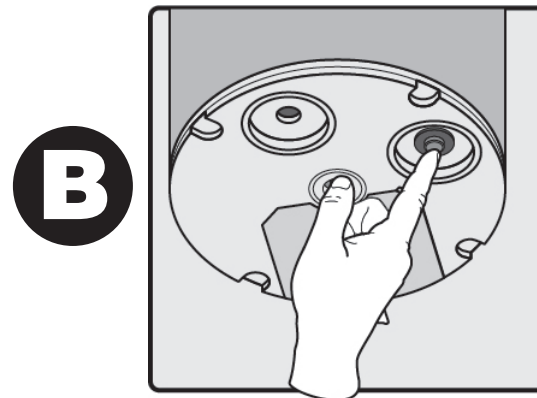
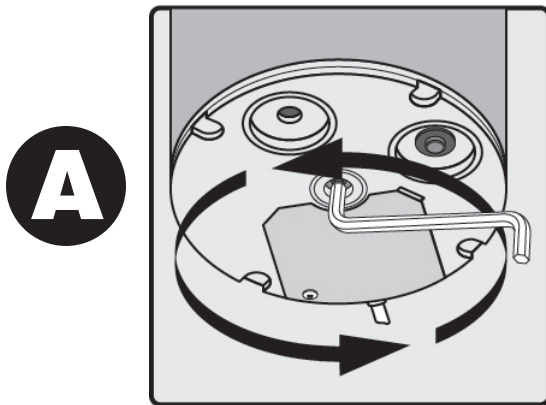
Improper connection of the equipment-grounding conductor can result in a risk of electric shock. Check with a qualified electrician or serviceman if you are in doubt as to whether the disposer is properly grounded. If the plug provided with the disposer does not fit the outlet, do not modify the plug or attempt to force the plug into the outlet – have a proper outlet installed by a qualified electrician.

- This disposer must be properly grounded.
- Do not attach ground wire to gas supply line.
- Disconnect power before installing or servicing disposer.
- If three-prong grounded plug is used, the plug must be inserted into the three hole grounded receptacle.
- All wiring must comply with local electrical codes.
- Do not reconnect electrical current at main service panel until proper grounds are installed.

RELEASING A DISPOSER JAM

If motor stops while the disposer is operating, the disposer may be jammed. To release a jam:

1. Turn off the disposer and the water.
2. Insert one end of the self-service wrenchette into the center hole on bottom of the disposer (see Figure A). Work the wrenchette back and forth until it turns one full revolution. Remove the wrenchette.
3. Reach into the disposer with tongs (Alligetter ARB1) and remove object(s). Allow the disposer motor to cool for 3 - 5 minutes, then lightly push the red reset button on the disposer bottom (see Figure B). (If the motor remains inoperative, check the service panel for tripped circuit breakers or blown fuses.)

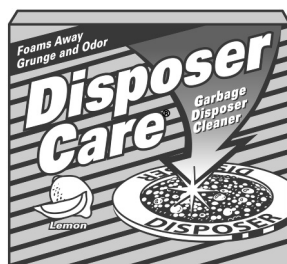


CLEANING DISPOSER

Over time, food particles may accumulate in the grind chamber and baffle. An odor from the disposer is usually a sign of food buildup. To clean disposer:

1. Place stopper in sink opening and fill sink halfway with warm water.
2. Mix 1/4 cup baking soda with water. Turn disposer on and remove stopper from the sink at same time to wash away loose particles.
3. Disposers may also be cleaned with Disposer Care® (DP36F) or PLINK® (19010).

**Disposer
Care®
DP36F**



**PLINK
19010**

