



2019-2020

HEATING & COOLING

www.parts-connect.com



TEST EQUIPMENT

HVAC CLAMP METERS with TEMPERATURE



CM100

1.2" Jaw Opening 1000 Amps AC

- Auto Ranging
- Temperature F/C -58° to 2372°F / -50° to 1300°C
- Capacitance 100µF
- Continuity Buzzer Sounds at 100Ω
- Diode Test: 0.3mA Open Circuit 1.5V
- 9" x 3.1" x 1.9"
- Soft Case
- Volts AC/DC 600V CAT III
- Resistance 40MΩ
- Frequency 10MHz
- Max/Min/Hold
- Instructions
- (2) AAA Batteries
- Temperature Probe

CM200

0.9" Jaw Opening 400 Amps AC

- Auto Ranging
- Temperature F/C -58° to 2372°F / -50° to 1300°C
- Capacitance 100µF
- Continuity Buzzer Sounds at 100Ω
- Temperature Probe
- Instructions
- Weight 7 oz
- Volts AC/DC 600V CAT III
- Resistance 40MΩ
- Frequency 150KHz
- Max/Min/Hold
- Diode Test: 0.3mA Open Circuit 1.5V
- (2) AAA Batteries
- Soft Case
- 8.1" x 2.75" x 1.5"
- Test Leads



MULTIMETERS with TEMPERATURE



TM100

Compact

- DC Voltage: 200mV, 2V, 200V, 1000V
- DC Current: 200µA, 2000µA, 20mA, 200mA, 10A
- Resistance: 200Ω, 2000Ω, 20KΩ, 2000KΩ
- Temperature: -58 to 2498°F (-50° to 1370°C)
- Protective Rubber Holster
- AC Voltage: 200V, 700V
- Audible Continuity
- 9V Battery
- Test Leads
- Type K Temp Probe

TM200

True RMS

- Auto Ranging
- Temperature F/C -58° to 1400°F / -50° to 760°C
- Capacitance 40µF
- Continuity Buzzer
- Diode Test: 0.3mA Open Circuit 1.5V
- 7.2" x 3.2" x 2.2"
- Type K Temperature Probe
- Volts AC/DC 1000V CAT III
- Resistance 40MΩ
- Frequency 10 MHz
- Max/Min/Hold
- Instructions
- (1) 9V Battery
- Soft Case
- Test Leads



INFRARED THERMOMETERS



IT100

8:1 Compact Laser • -22 to 500°F (-30° to 260°C)

- Selectable °F/°C
- Max & Min Record
- Soft Case
- Automatic Data Hold
- 5.2" x 3.8" x 1.4"
- 9V Battery
- Backlight LCD
- 4.6 oz.
- Instructions

IT200

12:1 Compact Laser • -58 to 1202°F (-50° to 650°C)

- Selectable °F/°C
- Max & Min Record
- 5.7 oz.
- Soft Case
- Automatic Data Hold
- Trigger Lock
- 9V Battery
- Backlight LCD
- 5.7" x 4.1" x 1.7"
- Instructions



TEST EQUIPMENT

COMBUSTIBLE GAS LEAK DETECTOR

- GD100** Detects: Natural Gas, Propane, Gasoline, Methane, Butane, Alcohol, Acetone, Naptha, Carbon Monoxide, Jet Fuel, Hydrogen Sulfide, Ammonia, Lacquer Thinner
- Pump Driven Detector can be calibrated in the field
 - Range: 10ppm
 - 16" Gooseneck Detector
 - Response: <2 sec.
 - Weight: 1.1lb.
 - Alarm: Visible & Audible
 - 8.7" x 2.8" x 1.8"



DIFFERENTIAL PRESSURE MANOMETER

- DM100** inH₂O : -55.4" to +55.4
- 11 Selectable units of measure: inH₂O, psi, mbar, kPa, inHg, mmHg, ozin², ftH₂O, cmH₂O, kgcm², bar
 - 10 psi Max Pressure
 - Record Mode
 - Low Battery Indicator
 - Dual LCD Display
 - Data Hold
 - Time Stamp
 - Backlight
 - 9V Battery
 - Max/Min/Avg
 - Zero Function
 - Auto Power Off
 - Soft Case
 - Manual
 - psi +/- 2



DIAGNOSTIC PSYCHROMETER

- DP100** Calculates Target Superheat (TSH)
- Target Evap Exit Temp (TEET)
 - Temperature -30 to 199°F (-30 to 100°C)
 - Type K Temp -58 to 2501°F (-50 to 1372°C)
 - MAX, MIN, HOLD Modes
 - -22 to 199°F (-30 to 100°C) Dew Point
 - 32 to 176°F (0 to 80°F) Wet Bulb
 - Selectable NTC or Type K Measurement
 - Soft Case
 - 6.2 oz.
 - 0 to 100% RH
 - 9V Battery
 - Dual Display & Backlight
 - 7.4" x 2.5" x 1.1"
 - Temperature Probe
 - Auto OFF
 - Manual



TYPE-K DUAL INPUT THERMOMETER

- DT100** -58 to 2000°F (-50 to 1300°C)
- Differential Measurement T1-T2
 - Selectable °F/°C
 - Type-K Thermocouples
 - 9V Battery
 - Low Battery Indicator
 - Data & MAX Hold
 - Holdster & Stand
 - Manual
 - Backlight LCD
 - Auto Power Off
 - Soft Case
 - 6.5" x 3" x 1.7"
 - 14 oz.



LOW VOLTAGE DETECTOR & LED FLASHLIGHT

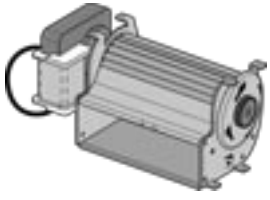
- TT100** Non-contact AC CAT III detection 24 to 1000VAC
- Bright LED Flashlight with ON/OFF Button
 - Red LED light & Audible Beeper Indicator
 - For Outlets or Against Wire Insulation
 - For Use On 50/60 Hz Circuits



TYPE-K PIPE CLAMP TEMP. PROBE

- TP4** -40 to 392°F • 40" Leads • 1 3/8" Jaw Opening

Crossflow & Centrifugal Blowers

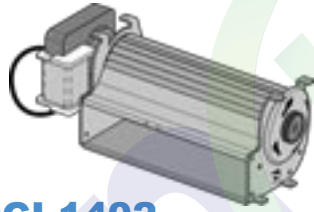


PCI-1401

115V • 66CFM • 2³/₈" dia
L=120mm (4.72")

Replaces:

Monassen BLOTS DV,
Heatilator FK21M GFK21,
Security UZY, 3G4,
UZY5 (2 blowers)

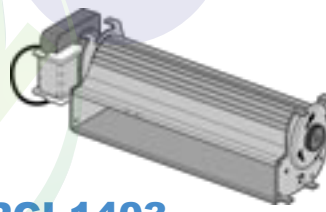


PCI-1402

115V • 98CFM • 2³/₈" dia
L=180mm (7.00")

Replaces:

Napoleon GZ550, GZ552,
Continental EP62-1

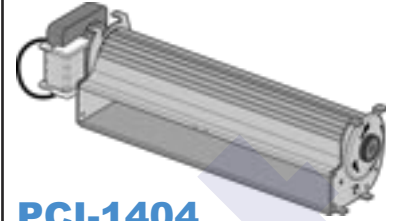


PCI-1403

115V • 133CFM • 2³/₈" dia
L=240mm (9.5")

Replaces:

Lennox FBK 100, 200,
250,
Majestic FK29, 12,
Heatilator FK4, GFK4



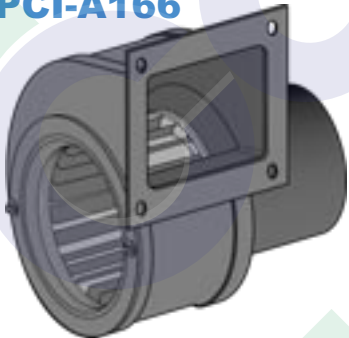
PCI-1404

115V • 165CFM • 2³/₈" dia
L=300mm (11.72")

Replaces:

Monassen BLOT

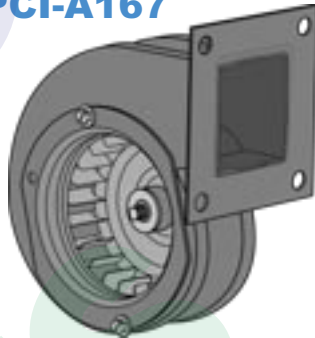
PCI-A166



115V • 1.4 A • 115CFM
3200RPM

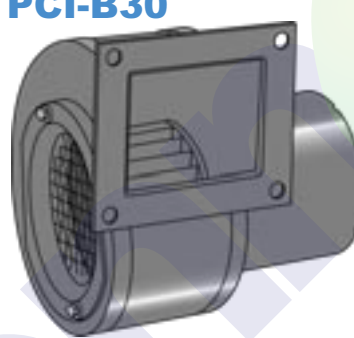
Repl: 4C446, 7021-3469

PCI-A167



115V • 0.4 A • 30CFM
2900RPM

PCI-B30



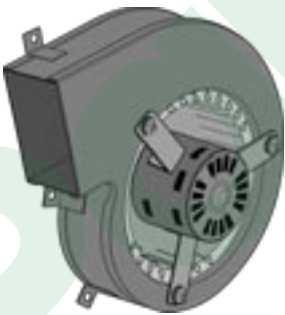
115V • 0.59A • 45CFM
3200RPM

PCI-B75



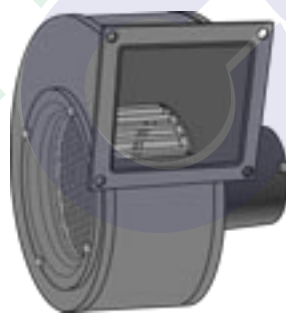
115V • 0.59A • 75CFM
3200RPM

PCI-B47120



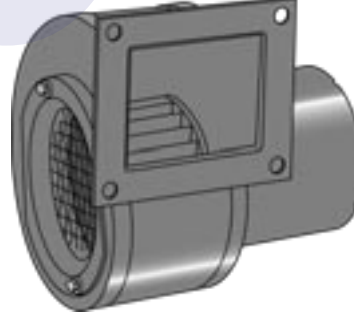
115V • 1.95 A • 180CFM
3-Sp 830/1100/1360RPM

PCI-B45227



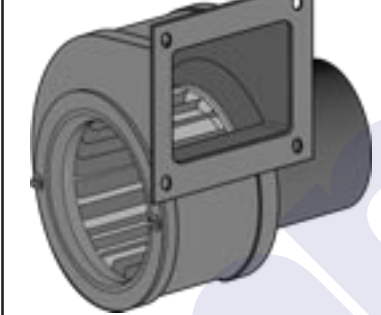
115V • 1.86 A • 265CFM
1650RPM

PCI-A1200



115/230V • 6.8/3.4A
• 1200CFM
2-Sp

PCI-1TDN7



115V • 0.23 A • 50CFM
3036RPM



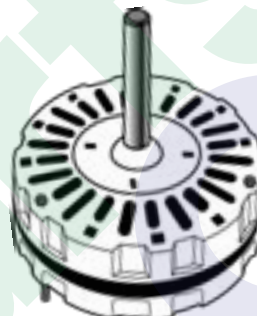
RFB250

Armstrong Rooftop Blower

Shaded Pole

208/230V 0.7A 1/30HP
3000RPM

42250-001, 7021-10126



97009317A

5" Motor for Rooftop Ventilation

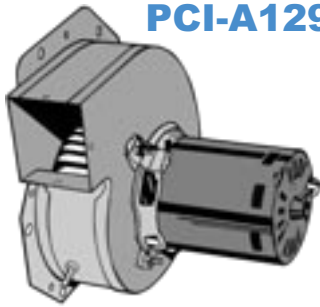
Shaded Pole • Air-Over

1/8HP • 4.3A • 115V

Body= 2⁵/₈ • Shaft= 1/2 X 2⁵/₈"

1-Speed • CW • 1050 RPM

Furnace Draft Inducer Blower



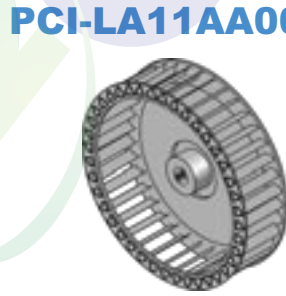
PCI-A129

Amana
115V 1.95A 1/20HP SP
Replaces: 7021-9064,
7021-9259



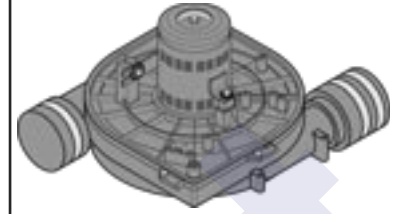
RFB212

Carrier
115V 1.52A 1/25HP SP
HC21ZE117B, 318984-
753, 818984753, 65569

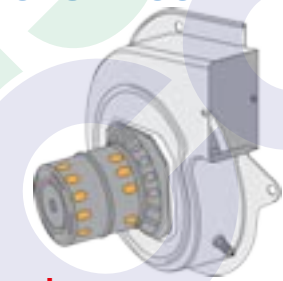


PCI-LA11AA005

Carrier
Blower Wheel
HC21ZE117B, A65569B



Carrier
320725-756
1/12HP 0.85AMPS 115V
3300RPM • PSC
REP: 1179081,
320725756, 66756



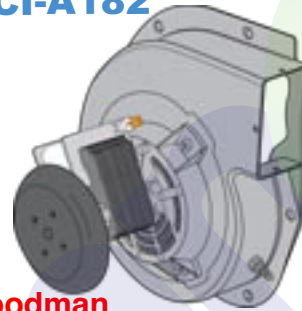
0131M00121

Goodman
230V 0.33A 1/50HP SP
Replaces: 0131M00121SP
10552, 66121



PCI-A157

Goodman
115V 1.3A 1/30HP SP
Replaces: B1895005,
7002-2307, 7002-3219



PCI-A182

Goodman
115V 1.3A 1/35HP SP
Replaces: B4059000,
7002-3036, 7002-3105

320725-757
58W 0.85AMPS 115V
3300RPM • PSC
REP: 320725757, 66757

320725-758
78W 1.15AMPS 115V
3400RPM • PSC
REP: 320725758, 66758



RFB276

Goodman
115V 1.4A 1/30HP SP
Replaces: 0131M00002P,
66002



RFB483

Goodman
115V 1.8A 1/8HP SP
Replaces: B4833000S,
7021-10958



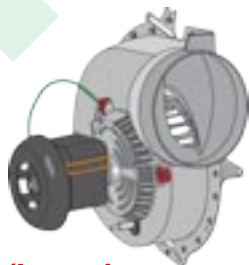
RFB501

Goodman
115V 2.8A 1/16HP SP
Replaces: 0171M00000,
7058-2108



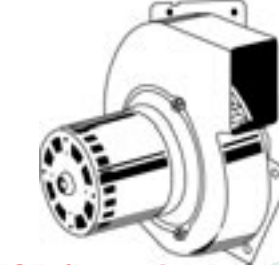
PCI-1006168

ICP (Intercity Products)
115V 0.9A 1/50HP SP
Replaces: 7021-8693
A179



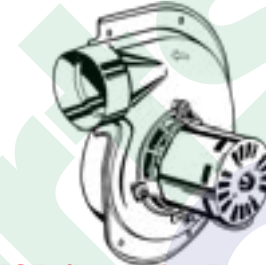
PCI-1014529

ICP (Intercity Products)
115V • 1.5A • SP
Replaces: 10011645,
10011945, 1014433



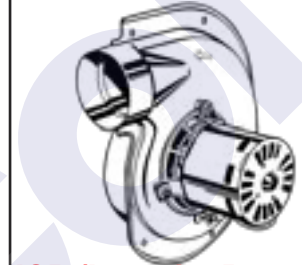
PCI-1054268

ICP (Intercity Products)
230V 0.46A 1/50HP SP
Replaces: 7021-7617,
A148



PCI-A134

ICP (Intercity Products)
115V 1.5A 1/25HP SP
Replaces: 1010975,
1013833, 7021-9335

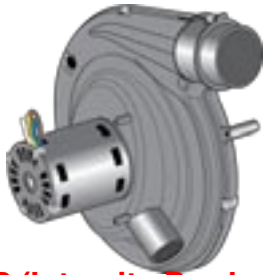


PCI-A169

ICP (Intercity Products)
230V 0.75A SP
Replaces: 1110008,
108557, 7021-10048

Furnace Draft Inducer Blower

PCI-A173



ICP (Intercity Products)
115V 0.8A 1/18HP PSC
Replaces: 1011350,
7062-4578, 66350

RFB145



ICP (Intercity Products)
115V 0.7A 1/25HP PSC
1009924, 1010527,
1011412, 1164280

RFB330



ICP (Intercity Products)
115V 2.4A 1/25HP SP
1013915, 1172823, A067,
66338, 329148-701

RFB383



ICP (Intercity Products)
115V 1.6A 1/26HP SP
1010238P, 1010324,
1013833, A051, 66833

RFB433



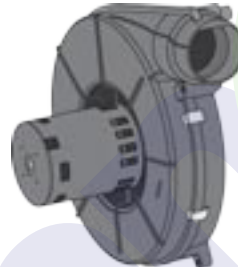
ICP (Intercity Products)
115V 1.5A 1/35HP SP
Replaces: 1014433,
1014529, 66529

PCI-A151



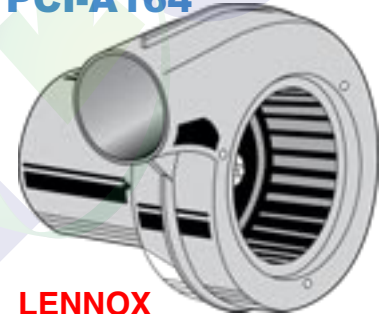
ICP (Intercity Products)
230V 0.3A 1/50HP SP
Replaces: 1050144
KEEPRITE ROOF TOP

PCI-A170



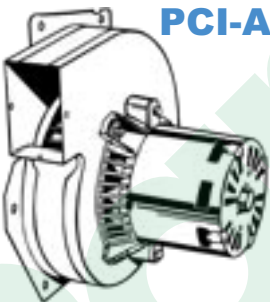
ICP (Intercity Products)
115V 2.3A 1/25HP PSC
1164282 KEEPRITE,
HEIL, TEMPSTAR

PCI-A164



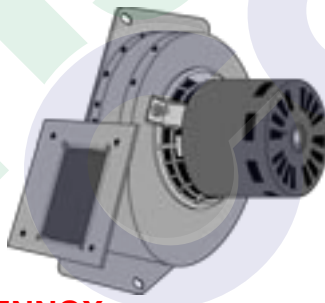
LENNOX
115V 0.8A 1/60HP SP
10K5301, 67M5401,
7021-9593, 66401

PCI-A206



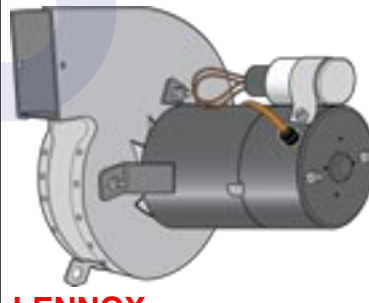
LENNOX
115V 1.5A 1/25HP SP
20J8901, 7021-8473,
7021-8938, 66300

PCI-A217



LENNOX
230V 0.83A 1/16HP SP
25M5501, 7021-11231

PCI-A324



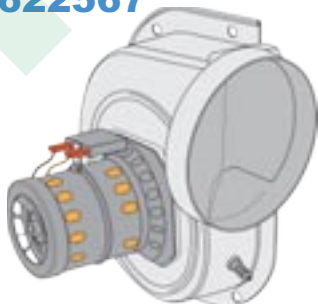
LENNOX
230V 0.5A 1/12HP PSC
28G6601, 7062-1909

RFB547



LENNOX
115V 1.8A 1/20HP SP
67K0401, 68K21, A163

622567



NORDYNE
115V 0.43A 1/33HP PSC
904999, 66567, 10

RFB181



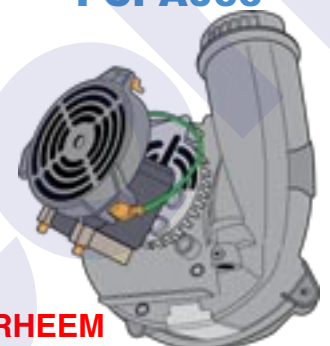
OLSEN, AIRCO
115V 1.2A 1/22HP SP
Left Hand Discharge
18102, 117591-00

RFB200



OLSEN, AIRCO
115V 1.8A 1/24HP SP
Right Hand Discharge
28002, 117592-00

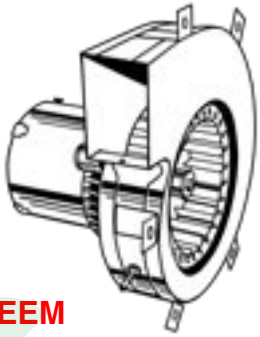
PCI-A066



RHEEM
115V 1.27A 1/30HP SP
70-24157-03, 66847

Furnace Draft Inducer Blower

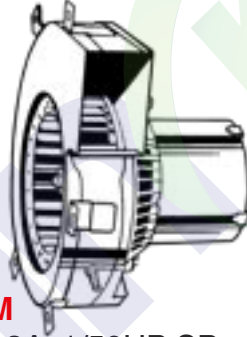
PCI-A079



RHEEM

115V 1.1A 1/50HP SP
71-21504-04, JA1MN137

PCI-A090



RHEEM

115V 1.3A 1/50HP SP
70-21496-01, JA1M102

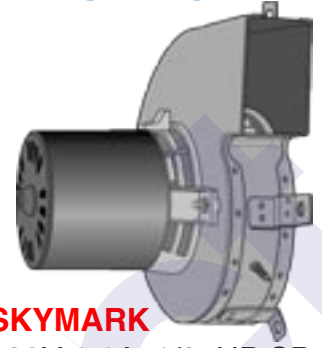
PCI-7021-11559



RHEEM

230V 0.62A 1/25HP SP
70-23586-81, A241, 86241

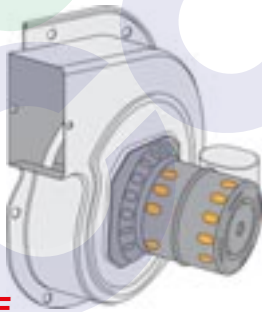
PCI-A251



SKYMARK

230V 1.1A 1/35HP SP
MTR-136PK, 82136

BLW01321



TRANE

230V 0.22A 2543rpm PSC
D344253P02, Y3L248A516

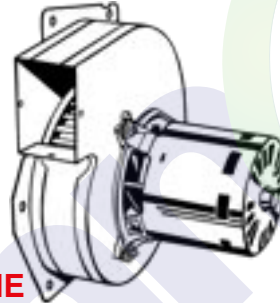
RFB337



TRANE

115V 1.3A 1/30HP SP
D330787P01,
7021-10281, 7002-2558

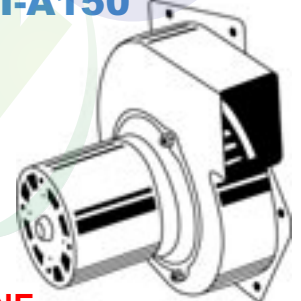
PCI-A143



TRANE

115V 0.95A 1/50HP SP
X38040305010,
7021-9639, 66787

PCI-A150



TRANE

230V 0.95A 1/35HP SP
X38080029010,
7021-10286, 82253

PCI-A271



TRANE

230V 0.62A 1/18HP PSC
X38040308-01,
2-Speed 7021-3969

PCI-A272



TRANE

230V 0.65A 1/15HP PSC
X38040309-01,
2-Speed 7021-3971

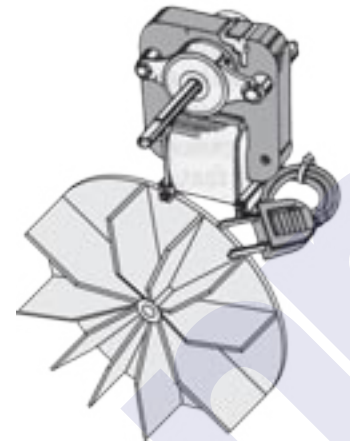
RFB165



YORK

115V 0.7A 1/25HP PSC
024-25960-000,
2940391P, A165

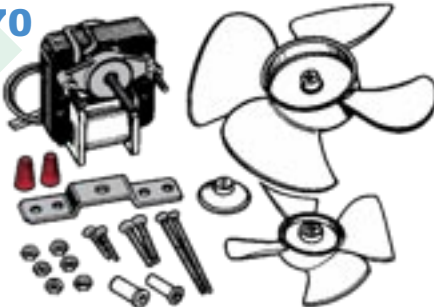
WD100-550



Vent Hood Motor

- 120V w 2-Prong AC Plug
 - 1-Speed • CCW
 - 7/8" Stack
 - Fan Blade Included
 - Shaft: 7/32" x 1 3/4"
- Replaces: Nutone
C65878, VFM100, 33-100,
EM550

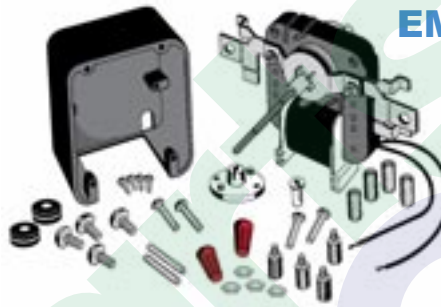
EM670



UTILITY FAN MOTOR

120V 1-Speed 5/8" Stack
Shaft: 1 1/4" Long x 3/16" Dia.

EM999



UNIVERSAL EVAPORATOR FAN MOTOR KIT

• 115V • 1-Speed

5½" 40°C BLOWER MOTORS



ECONOMISER 3-SPEED

40°C DIRECT DRIVE BLOWER MOTORS

- Sleeve Bearings
- 3 Speed
- 1075 RPM
- Reversible
- 1/2" x 4" Shaft w/Flat
- Open Enclosure
- PSC

HP	Amps	Volts	Cap.	Part No.
1/4	4.2 - 2.4 - 2.0	115	5μ	PC3583
1/3	5.5 - 3.0 - 2.0	115	7.5μ	PC3585
1/2	7.5 - 4.5 - 3.0	115	10μ	PC3587
3/4	10.2 - 7.3 - 4.5	115	15μ	PC3589
1/4	2.0 - 1.1 - 0.9	208-230	5μ	PC3584
1/3	2.8 - 1.7 - 1.2	208-230	5μ	PC3586
1/2	3.6 - 2.3 - 1.6	208-230	10μ	PC3588
3/4	5.5 - 4.5 - 3.2	208-230	10μ	PC3590

ECONOMISER 4-SPEED MULTI-HP 40°C DIRECT DRIVE BLOWER MOTORS

- 2½" Mtg Rings
- Electrically Reversible
- 10μF370V Capacitor
- 48Y Frame
- Sleeve Bearing
- 5 x 1/2" Shaft/4" Flat
- 1075RPM/4 Speed
- Automatic Overload
- 40°C



H.P.	Volts	Amps.	Body Length	Shaft Length	Part No.
1/2 - 1/6	115	7.0	4.81"	5"	PC3463
3/4 - 1/5	115	9.1	4.81"	5"	PC3466
1/2 - 1/6	208/230	3.9	4.81"	5"	PC3464
3/4 - 1/5	208/230	3.9	4.81"	5"	PC3467

40°C DIRECT DRIVE BLOWER MOTORS CAPACITOR INCLUDED

- Sleeve Bearings
- PSC
- 1075 RPM
- Capacitor Included in the Box
- Reversible
- 1/2" x 6" Shaft w/Flat
- Open Enclosure

HP	AMPS	Speeds	Cap.	Length	Part No.
115 Volt					
1/2-1/3-1/4-1/5	7.7/5.5/4.2/3.3	4	10μ	5¼"	PCD701
1/6-1/8-1/10	2.5	3	5μ	4¼"	PCD928*
1/4-1/5-1/6	4.8/3.3/2.6	3	5μ	4"	PCD721
1/3-1/4-1/5	5.4/4.6/3.8	3	5μ	4¼"	PCD727
3/4-1/2-1/3	4.8/3.3/2.6	3	10μ	5½"	PCD728
208-230 Volt					
1/4-1/6-1/8	2.2/1.5/4.2/1.1	3	5μ	4"	PCD725
1/3-1/4-1/5	1.8	3	5μ	4¼"	PCD923
3/4-1/2-1/3	5.4/3.8/2.9	3	10μ	5½"	PCD729

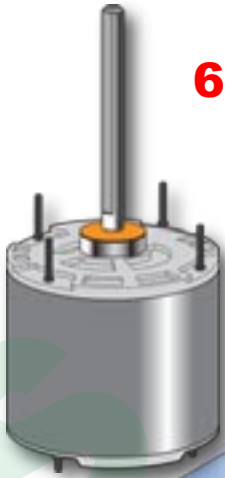


* Shaft 1/2" X 5½"

5 1/2" CONDENSER MOTORS

ECONOMISER

60°C TOTALLY ENCLOSED CONDENSER MOTORS



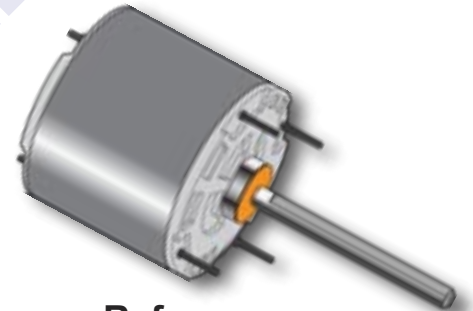
- 208-230V
- PSC
- Ball Bearings
- Reversible
- Single Speed
- 1/2" x 6" Shaft w/Flat

HP	Amps	RPM	Cap	Part No.
1/6	1.1	825	5µF370V	PC3403
1/4	1.5	825	5µF370V	PC3404
1/3	1.8	825	7.5µF370V	PC3405
1/2	2.7	825	10µF370V	PC3746
1/6	1.3	1075	5µF370V	PC3727
1/4	2.0	1075	5µF370V	PC3728
1/3	2.5	1075	7.5µF370V	PC3729
1/2	3.5	1075	10µF370V	PC3730
3/4	5.3	1075	10µF370V	PC3731

TOTALLY ENCLOSED CONDENSER MOTORS

Capacitor Included with Motor

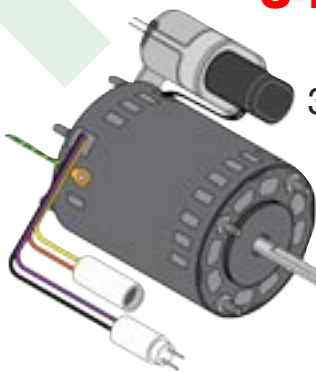
- Ideal for any angle mounting
- 208-230 VAC
- Electrically reversible
- CSA certified
- All angle mount bearings
- **Ball bearing**
- Thermally protected
- UL recognized
- Totally enclosed - both ends



HP	Volts	Amps	RPM	Body	Part No.	Reference
1/4	208/230	1.8	1075	4"	PCD7909	FS1026S, 43732, D7909
1/3	208/230	2.6	1075	4 1/2"	PCD7908	FS1037S, 43733, D7908
1/2	208/230	3.7	1075	5"	PCD7907	FS1056S, 43734, D7907

3-IN-1 BLOWER MOTOR

PCD1127



3.3" Dia. • 115/208-230V • 1 Speed
 • 1550RPM • 1/12-1/15-1/20 HP
 Emerson: 9650, 9651, 9652,
 9653, 9656, 9664

Century: 9721

Fasco: D1101, D1103, D1122,
 D1124, D1125, D1123, D1126,
 D1127, D1152, D1154, PD1125,

DIRECT DRIVE BLOWER MOUNTING KITS

For 5 1/2" & 5" motors
 For 9" & 10" bolt circles
 Grommets & eyelets included.



MB55 3 LEG



MB554 4 LEG

OVAL CAPACITORS

SINGLE OVAL RUN 370V 440V

Part No.	MFD	Part No.	MFD
O2-370	2	O2-440	2
O3-370	3	O2.5-440	2.5
O4-370	4	O3-440	3
O5-370	5	O4-440	4
O5-370WS	5	O5-440	5
O6-370	6	O6-440	6
O7.5-370	7.5	O7.5-440	7.5
O7.5-370WS	7.5	O10-440	10
O10-370	10	O12.5-440	12.5
O10-370WS	10	O15-440	15
O12.5-370	12.5	O17.5-440	17.5
O15-370	15	O20-440	20
O17.5-370	17.5	O25-440	25
O20-370	20	O30-440	30
O25-370	25	O35-440	35
O30-370	30	O40-440	40
O35-370	35	O45-440	45
O40-370	40	O50-440	50
O45-370	45	O55-440	55
O50-370	50	O60-440	60
O55-370	55	O70-440	70
O60-370	60	O80-440	80
O70-370	70		
O80-370	80		

WS = High Temperature

**Parts
Connect**



DUAL OVAL RUN 370V 440V

Part No	MFD	Part No	MFD
OD55-370	5+5	OD105-440	10+5
OD1010-370	10+10	OD154-440	15+4
OD153-370	15+3	OD155-440	15+5
OD154-370	15+4	OD1510-440	15+10
OD155-370	15+5	OD205-440	20+5
OD1510-370	15+10	OD2015-440	20+15
OD1755-370	17.5+5	OD255-440	25+5
OD203-370	20+3	OD2575-440	25+7.5
OD204-370	20+4	OD2510-440	25+10
OD205-370	20+5	OD2515-440	25+15
OD2010-370	20+10	OD304-440	30+4
OD1015-370	20+15	OD305-440	30+5
OD253-370	25+3	OD3075-440	30+7.5
OD254-370	25+4	OD3010-440	30+10
OD255-370	25+5	OD353-440	35+3
OD2575-370	25+7.5	OD354-440	35+4
OD258-370	25+8	OD355-440	35+5
OD2510-370	25+10	OD3575-440	35+7.5
OD2515-370	25+15	OD3510-440	35+10
OD303-370	30+3	OD403-440	40+3
OD305-370	30+5	OD405-440	40+5
OD3075-370	30+7.5	OD4075-440	40+7.5
OD3010-370	30+10	OD4010-440	40+10
OD353-370	35+3	OD455-440	45+5
OD354-370	35+4	OD4575-440	45+7.5
OD355-370	35+5	OD505-440	50+5
OD3575-370	35+7.5	OD5075-440	50+7.5
OD3510-370	35+10	OD555-440	55+5
OD403-370	40+3	OD5510-440	55+10
OD404-370	40+4	OD605-440	60+5
OD405-370	40+5	OD6510-440	65+10
OD4075-370	40+7.5	OD805-440	80+5
OD4010-370	40+10	OD8075-440	80+7.5
OD455-370	45+5		
OD4575-370	45+7.5		
OD4510-370	45+10		
OD4515-370	45+15		
OD505-370	50+5		
OD555-370	55+5		
OD5575-370	55+7.5		
OD605-370	60+5		
OD6075-370	60+7.5		
OD6010-370	60+10		



Capacitors are hermetically sealed for long life. The 370V capacitors replace the following voltages in MFD equivalent ratings: 236V, 250V, 285V, 330V & 350V. The 440V line will replace the 460V capacitors as all Capacitors can withstand over voltages of up to 10% of rating.

ROUND RUN CAPACITORS

SINGLE ROUND RUN 370V 440V

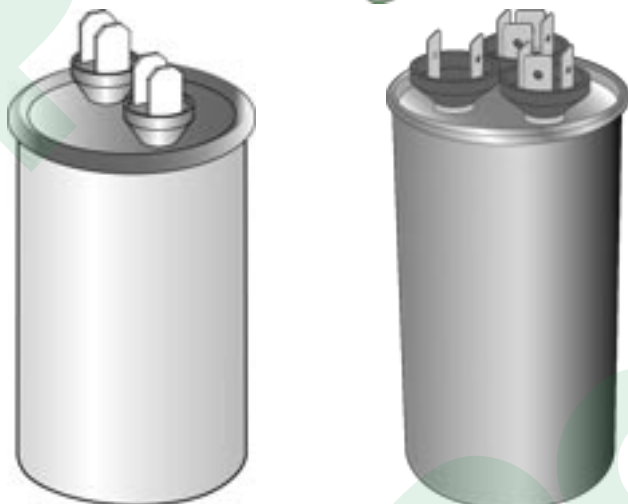
Part No.	MFD	Part No.	MFD
R5-370	5	R5-440	5
R7.5-370	7.5	R7.5-440	7.5
R10-370	10	R10-440	10
R12.5-370	12.5	R12.5-440	12.5
R15-370	15	R15-440	15
R17.5-370	17.5	R17.5-440	17.5
R20-370	20	R20-440	20
R25-370	25	R25-440	25
R30-370	30	R30-440	30
R35-370	35	R35-440	35
R40-370	40	R40-440	40
R45-370	45	R45-440	45
R50-370	50	R50-440	50
R55-370	55	R55-440	55
R60-370	60	R60-440	60
R70-370	70	R70-440	70
R80-370	80	R80-440	80
R100-370	100	R90-440	90

DUAL ROUND RUN 370V 440V

Part No.	MFD	Part No.	MFD
RD1010-370	10+10	RD105-440	10+5
RD154-370	15+4	RD205-440	20+5
RD155-370	15+5	RD2015-440	20+15
RD205-370	20+5	RD253-440	25+3
RD253-370	25+3	RD255-440	25+5
RD255-370	25+5	RD2575-440	25+7.5
RD2575-370	25+7.5	RD2510-440	25+10
RD303-370	30+3	RD2515-440	25+15
RD304-370	30+4	RD303-440	30+3
RD305-370	30+5	RD304-440	30+4
RD3075-370	30+7.5	RD305-440	30+5
RD3010-370	30+10	RD3075-440	30+7.5
RD353-370	35+3	RD353-440	35+3
RD354-370	35+4	RD354-440	35+4
RD355-370	35+5	RD355-440	35+5
RD3575-370	35+7.5	RD356-440	35+6
RD3510-370	35+10	RD3575-440	35+7.5
RD403-370	40+3	RD3510-440	35+10
RD404-370	40+4	RD403-440	40+3
RD405-370	40+5	RD404-440	40+4
RD4075-370	40+7.5	RD405-440	40+5
RD4010-370	40+10	RD406-440	40+6
RD453-370	45+3	RD4075-440	40+7.5
RD455-370	45+5	RD4010-440	40+10
RD4575-370	45+7.5	RD453-440	45+3
RD4510-370	45+10	RD455-440	45+5
RD503-370	50+3	RD456-440	45+6
RD505-370	50+5	RD4575-440	45+7.5
RD5075-370	50+7.5	RD4510-440	45+10
RD5010-370	50+10	RD505-440	50+5
RD555-370	55+5	RD5075-440	50+7.5
RD5575-370	55+7.5	RD555-440	55+5
RD5510-370	55+10	RD5575-440	55+7.5
RD605-370	60+5	RD5510-440	55+10
RD6075-370	60+7.5	RD603-440	60+3
RD6010-370	60+10	RD605-440	60+5
RD705-370	70+5	RD6075-440	60+7.5
RD7075-370	70+7.5	RD6010-440	60+10
RD7010-370	70+10	RD60125-440	60+12.5
RD805-370	80+5	RD705-440	70+5
RD8075-370	80+7.5	RD7075-440	70+7.5
RD8010-370	80+10	RD7010-440	70+10
RD80125-370	80+12.5	RD805-440	80+5
		RD8075-440	80+7.5
		RD8010-440	80+10

**OEM QUALITY
ROUND CAPACITORS**

**Parts
Connect**



A/C EVAPORATORS

“A” COIL UPFLOW



- Antimicrobial Additive Resists Mold and Mildew Growth
- High Temperature Polymer UV Resistant Pan
- External Mounted Flator Metering Device
- Foil Faced Insulation • Rifled Tubing
- Left & Right Hand Service Available
- The Fitting Access Direction is Indicated with L or R at end of the Part Number (Right is also available)
- Enhanced Fin Design • Five (5) Year Warranty

R410A 13 SEER COMPATIBLE EVAPORATORS (PISTON)



13 SEER UNCASED Dimensions

BTU	Steel Coil	W	D	H
24,000	13U24-4L	13"	19½"	11"
30,000	13U30-4L	13"	19½"	13"
36,000	13U36-4L	14"	19½"	15"
42,000	13U42-4L	15½"	19½"	19"
48,000	13U48-4L	17"	19½"	21"
60,000	13U60-4L	20"	19½"	25"

13 SEER CASED Dimensions

BTU	Model No.	W	D	H
24,000	13C24-4L	14½"	20½"	16½"
30,000	13C30-4L	17½"	20½"	16½"
36,000	13C36-4L	17½"	20½"	16½"
42,000	13C42-4L	21"	20½"	20½"
48,000	13C48-4L	21"	20½"	22½"
60,000	13C60-4L	24½"	20½"	25½"

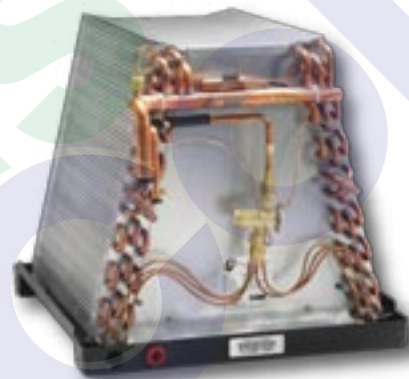


* The Fitting Access Direction is Indicated with L or R at end of the Part Number (Right is also available)

EVAPORATOR COILS FOR MANUFACTURED HOUSING

- Sloped drain pan for lower water retention
- 5 year warranty on “MH” series coils
- Downflow drip shields are molded into drain pan
- Down-turned headers for easy lineset adaption
- R22 orifice factory installed. R410A compatible

Tonnage	Model	W	D	H
2.5 - 3	MH36	18"	19½"	15"
3.5 - 4	MH48	18"	19½"	19"



A/C EVAPORATORS

13 SEER COPPER HORIZONTAL COILS

Side refrigerant service, bi-flow airflow, dual drains on either side with R-410A Piston & threaded TXV access port

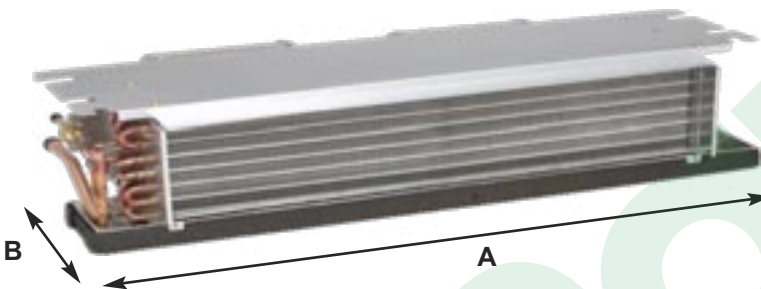
- Rifled copper tubing.
- Short cabinet with easy access.
- Lanced fin design.
- Dual 3/4" FPT condensate drains on front and back of coil allows placement to accommodate left or right airflow furnaces.
- Side panel with only six screws for fast and easy coil access
- Refrigerant connections are 3/8" ODF liquid and 7/8" ODF suction.
- Non-captive panels allow access to inside of cabinet without the need to cut refrigerant lines.



BTU	Model No.	W	D	H	Piston
24,000	13H24S14	14¼"	21½"	21½"	53
36,000	13H36S14	14¼"	21½"	26½"	67
36,000	13H36S17	17½"	21½"	26½"	67
48,000	13H48S17	17½"	21½"	26½"	76
48,000	13H48S21	21"	21½"	26½"	76
60,000	13H60S21	21"	21½"	26½"	93
60,000	13H60S24	24½"	21½"	26½"	93

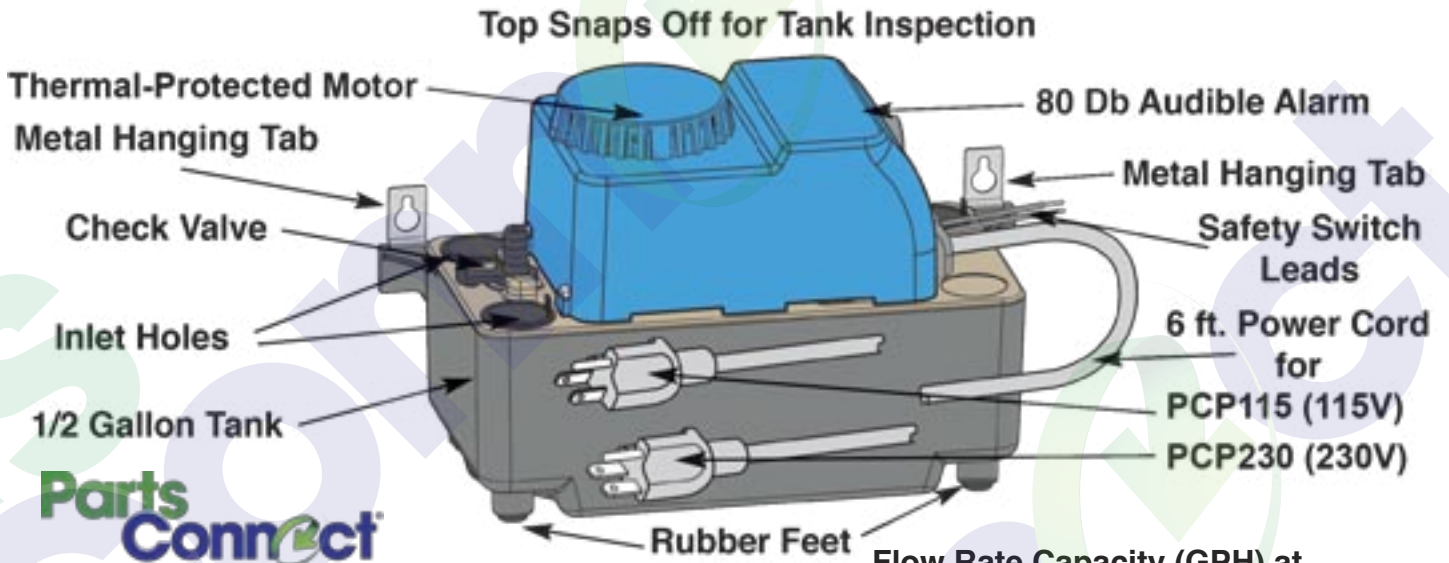
FUR DOWN COILS

Model	Heat	A	B	C	Blower	2 Speed PSC Airflow (CFM) vs. External Static Pressure (inches W.C.)				
						0.1	0.2	0.3	0.4	0.5
AH18FDNH	NA	37"	19.5"	10.5"	Low	610	536	468	392	316
AH18FD05	5kw				High	680	607	532	456	368
AH23FDNH	NA	37"	19.5"	10.5"	Low	846	777	702	627	546
AH23FD05	5kw				High	902	830	755	667	589
AH24FDNH	NA	43"	20.5"	10.5"	Low	833	781	725	658	580
AH24FD05	5kw				High	1039	976	903	825	728
AH30FDNH	NA	49"	20.5"	10.5"	Low	839	771	706	644	553
AH30FD08	8kw				High	1050	975	900	820	744



AH**FNDH - fur down AH with no heat
 AH***05 - 5kw heat with pull disconnect
 AH***08 - 8kw heat with pull disconnect

CONDENSATE PUMP WITH AUDIBLE ALARM MAXIMUM WORK LIFT 20 GPH TO 20 FT.



Part No.	Volts	Amps	HP	Flow Rate Capacity (GPH) at						
				1 ft	5 ft	10 ft	15 ft	20 ft	22 ft	24 ft
PCP115	115	1.5	1/10	99	87	69	48	20	10	0
PCP230	230	0.8	1/10	96	83	64	42	12	2	0



FLOOD DETECTOR WITH AUDIBLE ALARM

A solid state device designed to detect the presence of condensate water overflow. Upon sensing moisture, the audible alarm will sound, and will turn the system off to help prevent damage to carpets, walls, woodwork, ceilings and other property. The area to be monitored can be enlarged by connecting one or more FD1 Flood Detectors in series.

FD1

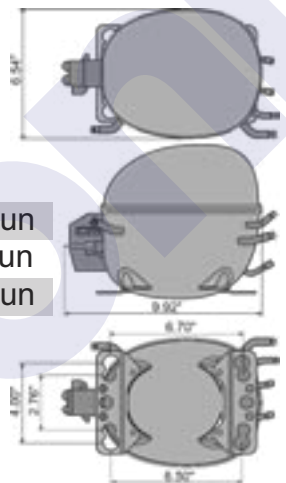
Refrigerator Compressors

1/4 HP • R134a • 110/120V 60 Hz • LBP
4" X 6" Footprint, Includes Electricals,
Grommets & Sleeves. Relay (PTC) Start



Part No.	SECOP	BTU	Style
PC660L	NF6FK	660	RSCR Relay Start (PTC) Capacitor Run
PC836L	NF7FK	836	RSIR Relay Start (PTC) Induction Run
PC990L	NF9FK	990	RSCR Relay Start (PTC) Capacitor Run

Compressor	Cu. Ft./ BTU Side X Side	Cu. Ft./ BTU Top Freezer	Cu. Ft./ BTU Upright Freezer	Cu. Ft./ BTU Chest Freezer
PC660L		10-12 ft ³ (650)	14 ft ³ (685)	7-12 ft ³ (660)
PC836L	20-22 ft ³ (815)	14-26 ft ³ (815)	17-21 ft ³ (750)	12-20 ft ³ (815)
PC990L	24-28 ft ³ (1065)	-	-	21-25 ft ³ (1065)



SECOP COMPRESSORS

The Secop range of hermetic reciprocating compressors packs a mighty punch in a small package. Compact design, efficient motors and low energy consumption are the main features in hermetic compressors that build on over 50 years of reliability and quality.

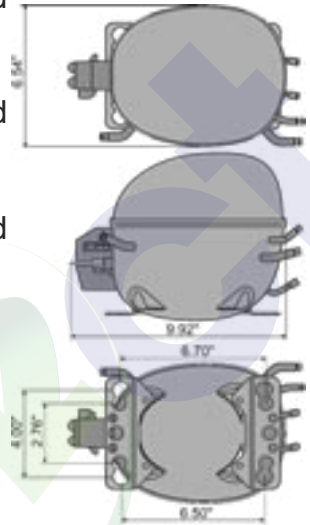
This chart contains information on Secop hermetic refrigeration compressors for fixed voltages ranging from 115 V to 240 V.

All of the compressor types are designed for refrigeration systems using the designated refrigerants listed below.

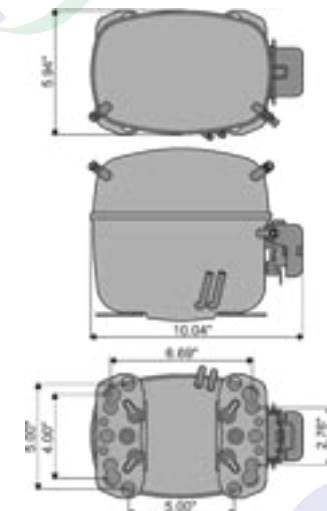
<u>Part No.</u>	<u>Capacity*</u>	<u>HP</u>	<u>Volts</u>	<u>H</u>	<u>Cross Reference</u>
R134a Models					
TFS4.5FT	477 LBP 1790 HBP	1/8	115	6.81"	EMI45HER AEA1338XYA EMI45HHR AEA3417YXA
NF6.1FX.2	722 LBP 2796 HBP	1/5	115	7.76"	FF8.5HBK AEA1360YXA FF7.5HBK AEA3425YXA
NF7.3FX.2	894 LBP	1/4	115	7.76"	FF10HBK
NF8.4FX.2	1032 LBP 3767 HBP	1/4	115	7.76"	NE2121Z AEA2410YXA FF10HBX AEA4430YXA
NF11FX	1101 LBP 4164 HBP	1/3	115	8"	NE2121Z AEA2410YXA NEK6187Z AEA4440YXA
NF11FX.2	1250 LBP 4840 HBP	1/4+ 1/3+	115	8"	FFI12HBX AEA2413YXA NE6210Z AEA4448YXA
SC15G	5606 HBP	1/2	115	8.23"	NT6213Z AEA4450YXA
SC18G	6291 HBP	1/2+	115	8.62"	NT6215Z AEA4460YXA
R404a Models					
TF4CLX	1530 LBP	1/5	115	6.81"	~ TP9415ZAA
TFS4.5CLX	929 LBP	1/4	115	6.81"	NEK2117GK AEA2380ZXA
NF5.5CLX	1250 LBP 3740 HBP	1/3	115	7.76"	NEK2121GK AEA2411ZXA NE6131GK AE4440Z
NF7CLX	1545 LBP 4760 HBP	1/3+	115	8"	NEK2125GK AEA2411ZXA NE6120GK AKA9438ZXA
SC10CL	1424 LBP	1/3	115	8.23"	NEK2134GK AEA2419ZXA
SC12CL	2382 LBP	1/2	115	8.23"	NEK2150GK AEA2425ZXA
SC12CLX.2	2472 LBP	1/2	115	8.23"	NT2168GKV AEA2425ZXA
SC15CLX.2	3011 LBP	3/4	115	8.62"	NT2178GKV AJB2433ZXA
SC15CLX.2-2	3011 LBP	3/4	240	8.62"	NT2178GKV AJB2433ZXA
SC18CLX.2-2	3666 LBP	3/4	240	8.62"	NT2180GKV AJB2444ZXD
SC12MLX	7909 HBP	1/2+	115	8.62"	NT6220GKV AKA9455ZXA
SC12MLX-2	7909 HBP	1/2+	240	8.62"	NT6217GKV AJA7455ZXD
SC15MLX	9433 HBP	3/4	115	8.62"	NT6222GKV AJE513ZHZ
SC15MLX-2	9433 HBP	3/4	240	8.62"	NT6222GKV AJE513ZHD1
SC18MLX	11135 HBP	1	115	8.62"	NT6224GKV ~
SC18MLX-2	11135 HBP	1	240	8.62"	NT6224GKV AJA7490ZXD

*Capacity BTU/Hr. @ LBP @ -10°F, HBP @ 45°F

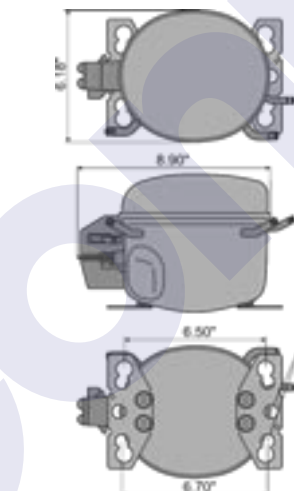
SECOP



NF Series



SC Series



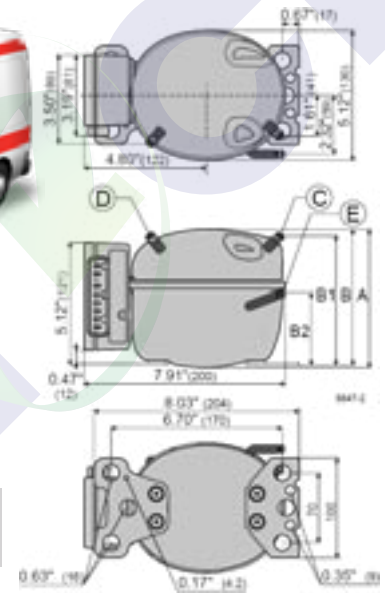
TF Series

SECOP COMPRESSORS

BD compressors are direct current (DC) compressors for 12/24 V DC power supply. Can be used in mobile refrigerators and freezers using R134a refrigerant. Used for transportation of items from 0°F - 46°F. For Cooling boxes from 18 - 150 liters.

Designed to meet harsh road conditions of a chassis mounted refrigerator. They are unsurpassed in their ability to tolerate changeable climatic conditions and vibrations. Also used in equipment to transport medicines, vaccines, blood plasma and organs.

The electronic unit is mounted on the compressor, no additional mounting is required.



SECOP

Direct Current Compressor R134a, 12/24V DC -30°C, +10°C Evap. Temp. Controller Included

Part No.	Application	Cooling Capacity	H	Cross Reference
BD35FHD2	LBP/MBP/HBP	15 - 140 W 51.15 - 277.4 BTU/Hr	5.39"	101Z0205
BD50F	LBP/MBP/HBP	20 - 190 W 68.2 - 647.9 BTU/Hr	5.39"	101Z0203



CONTROLLERS for BD35F/BD50F & MOUNTING KIT

Part No.	Description
101N0212	BD35/50F Controller
101N0420	Solar Controller
101N0510	AC/DC Controller

118-1949
Mounting Kit

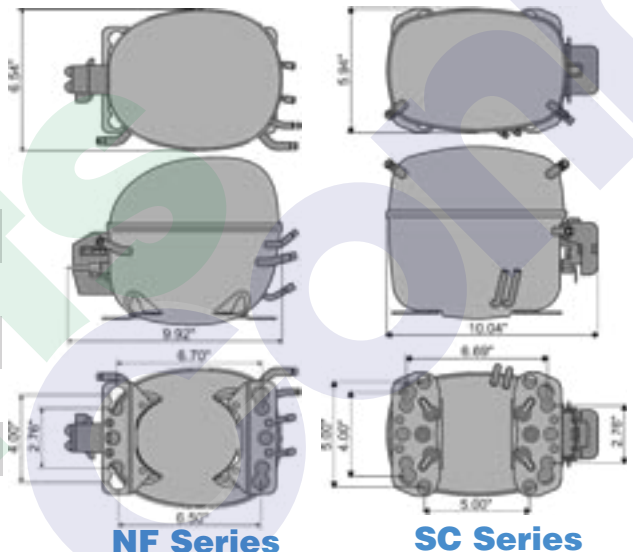


SECOP

COMPRESSORS for MANITOWOC

Part No.	Capacity*	HP	Voltage	Cross Reference
NF7CLX-1	1545 LBP	1/3+	115V	7601323, 8251193
SC15MLX-1	9433 HBP	3/4	115V	000002206
SC15MLX-2	9433 HBP	3/4	230V	000002207
SC18MLX-1	11135 HBP	1	115V	8253493

All above use R404a refrigerant



NF Series

SC Series

HARD START KITS & START RELAYS

START ASSIST Relay & Hard Start Capacitor

For systems with capillary tubes or fixed restrictors, a Positive Temperature Coefficient (PTC) hard start device is recommended. For applications where a backup safety timer is desired, use the PSA8 Electronic Potential Relay and Hard Start Kit.

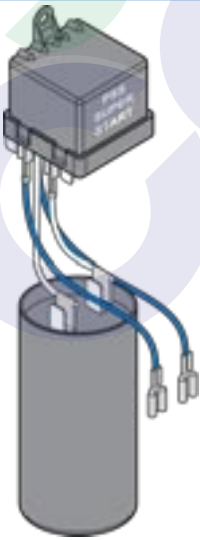


Part No.	Replaces	HP Range	Boost	Voltage
Positive Temperature Coefficient (PTC) Hard Starts				
PSA5	SPP5	1/2 - 10hp	300%	120V - 288V
PSA6	SPP6	1/2 - 10hp	500%	90V - 277V
PSA7	SPP7S	1½ - 10hp	600%	115V - 288V
Electronic Relay & Hard Start Capacitor				
PSA8	SPP8E	1/2 - 5hp	189-227µF	170V - 288V

THE ULTRA SERIES 2-WIRE MECHANICAL POTENTIAL RELAY & HARD START KIT

For use on all Single Phase Reciprocating, Scroll and Rotary compressors; 208V, 230V & 265V

- OEM Approved Technology • Voltage Sensing
- Easy 2-wire installation • Instant Restart



Part No.	Application	Replaces
PSS5	1 to 3 hp	Kickstart TO-5, MPR5
PSS1	3.5 to 5 hp	Kickstart KS-1, MPR1

3-n-1 Complete Start Series • Relay-Start Capacitor-Overload

A must have for truck stock - reduce callbacks - replace 1/12 to 1/2 hp.

Features

- Replaces relay, capacitor and overload for one low price
- Completely pre-wired, simply push on 3 female pin terminals
- "Push-on" compressor terminals, and 1/4" capacitor terminals
- Designed for modern high efficiency compressors
- Helps older compressors to start and run cooler
- Easy mount clip for quick installation
- Prevents low voltage starting problems
- Easy to read instructions

Applications

- Domestic Refrigerator Compressors to 1/2 hp
- Light Commercial Refrigeration Compressors to 1/2 hp.
- Works on "RSIR", "CSIR", "PSC", & "CSR" compressors

115 Volt
Systems WITH or
WITHOUT Run
Capacitor

Part No.	HP	RLA	Replaces
PCS210	1/3 - 1/2 HP	12a	URCO210, TQS21, 600-210
PCS410	1/4 - 1/3 HP	6a	URCO410, RCO410, ERPU410, ERP410, 600-410, WRX-4, TQS41, HS41
PCS810	1/12 - 1/5 HP	3.5a	URCO810, RCO810, ERPU810, ERP810, HS81, WRX-8, TQS81, 600-810



FLAME SENSORS

SP00401, SP00009
26" Lead 1/4" FE
SP105

SP104
SP00005

SP00001
Bracket 90°

SP00003
SP00007

SP00002

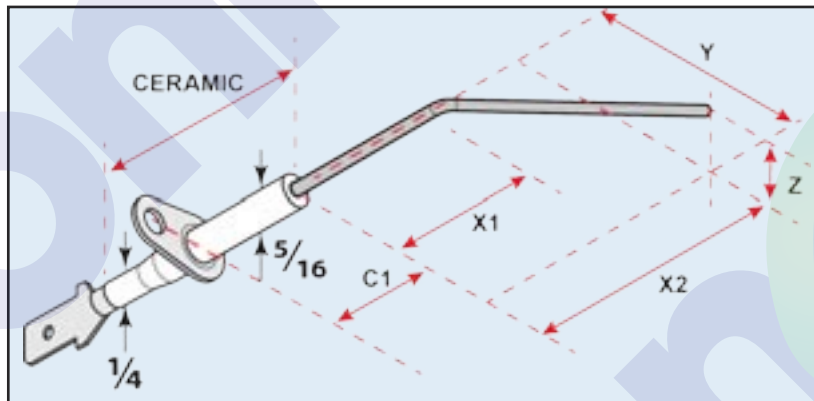
SP00010

SP00004

SP00008
Larger
Bracket

SP00011
3/16" Male

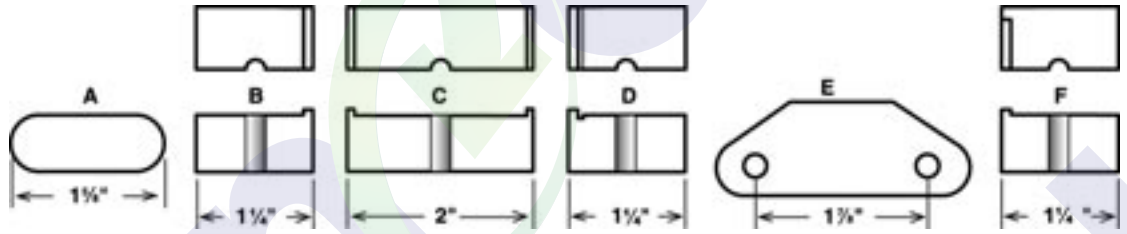
SP00006
SP00012



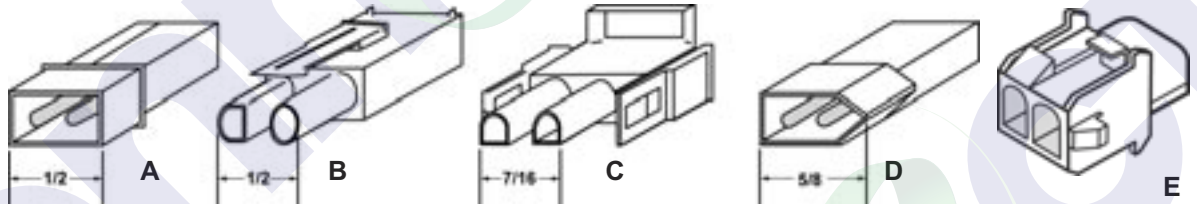
<u>Part No.</u>	<u>OEM</u>	<u>OEM PN</u>	<u>Ceramic</u>	<u>C1</u>	<u>X1</u>	<u>X2</u>	<u>Y</u>	<u>Z</u>
SP00401	RS=10-760	WR=760-401	1.5	0.875	3.0	26" Lead 1/4" FE		
SP104			1.0	0.4375	3.625			
SP105	Air Con Tech	AIC71075	1.5	0.875	2.0	18" Leads		
SP00001	YORK	025-27773-700	1.0	0.375	2.5			
SP00002	ICP	1380687	1.5	0.875	2.0			
	YORK	025-25434-700						
SP00003	CARRIER	LH680014	1.5	0.75	1.25	2.0	1.75	0.75
SP00004	CARRIER	LH680013	1.5	0.75	3.25			
SP00005	CARRIER	LH33WZ516	2.0	0.75	3.25			
SP00006	CARRIER	LH680012	1.5	0.75	1.25	2.0	1.75	
SP00007	CARRIER	LH33WZ515	1.5	0.75	1.25	2.0	1.75	
SP00008	GOODMAN	0130F00010	1.0	0.4375	2.0			
SP00009	ICP	1380679	1.5	0.875	2.0	26" Lead 1/4" FE		
SP00010	RHEEM	62-23543-01	1.5	0.75	1.75	-	0.875	0.875
SP00011	YORK	025-30788-700	2.75	2.375	1.75	3/16" Male		
SP00012	TRANE	30NX12	-	0.88	1.214	-	1.34	1.489

HSI IGNITORS

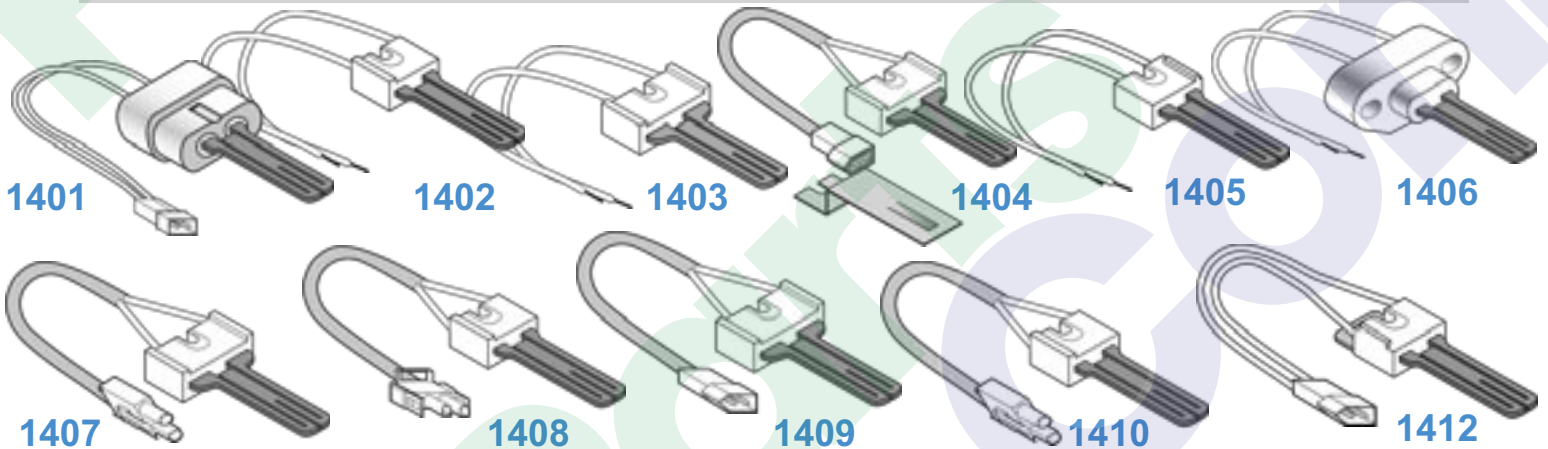
CERAMIC BLOCK CHART



TERMINAL BLOCK CHART



Part No.	Ref	OEM	OEM Ref.	Norton	Block	Terminal
1401	41-401	Goodman Rheem	B1336102 625019	201A & 271A	A	A
1402	41-402	Rheem Trane	625021 IG23	201N & 201W 271N & 271W	B	Wire Nuts
1403	41-403	Heil Trane	1380654 IGN26, IGN30	271M	C	Wire Nuts
1404	41-404	Rheem Weil McLain	1096048 511-390-190	271M	C	D
1405	41-405	York	025-27766-000	271D	D	Wire Nuts
1406	41-406	Weil McLain	511-330-193	271Y	E	Wire Nuts
1407	41-407	Trane	B144676P02 IG30	271	C	B
1408	41-408	Rheem Trane	62-22441-01 62-22868-92 IGN0034	271N	B	C
1409	41-409	Carrier Rheem Trane	LH33ZS001, 2, 3, 4 625020 IG26	271N	A	D
1410	41-410	Rheem Trane	65015 B144676P01	271N	B	B
1412	41-412	ICP Rheem	1009604 65024	271NM	F	D



HSI IGNITORS

UNIVERSAL IGNITOR KITS

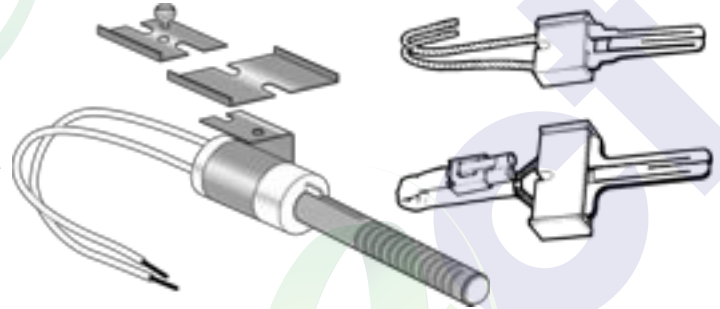
WILL REPLACE: 41-402, -403, -405, -407, -408, -409, -410

• *Excellent Truck Stock Items!*

AF1000 (IG1000)

UNIVERSAL IGNITOR

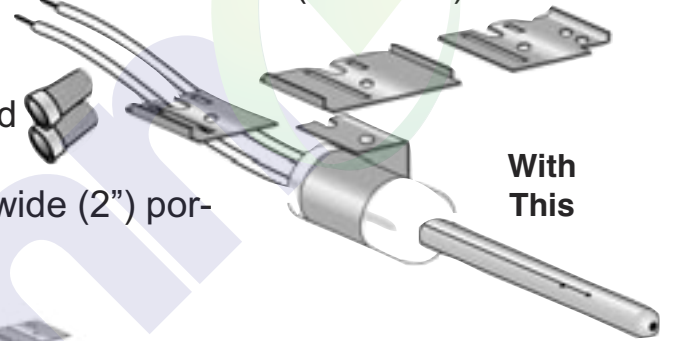
This special ignitor and bracket kit will **replace over 70 part numbers** for this style ignitor. This kit can be used to replace both the narrow (1¼") and wide (2") porcelain block Norton furnace ignitors. Boxed complete with instructions.



120V UNIVERSAL IGNITOR KIT

Replaces most Silicon Carbide HSI Igniters. Compatible with all 17, 34, & 45 second warm-up modules. Use available adapter brackets & kits to expand the areas of functional applications. This kit can be used to replace both spiral or the narrow (1¼") and wide (2") porcelain block Norton furnace ignitors .

AFN067 (CMS067)



With
This

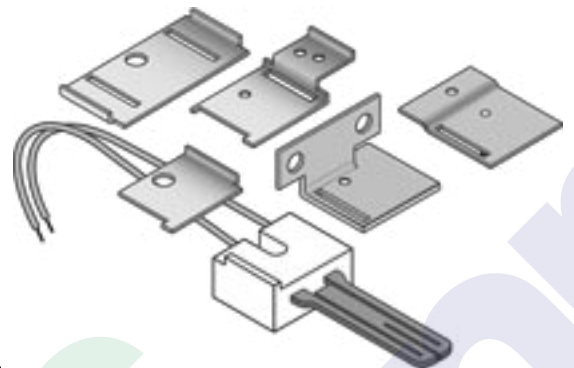


Replace
These

AF4000 (AN1090, DS001KA)

UNIVERSAL IGNITOR

This special ignitor and bracket kit will **replace over 70 part numbers** for this style ignitor. This kit can be used to replace both the narrow (1¼") and wide (2") porcelain block Norton furnace ignitors. Boxed with 5 brackets.



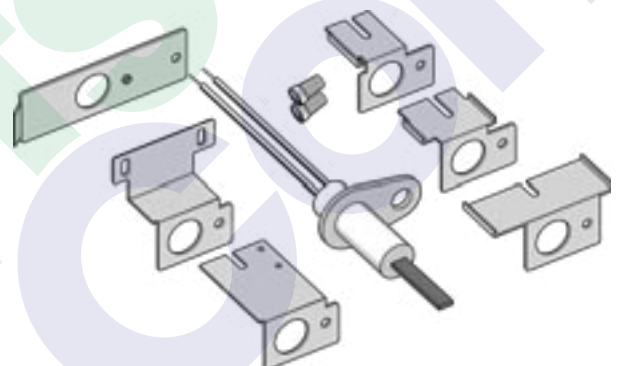
UNIVERSAL SILICON NITRIDE MASTER HSI IGNITOR KIT

SN069KX

Replacement for Q3200U1004 & others

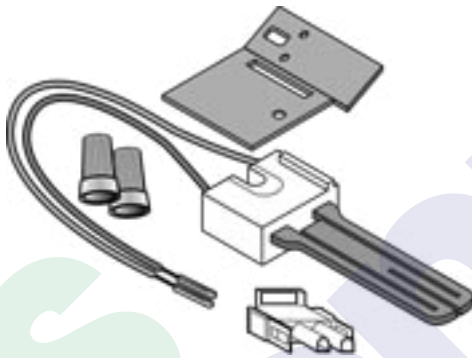
Features:

- Nominal line voltage igniter
- No need for additional costly controllers.
- Drop in replacement for silicon carbide ignitors
- Almost unbreakable



HSI IGNITORS

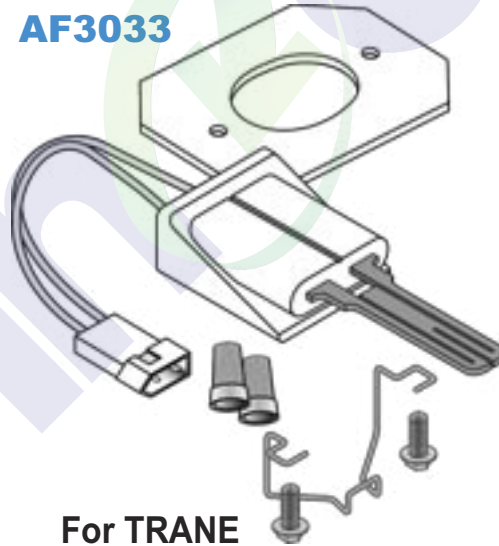
AF758



For NORDYNE

Replaces:
903758

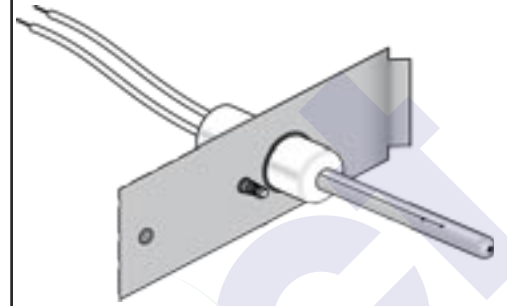
AF3033



For TRANE

Replaces: KIT03033

CM601

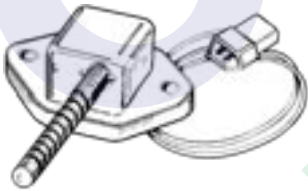


For CARRIER

Replaces:
LH33ZS001A, LH33ZS002A,
LH33ZS003A, LH33ZS004A

SPIRAL FURNACE IGNITORS

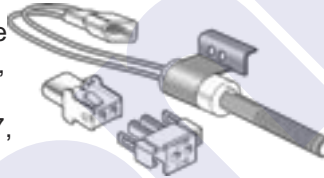
AF100 (IG100)



Used On
Trane
Package
Units

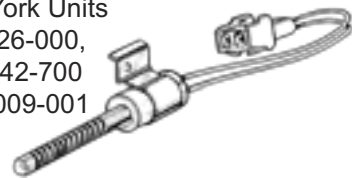
AF101 (IG101)

Used on Nordyne
Intertherm, Miller,
York, & LuxAire
Replaces: FC007,
902661

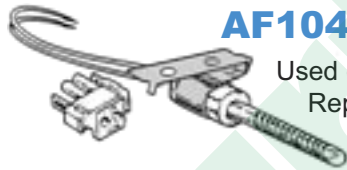


AF102 (IG102)

Used On York Units
025-32626-000,
373-05342-700
473-125009-001



AF104 (IG101)



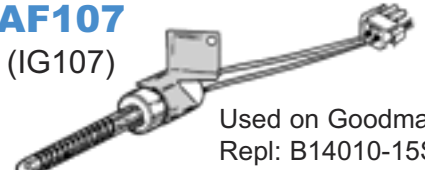
Used on Nordyne
Repl: FC047C,
903110

AF106 (IG106)



Weil McLain
511-330-193

AF107 (IG107)



Used on Goodman
Repl: B14010-15S

TOOL BAG WITH RUBBER BASE



- Black/Red Tool Bag w/ Rubber Base
- Made of Strong 600D Polyester Material
- Rubber Bottom for Extra Protection
- Includes Shoulder Strap & Handle
- 10 Inside Pockets
- 14 Pockets, 2 Loops Surrounding Bag Outside

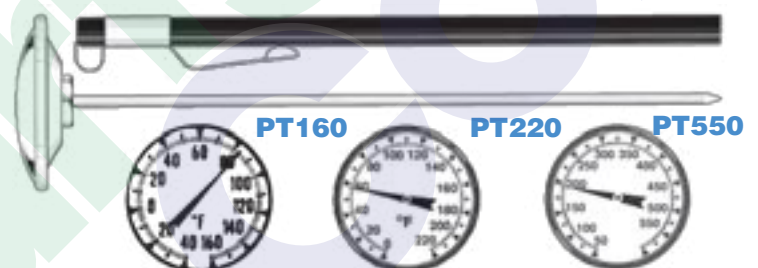
Parts
Connect®

PC13025

MECHANICAL 1" DIAL POCKET THERMOMETERS

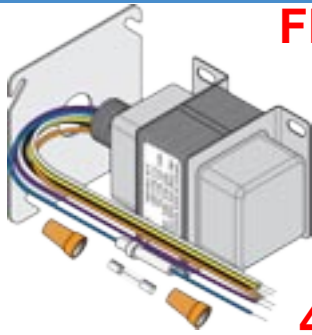
Part No.	Range
PT160	-40 - 160°F
PT220	0 - 220°F
PT550	+50 - 550°F

- 5" Stem
- Pocket Sheath & Clip
- Recalibrateable
- Magnifying Lens



TRANSFORMERS

FIT-ALL MULTITAP PLATE/FOOT MOUNT

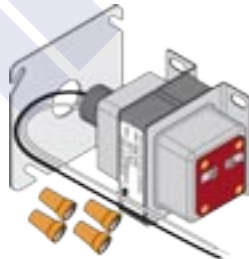


24 VOLT TRANSFORMER WITH 2.5 V GLOW COIL TAP
 IDEAL FOR SERVICE TRUCK STOCK
 HAS PRIMARY TAP OPTIONS OF 120, 208, & 240 VAC
 AND SECONDARY TAPS FOR 24, 12, OR 2.5 VAC
 RATED 50 VOLT-AMPERES MAXIMUM

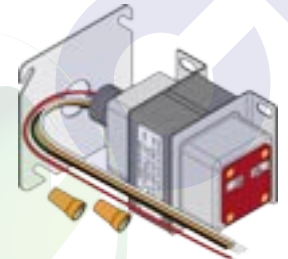
TPF424-50

40 VA PLATE/FOOT MOUNT 24V TRANSFORMERS

Primary	Part No.
120	TPF124-40
208/240	TPF324-40
120/208/240	TPF424-40

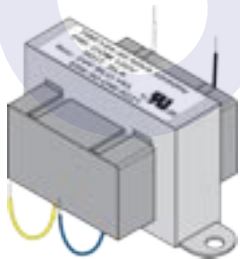


Parts
Connect



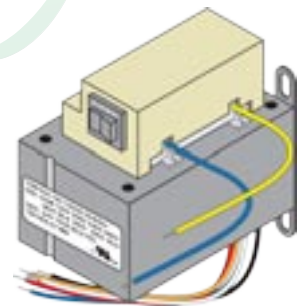
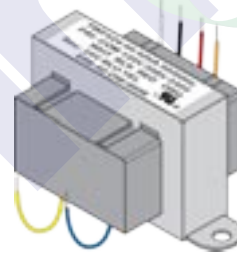
LONG-WAY FOOT-MOUNT FOR SPACE-SAVING INSTALLATIONS

24 VOLT SECONDARY



Primary	VA	Holes	Part No.
120	40	3 1/8"	TWF124-40
230	40	3 1/8"	TWF224-40
120/208/240	40	3 1/8"	TWF424-40
120/208/240/480	75	3 1/8"	TWF524-75*
120/208/240/480	100	3 1/8"	TWF524-100*

*Fused Secondary



AIR SENSING SWITCHES

Part No.	Description	Range	Temp. Range	Rating
PC020	Field Adj.	0.10" to 10.0" wc.	-40F to 190F	1/10hp@120-277VAC
PCS221	Fixed Set Pt.	On Press. Rise At 0.05±0.02" w.c.	-40F to 180F	15 Amps noninductive 277VAC
PC400	Field Adj.	0.15" wc to 5.0" wc.	-40F to 180F	300VA Pilot Duty
2374-495	Field Adj.	0.25" wc to 1.0" wc.	-40F to 190F	115-277VAC 60Hz
2374-498	Field Adj.	1.0" wc to 4.0" wc.	-40F to 190F	
PC460	Field Adj. Manual Reset	0.40"wc To 12.0"wc.	-----	1/4hp@125VAC 1/2hp@250VAC
PS606	Universal Air Flow Sample Probe & Tubing Kit			



PS606



PC020



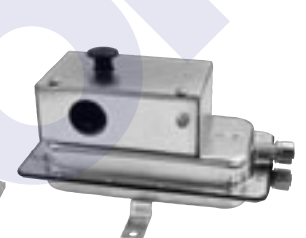
PC221



PC400



2374-495
2374-498

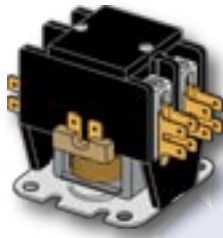


PC460

CONTACTORS

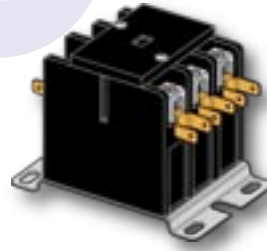


One Pole



Two Pole

Parts
Connect



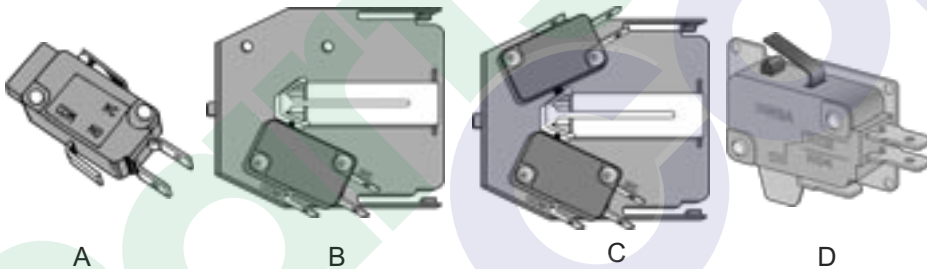
Three Pole



Four Pole

Coil <u>A = 24V</u>	Coil <u>B = 120V</u>	Coil <u>C = 240V</u>	<u>Poles</u>	<u>Full Load</u>	<u>Locked Rotor</u>	<u>Resistive</u>	<u>Auxiliary Switch</u>
PC130A	PC130B	PC130C	1	30	180	50	-
PC140A	PC140B	-	1	40	240	50	-
PC230A	PC230B	PC230C	2	40	240	50	-
PC240A	PC240B	PC240C	2	40	240	50	-
PC340A	PC340B	PC340C	3	40	240	50	-
PC350A	PC350B	PC350C	3	50	300	65	H6S or H7S
PC360A	PC360B	PC360C	3	60	360	75	H6S or H7S
PC375A	PC375B	PC375C	3	75	450	93	H9S
PC390A	PC390B	PC390C	3	90	540	120	H9S
PC440A	PC440B	PC440C	4	40	240	50	H6S or H7S

AUXILIARY SWITCHES USED WITH 3 & 4 POLE CONTACTORS



<u>Style</u>	<u>Part No.</u>	<u>Type</u>	<u>Amps</u>
B	H6S	SPDT	25-40
C	H7S	DPDT	25-40
A	H8S	SPDT	50-60
D	H9S	SPDT	70-90

- 10 Amp @ 1/3 HP, 125 or 250 VAC.
- 1/2 Amp @ 125 VDC.
- 1/4 Amp @ 250 VDC.

MAGNETIC LINE CONTACTOR

DPST - N.O. 60/50 Hz
(90-230,18001, MC11, 3ARR8E4)



Designed for use in Air Conditioning, Heating/Ventilating Control System, Motor Starting, Heating Element Operation, & Power Supply Control.

Coil 24 Volt • Full Load Amps 30 LRA • 120V Single Phase

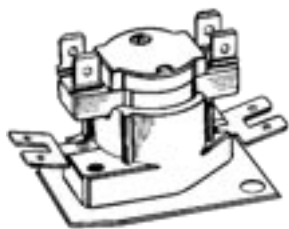
PCC18001

ELECTRIC HEAT SEQUENCERS

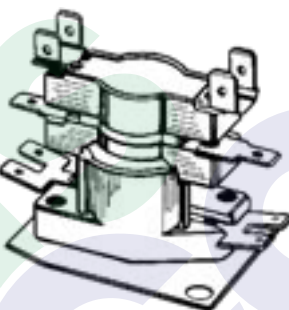
Direct replacement for most fan and heat sequencing functions

- 24 Volt input control • Solid State. Quick Connect Terminals

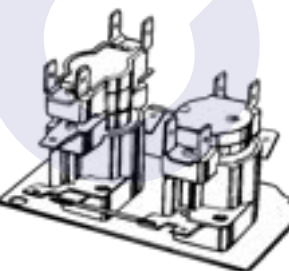
Parts
Connect



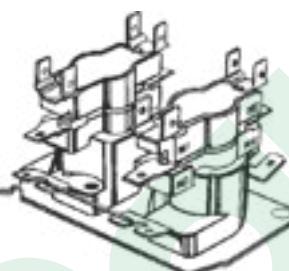
PCQ101 Q101 TDR10 OFF 40-110 Sec.
33241 GS101 ON 1-20 Sec.
24A34-1



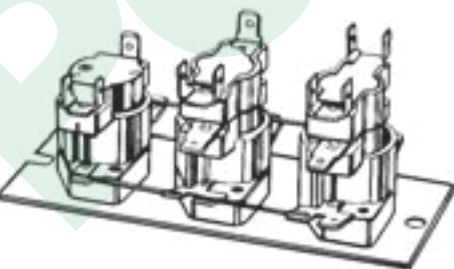
PCQ102 Q102 TDR15 OFF 1-30 Sec.
33242 GS102 ON 30-90 Sec.
24A34-2



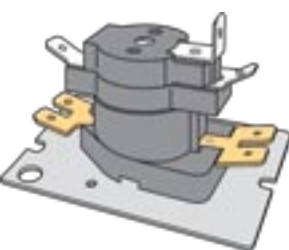
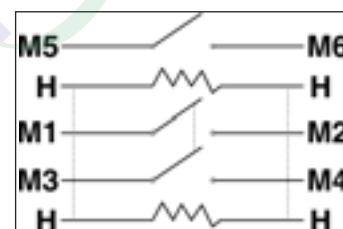
PCQ103 Q103 TDR20 OFF 40-110 Sec.
33244 GS103 ON 1-20 Sec.
24A34-3



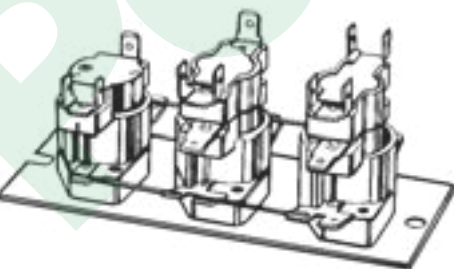
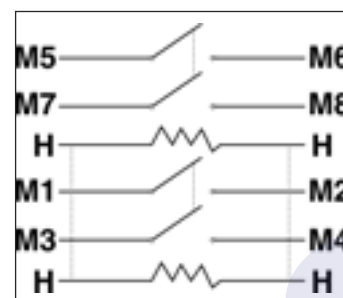
PCQ104 Q104 TDR25 OFF 1-30 Sec.
33245 GS104 ON 30-90 Sec.
24A34-4



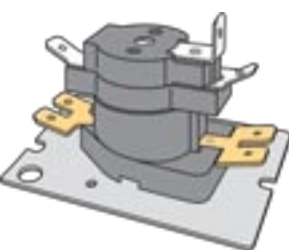
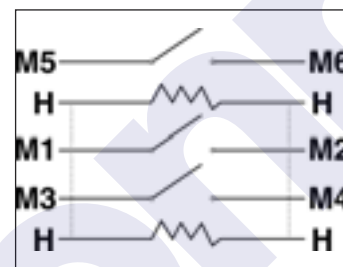
PCQ105 Q105 TDR30 OFF 1-110 Sec.
33232 GS105 ON 1-110 Sec.
24A34-5



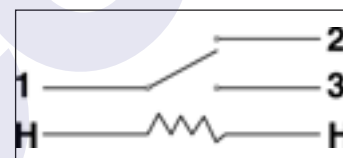
PCQ106 Q106 GS106 OFF 1-30 Sec.
33233 ON 30-90 Sec.
24A34-6



PCQ107 Q107 OFF 40-110 Sec.
15SH41 ON 1-20 Sec.
GS107



PCQ108 Q108 OFF 65-115 Sec.
GS108 ON 1-25 Sec.
GOODMAN B1370738



ELECTRIC HEAT

GENERAL PURPOSE RESTRING COIL KITS

Restring kits are complete with terminal insulators, screws, washers & nuts. Coil wire is in a tight coil with 11/32" max. o.d. Packed in polybag with instructions. Select desired wattage-Order by Part Number.



Part No.	Watts at 240V 208V	Part No.	Watts at 240V 208V
DH500	5000 3750	DH507	3000 2250
DH501	3500 2625	DH512	4750 3563
DH502	2000 1500	DH516	4666 3500
DH503	2500 1875	DH520	6600 4950
DH505	4500 3375	DH534	6000 4500
DH506	4000 3000	DH556	3300 2475

5/8" O.D. GENERAL PURPOSE COIL KITS

Part No.	Connector	Watts	Volts
DH500FC	1/4" Spade	5,000	240
DH500FCB	Bolt	5,000	240
DH506FC	1/4" Spade	4,000	240
DH506FCB	Bolt	4,000	240
DH501FC	1/4" Spade	3,500	240
DH501FCB	Bolt	3,500	240
DH501-4FC	1/4" Spade	3,500	277

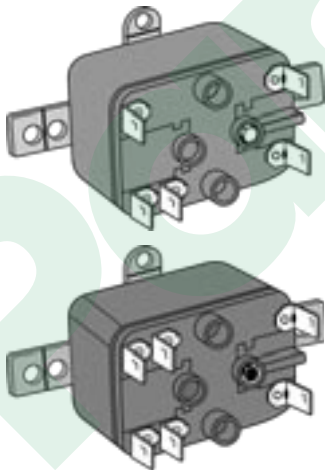


Large open coil heaters for wall furnaces, duct heaters, electric furnaces, bathroom heaters & combination units. Coil is terminated with 1/4" spade terminal, butt screws, bushings, nuts & instructions for converting to other connections included.

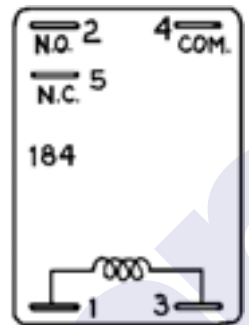
RBM STYLE RELAYS Type 184

Totally enclosed relays for fan motors and many general purpose applications.

QUICK CONNECT - 1/4" SPADE TERMINALS



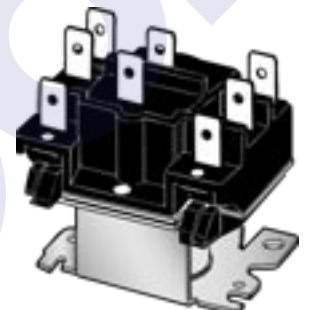
Switch	Wires	Coil	Part No.
SPST N.O.	4	24V	PC90-360Q
SPDT	5	24V	PC90-370Q
SPDT	5	120V	PC90-372Q
SPDT	5	208/230V	PC90-374Q
2P-1N.O., 1N.C.	6	24V	PC90-380Q
2P-1N.O., 1N.C.	6	120V	PC90-382Q
2P-1N.O., 1N.C.	6	208/230V	PC90-384Q



184 SERIES
12 AMPS IND.
18 AMPS RES.

GENERAL PURPOSE RELAYS TYPE 91

Part No.	Replaces Honeywell	Coil Volts	Switch	FLA@	
				120V	240V
PC90-341	R4222D1013	120	DPDT	12	6
PC90-342	R4222D1021	208/240	DPDT	12	6
PC90-340	R8222D1014	24	DPDT	12	6



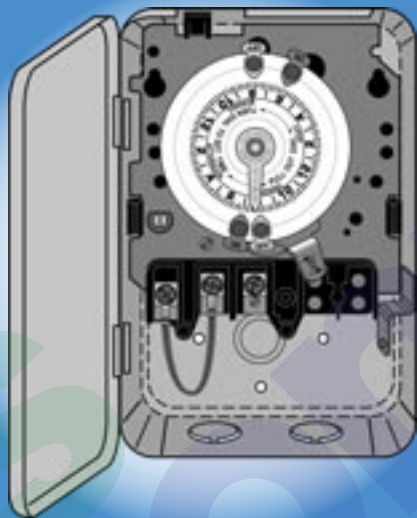
GENERAL PURPOSE TIMERS

24 HOUR ELECTRO-MECHANICAL TIME CONTROLS

Features:

- Dial: 24 Hour, 2 ON and 2 OFF trippers.
- Switch Rating: 2 hp at 120 volts and 5 hp at 240 volts.
- Operations: Up to 10 ON/OFF operations per 24 hours.
- Minimum Setting: 1 hr. between ON/OFF, 2 hr. between OFF/ON.
- Enclosure: Non corrosive NEMA 1.
- For additional tripper pairs, order part number **STPIN**.

- Steel Case Dimensions: 7.9" X 5.3" X 3"(20cm X 13.5cm X .7cm)
- Unit Weight: 2.87 lbs. (1300 grams)
- Temperature Range: -22°F to 158°F (-30°C to 70°C)



<u>Part No</u>	<u>Volts</u>	<u>Switch</u>	<u>Paragon</u>	<u>Intermatic</u>	<u>Precision</u>	<u>Supco</u>
T101	120	SPST	4001-00	T101	CD101	ST101
T102	240	SPST	4002-71	T102	CD102	ST102
T103	120	DPST	4003-00	T103	CD103	ST103
T104	240	DPST	4004-71	T104	CD104	ST104

REFRIGERATION DEFROST CONTROL

Features & Benefits

- Heavy-duty synchronous motor.
- Adjustable defrost initiation freq. 1 to 6/day
- Adjustable defrost duration: 4 to 110 min
- Contact Arrangements: Electric heat, hot gas, or off cycle defrost.
- Heavy duty steel case w/ knockouts sides, back & bottom
- UL recognized

Specifications:

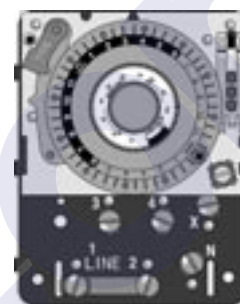
- 120 or 208/240 VAC 60 Hz
- 40 Amp non-inductive • Maximum HP: 2HP
- Pilot Duty: 670VA
- Operating Temperature Range: -35°F to +175°F
- Case Dimensions: 7.697" H x 4.4" W x 3.8" D
- Weight: DT8141 Series 3.75 lbs.



Time initiated - Pressure or Temperature Terminated

<u>Part No.</u>	<u>Voltage</u>	<u>NO</u>	<u>NC</u>
DT814500	120	1	1
DT814520	240	1	1

Replacement Drop-In Mechanism

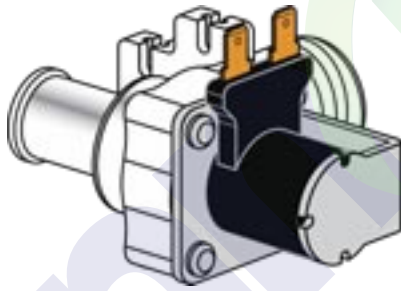


DT814520M

for S814520 or 8145-20

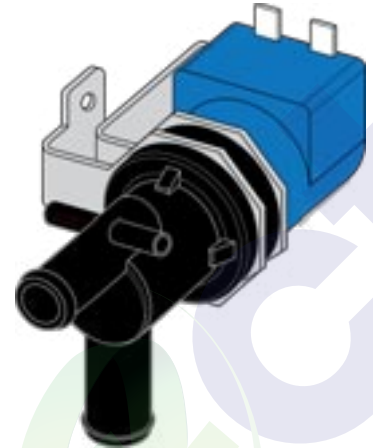
HOSHIZAKI ICE MACHINE

WATER VALVE



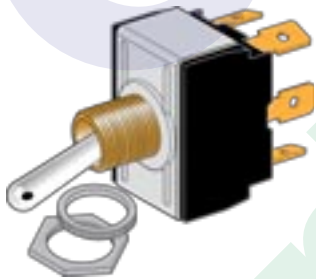
Part No.	Reference	Valve
CI11101	3U0111-01	J248-030
CI11102	3U0111-02	J248-032
CI11103	3U0111-03	J248-033
CI11104	3U0111-04	J248-072

WATER SOLENOID VALVE 120V



CI32201
(439322-01)

TOGGLE SWITCH



CI11901
(443119-01)

FLOAT SWITCH



CI62401
(4A3624-01)

CI62402
(4A3624-02)

PUMP MOTOR ASSM.

CI0613
(PA0613)

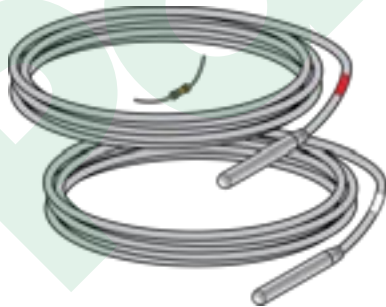


SILICONE HOSE 1 FT.



CI13812
(773013812)

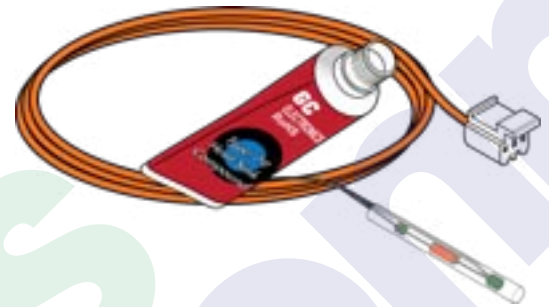
THERMISTOR KITS



CI3540
(HS-3540)

WITH SEAL

CI5005
(TS005)



HINGE SPRING CARTRIDGE (RIGHT)



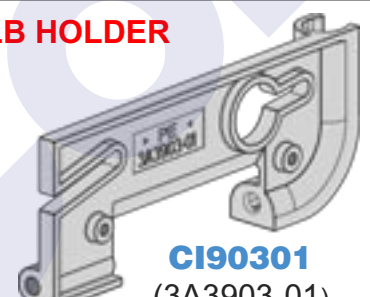
CI43801
(4A0438-01)

HINGE SPRING CARTRIDGE (LEFT)



CI43802
(4A0438-02)

BULB HOLDER

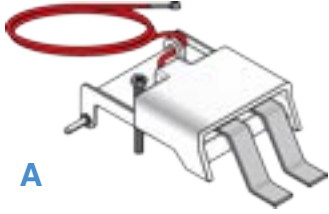


CI90301
(3A3903-01)

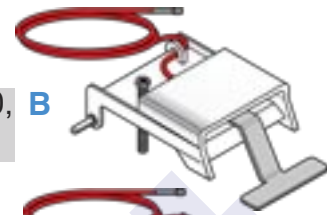
MANITOWOC ICE MACHINE

ICE THICKNESS SENSOR

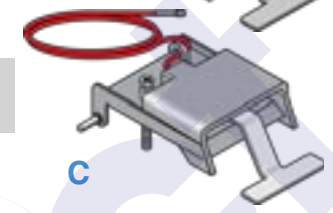
Part No.	Description	Series
CI9963 (7619963)	A 1/4" Terminals 29" Wire Leads	E0200, E0400, E0600 G0150, G0600, G0800, H0200
CI8029 (2008029)	B 5 3/8" X 3 1/4" 47" Wire Lead	CDV, JC, QY SD, SR, SY
CI7813 (7627813)	B 4" X 3 1/4" White	BD, BR, BY, JD, JR, JY, PY, PD, QD, QR
CI1603 (7601603)	C 4" X 3 1/4" Gray 14" Leads	Q, QD, QR, QY



A



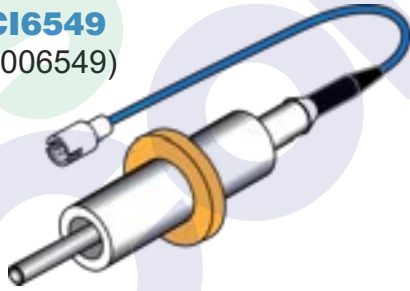
B



C

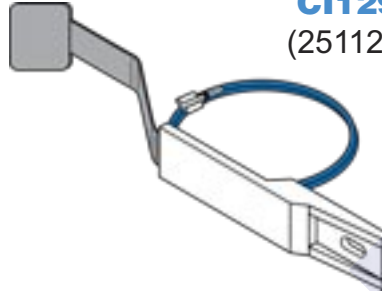
WATER LEVEL PROBE

CI6549
(2006549)



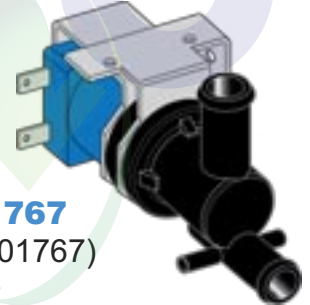
WATER LEVEL PROBE

CI1293
(2511293)

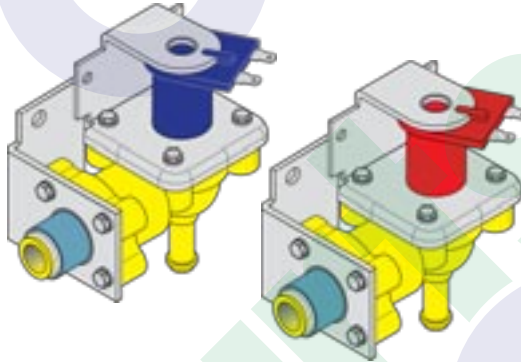


DISPENSE VALVE 120V

CI1767
(000001767)

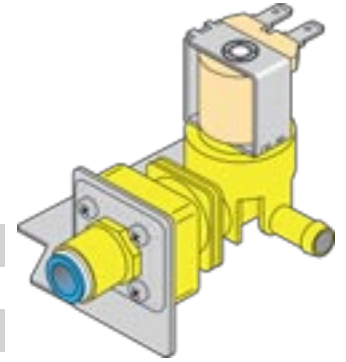


WATER INLET VALVE



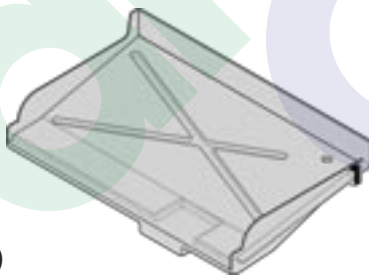
Part No.	Ref	Coil/Voltage
CI7965	000007965	Blue - 120V
CI7966	000007966	Red - 240V

Part No.	Ref	Coil/Voltage	Flow
CI9120	000009120	Tan - 120V	0.5 gpm
CI9122	000009122	Gray - 240V	0.78 gpm
CI9123	000009123	Tan - 120V	0.78 gpm



WATER CURTAIN

CI4643
(4304643)

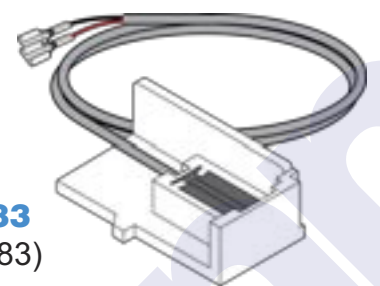


MAGNETIC BIN SWITCH

CI7888
(000007888)

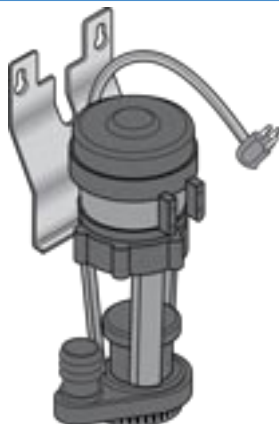


CI1483
(2301483)

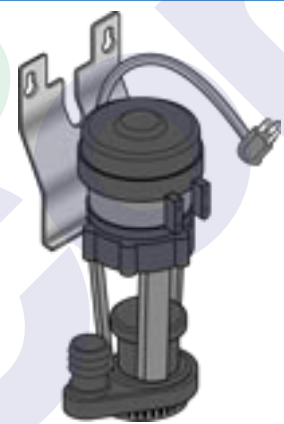


WATER PUMP

CI3063
(7623063)
120V

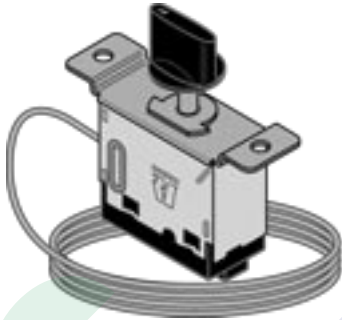


CI6013
(7626013)
230V



SCOTSMAN ICEMAKER

BIN THERMOSTAT CONTROL

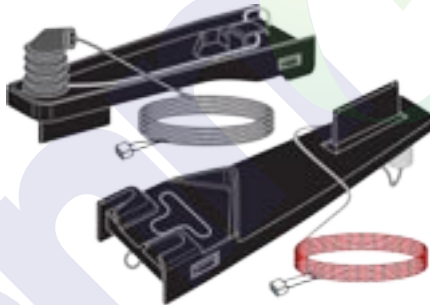


CI42722
(11-0427-22
A30-3722-00)

ICE LEVEL CONTROL

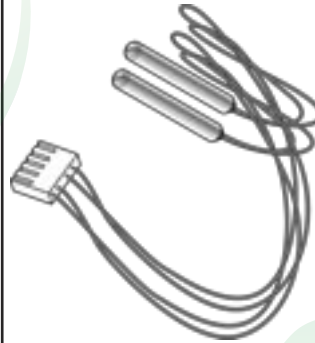
MUST BE REPLACED AS A SET.

One is a sender the other is a receiver. The one with the long (red & black) wires goes to the right side of the cabinet.



CI54021
(11-0540-21)

TEMPERATURE SENSOR



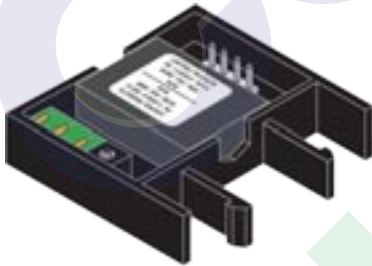
CI54521
(11-0545-21)

KIT W/CLIP



CI41021
(02-3410-21)

SUMP LEVEL CONTROL



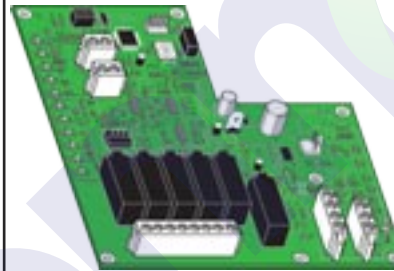
CI53951
(11-0539-51)

CM³ SERVICE CONTROLLER



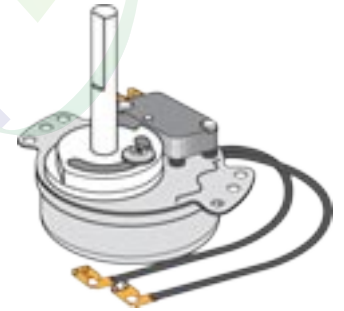
CI83824
(12-2838-24)

CONTROL BOARD (PRODIGY)



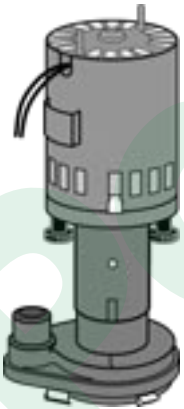
CI55027
(11-0550-27)

SWITCH & TIMER



CI31721
(12-2317-21)

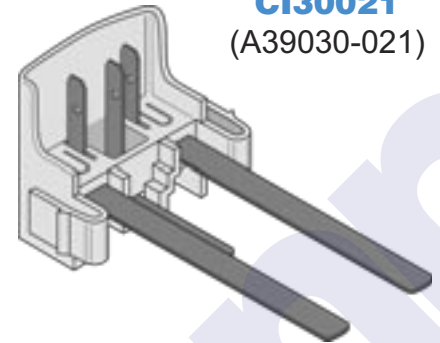
PUMP ASSEMBLIES



Part No.	Ref No.	Voltage
CI58621	12-2586-21 GPP-4SC-1FSA	120
CI58623	12-2586-23 GPP-4SC-2FSA	240
CI58627	12-2586-27 GPP-4SC-1FSC	120 (4.39 gpm)
CI71421	12-2714-21 GPP-6SC-4FS	240

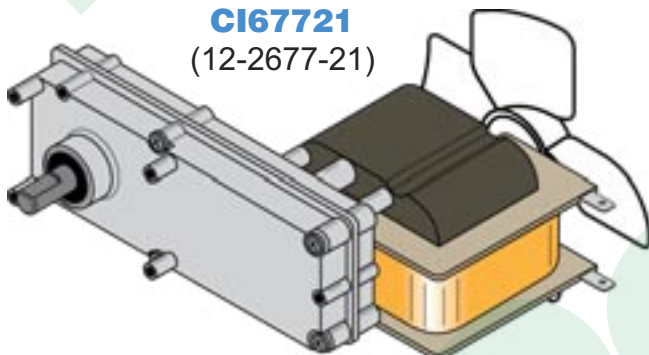
WATER LEVEL SENSOR

CI30021
(A39030-021)

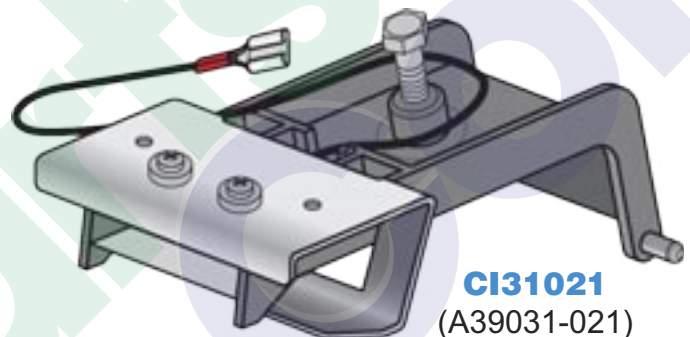


GEAR MOTOR WITH FAN 115V

CI67721
(12-2677-21)



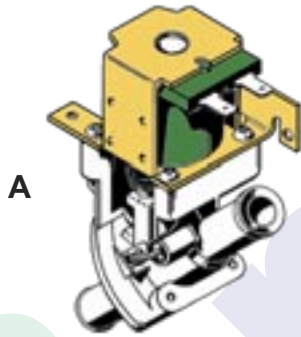
ICE THICKNESS SENSOR



CI31021
(A39031-021)

SCOTSMAN ICEMAKER

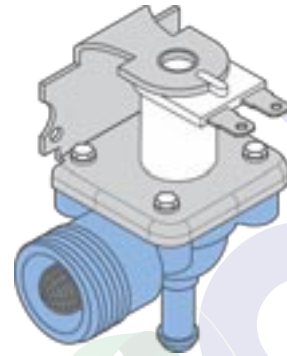
WATER VALVES



A

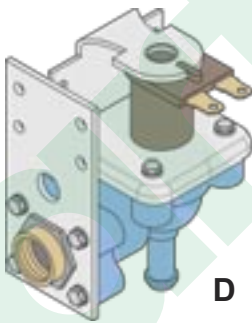


B

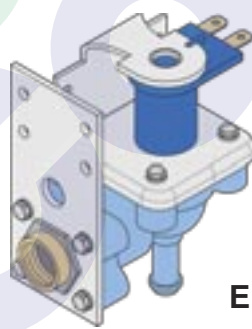


C

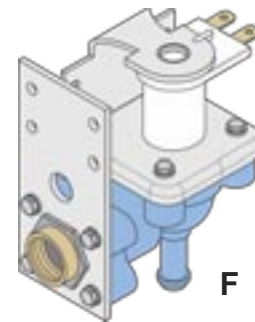
<u>Pic</u>	<u>Part No.</u>	<u>Ref No.</u>		<u>Coil</u>	<u>Coil Volt-</u>	<u>Type</u>
A	CI51401	11-0514-01	IMV1401	Green	120	Dump
A	CI51402	11-0514-02	IMV1402	Red	240	Dump
B	CI64601	12-1646-01	IH2005	Black	120	Inlet
C	CI44626	12-2446-26	IH2010A	White	240	Inlet
D	CI54801	12-2548-01	IH2548-01	Brown	24	Inlet
D	CI66601	12-2666-01	IH2666-01	Brown	24	Inlet
E	CI92201	12-2922-01	IMV2201	Blue	115	Inlet
F	CI92202	12-2922-02	-	White	240	Inlet



D

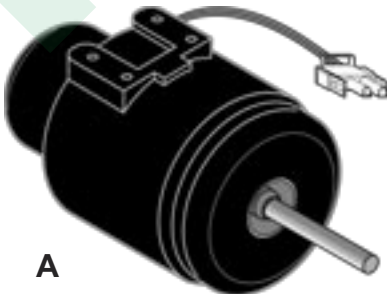


E



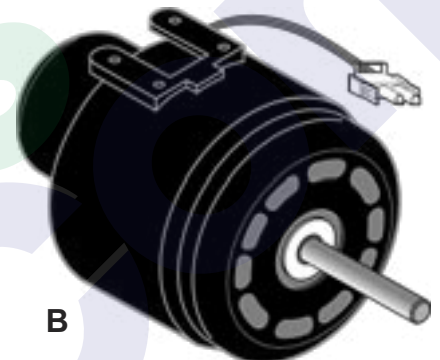
F

CONDENSER MOTORS



A

<u>Pic</u>	<u>Part No.</u>	<u>Ref.</u>	<u>Voltage</u>
A	CI5050	18-5505-01	115
A	CI5051	18-5505-11	230
B	CI8290	18-8829-01	230



B

IM70 ICE MACHINE



• Affordable • 70 lb. per day capacity • 15" Wide



- 27 lb. Capacity Removable Storage Bin
- LED Light • Adjustable Ice Sizes
- 15" Width • 24" Deep • 33¼" High
- Reversible Brushed Stainless Steel Door
- Built-In Filter • Front Venting
- Wash Cycle • 1 Year Warranty



Complete with:

- Ice Scoop
- 9' installation Hose
- Drain Hose



PAL5641P
Built-In Filter for IM70



Equipped with casters in the front & back for easy relocation. Leveling legs are also located in the front. Screw the leveling legs clockwise until the front casters touch the ground. When the desired location is reached, screw the leveling legs counter-clockwise lifting the front casters off the ground.

COMMERCIAL ICE MACHINE FILTERS

COMMERCIAL ICE MACHINE FILTER

CHLORINE TASTE & ODOR REDUCTION
WITH SCALE INHIBITOR

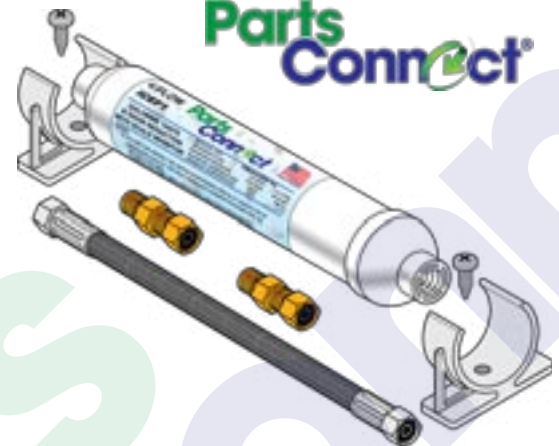
12" Long x 2" Dia.

SERVICE LIFE	6 Months/2000 Gal.	
MAXIMUM FLOW	.50 GPM	(1.9 LPM)
MAXIMUM PRESSURE	125 PSIG	(8.6 bar)
MAXIMUM TEMPERATURE	100°F	(38°C)
MINIMUM TEMPERATURE	35°F	(2°C)

Part No.	Description
ICEF1P	12" lg. x 2" dia. Filter (Chlorine, Taste, Odor Reduction)
ICEKIT	Filter Kit w/Fittings, Mounting Clips & 12" Hose

Kit Includes:

- 1 - ICEF1P Filter
- 2 - C68-4-4 Lead Free Fitting 1/4" Comp. X 1/4" MPT
- 2 - PFO-2 Clip
- 2 - Mounting Screw
- 1 - LAB1912 1/4" Comp X 1/4" Comp. Braided, Hose 12" Long



System Tested and Certified by NSF International against ANSISNF Standard 42 For the reduction of Chlorine, Taste, & Odor





2019-2020

HEATING & COOLING

[www. parts-connect.com](http://www.parts-connect.com)

<https://www.lidcorp.com>

Long Item Development Corporation

2210 National Avenue

Indianapolis, IN 46227

317.780.1077 / 317.780.1137 Fax



LONG ITEM DEVELOPMENT, CORP.
THE LID ADVANTAGE