

1. Application

Air Conditioner Type	Natural Cooling
Refrigerant Type	R22
Power Source	3 Phase 60Hz-208/230V
Safety Approval	UL

2. Specification

Compressor Type	Hermetic Scroll Compressor
Displacement	8.05in ³ /rev.
Oil Charged	94.7 fl oz
Weight (Oil Included)	147 lbs

3. Motor Specification

Motor Type	3-PH Induction Motor
Pole Numbers	2 Poles
Insulation Grade	E Grade
Coil Resistance (at 25°C / 77°F)	Ω U-V 0.341, Ω U-W 0.360, Ω V-W 0.353
Locked Rotor Amps	205 A
Running Capacitor	N / A

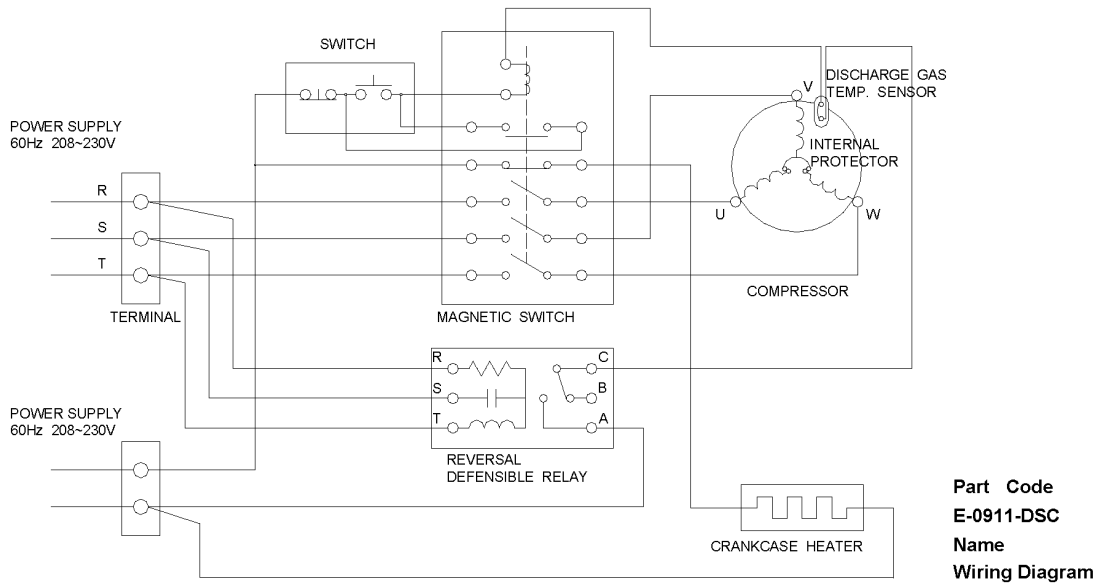
4. Rated Performance Parameters

Rated Capacity	W 27,900, W 28,100 ±5% BTU/hr 95,195, BTU/hr 95,877 reference
Rated Input Power	W 8,750, W 8,800, ±5%
Rated Input Current	A 27.20, A 26.60, ±5%
NOISE	dB(A) 72 MAX

Rating Condition

Power Source	3 PH 60Hz-208/230V
Cond. Temp.	54.4°C / 130°F
Evap. Temp.	7.2°C / 45°F
Return / Suction Gas Temp.	18.3°C / 65°F
Liquid Temp.	46.1°C / 115°F
Ambient Temp.	35°C / 95°F

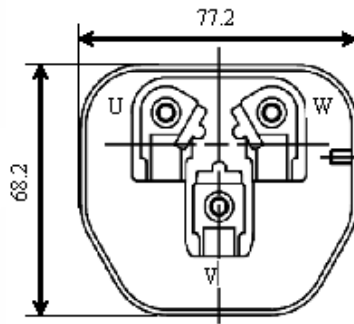
5. Wiring Diagram



6. Other Application Notice

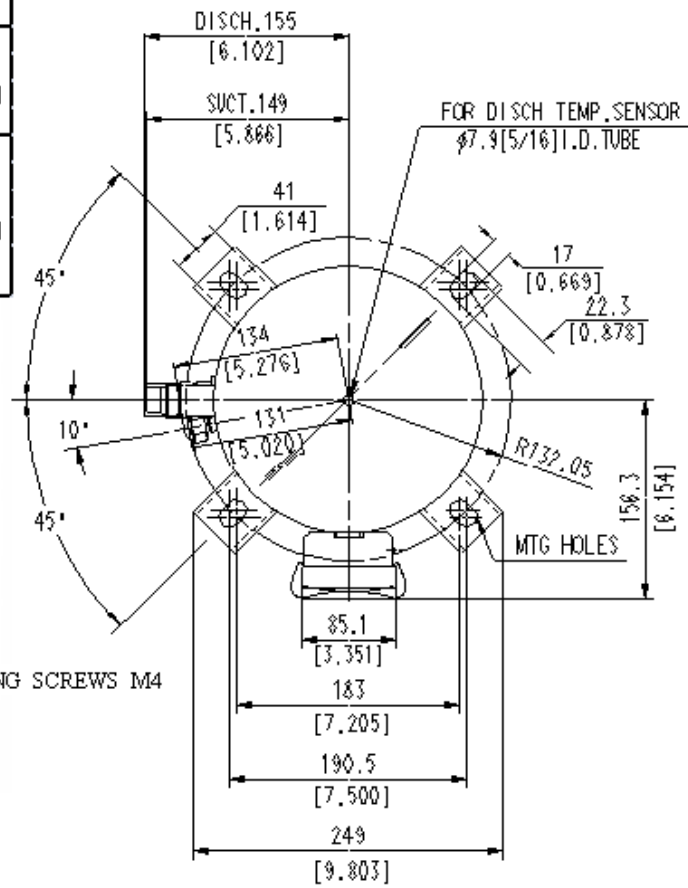
1. When designing the connection tube, the installer should consider the vibration stress at the compressor's start and stop to ensure it doesn't get damaged.
2. Do not put a compressor on its side or turn it over. It must always remain standing upright.
3. Please install the compressor right after removing the plugs.
4. When the amount of refrigerant charged in the air conditioner is over the max amount allowable, compressor specification should be discussed. (Install additional accumulator, oil heater, etc.)
5. Refrigerant must always be filled from the high side of the refrigeration system.
6. Avoiding compressor running in reverse by connecting electrical wires correctly.
7. Do not allow electric cables or the like to touch compressor directly.
8. To avoid water droplets and dust into the compressor, moisture-proof or dust-proof measures must be taken.
9. For split type air conditioners, the maximum piping length should be 49.21 feet, and elevation difference should be within 16.4 feet.
10. Wear safety goggles when servicing the unit.

COMP. CODE	A	B	C	D	E
809 28* 8*					
809 18* 8*	538	284	486	7.9	289
809 29* 8*	[21.18]	[11.18]	[19.13]	[0.31]	[11.38]
809 19* 8*					
809 20* 8*					
809 10* 8*					
809 22* 8*	553	299	501	9	304
809 12* 8*	[21.77]	[11.77]	[19.21]	[0.35]	[11.97]
C-SCP 270,315, 360,400					



TERMINAL

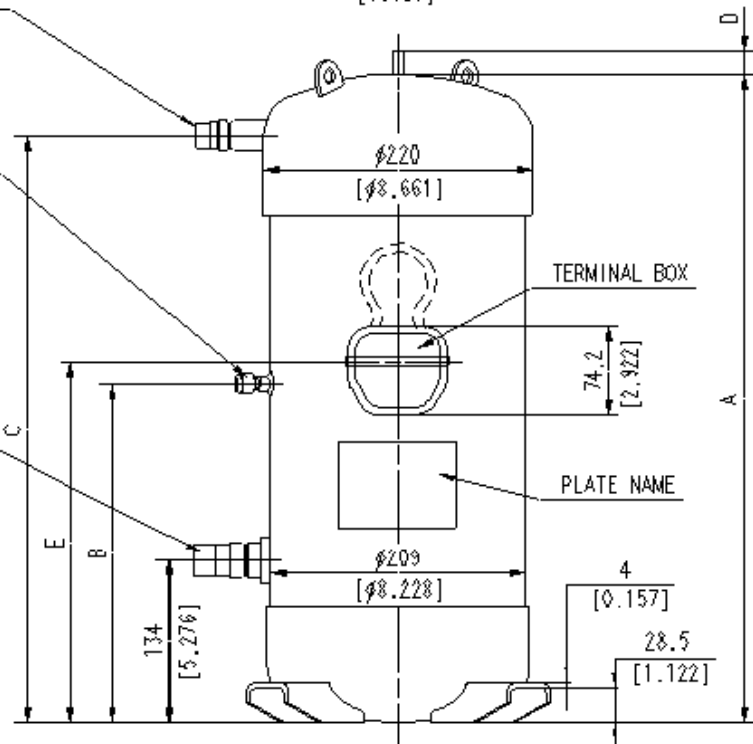
TAPPING SCREWS M4



DISCHARGE ACCEPT
φ19.05 [3/4] O.D. TUBE

CONNECTOR
7/16-20UNF-2A
[1/4 FLARE CONNECT]

SUCTION ACCEPT
φ25.4 [1] O.D. TUBE



Part Code
D-0105-DSC
Name
Compressor Outline Drawing