

# Parts Connect<sup>®</sup>

**The Contractors' Choice**

**2026-2027**

[www.parts-connect.com](http://www.parts-connect.com)

# TABLE OF CONTENTS

Test Equipment.....	2-3
Thermometers .....	4
Tools .....	5
Zoom Spouts .....	6
Flame Sensors & Ignitors .....	7
HSI Ignitors.....	8
Electric Heat Coil Kits .....	9
Electric Heat Sequencers.....	10
Motors.....	11-14
Fan Blades .....	15
Capacitors .....	16-21
Terminals .....	22-23
A/C Evaporators .....	24-25
Gas Connectors & Fittings & Condensate Pump .....	26
Mini Split Condensate Pumps .....	27
Compressors .....	28-31
Hard Start Kits & Start Relays .....	32
Transformers .....	33
Contactors .....	34
Relays & Motors .....	35
General Purpose Timers & Refrigeration Defrost Controls.....	36
Refrigerants.....	37
Hoshizaki Ice Machine.....	38
Manitowoc Ice Machine.....	29, 39
Scotsman Icemaker.....	40-41
Ice Machine .....	42
Index.....	43-46
Warehouse Locations .....	47-54

# TEST EQUIPMENT

## HVAC CLAMP METER with TEMPERATURE



### CM100 1.2" Jaw Opening 1000 Amps AC

- Auto Ranging
- Temperature F/C -58° to 2372°F / -50° to 1300°C
- Capacitance 100μF
- Continuity Buzzer Sounds at 100Ω
- Diode Test: 0.3mA Open Circuit 1.5V
- 9" x 3.1" x 1.9"
- Soft Case
- Volts AC/DC 600V CAT III
- Resistance 40MΩ
- Frequency 10MHZ
- Max/Min/Hold
- Instructions
- (2) AAA Batteries
- Temperature Probe

## MULTIMETER with TEMPERATURE

### TM200 True RMS

- Auto Ranging
- Temperature F/C -58° to 1400°F / -50° to 760°C
- Capacitance 40μF
- Continuity Buzzer
- Diode Test: 0.3mA Open Circuit 1.5V
- 7.2" x 3.2" x 2.2"
- Type K Temperature Probe
- Volts AC/DC 1000V CAT III
- Resistance 40MΩ
- 0.1μA to 10A AC/DC
- Weight 12.7oz
- Soft Case
- Frequency 10 MHz
- Max/Min/Hold
- Instructions
- (1) 9V Battery
- Test Leads



## COMBUSTIBLE GAS LEAK DETECTOR

### GD100 Detects: Natural Gas, Propane, Gasoline, Methane, Butane, Alcohol, Acetone, Naptha, Carbon Monoxide, Jet Fuel, Hydrogen Sulfide, Ammonia, Lacquer Thinner

- Pump Driven Detector can be calibrated in the field
- Range: 10ppm
- Weight: 1.1lb
- 16" Gooseneck Detector
- Alarm: Visible & Audible
- Response: <2 sec.
- 8.7" x 2.8" x 1.8"



# TEST EQUIPMENT



## DIFFERENTIAL PRESSURE MANOMETER

**DM100** inH<sub>2</sub>O : -55.4" to +55.4

- 11 Selectable units of measure: inH<sub>2</sub>O, psi, mbar, kPa, inHg, mmHg, ozin<sup>2</sup>, ftH<sub>2</sub>O, cmH<sub>2</sub>O, kgcm<sup>2</sup>, bar
- Max/Min/Avg
- Low Battery Indicator
- Backlight
- 9 V Battery
- 9 V Battery
- psi +/- 2
- Data Hold
- Record Mode
- Time Stamp
- Zero Function
- Dual LCD Display
- Auto Power Off
- Manual

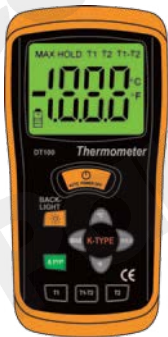
## DIAGNOSTIC PSYCHROMETER

**DP100** Calculates Target Superheat (TSH)

- Target Evap Exit Temp (TEET)
- Temperature -30 to 199°F (-30 to 100°C)
- Type K Temp -58 to 2501°F (-50 to 1372°C)
- MAX, MIN, HOLD Modes
- -22 to 199°F (-30 to 100°C) Dew Point
- 32 to 176°F (0 to 80°F) Wet Bulb
- Selectable NTC or Type K Measurement
- Soft Case
- 6.2oz.
- 0 to 100% RH
- 9V Battery
- Dual Display & Backlight
- 7.4" x 2.5" x 1.1"
- Temperature Probe
- Auto OFF
- Manual



## TYPE-K DUAL INPUT THERMOMETER



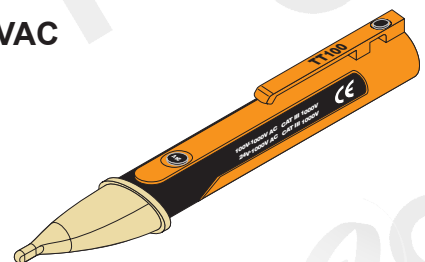
**DT100** -58 to 2000°F (-50 to 1300°C)

- Differential Measurement T1-T2
- Selectable °F/°C
- Type-K Thermocouples
- 9V Battery
- Low Battery Indicator
- Holdster & Stand
- Backlight LCD
- Soft Case
- 14oz.
- Data & MAX Hold
- Manual
- Auto Power OFF
- 6.5" x 3" x 1.7"

## LOW VOLTAGE DETECTOR & LED FLASHLIGHT

**TT100** Non-contact AC CAT III detection 24 to 1000VAC

- Bright LED Flashlight with ON/OFF Button
- Red LED light & Audible Beeper Indicator
- For Outlets or Against Wire Insulation
- For Use On 50/60 Hz Circuits



# THERMOMETERS

## No Touch Infrared-Non-Contact Forehead Scan to Check for Fevers Too!

Get an accurate body temperature reading without making physical contact. Infrared thermometers are suitable for diagnosing fever or illness, checking the temperature of objects such as baby formula.



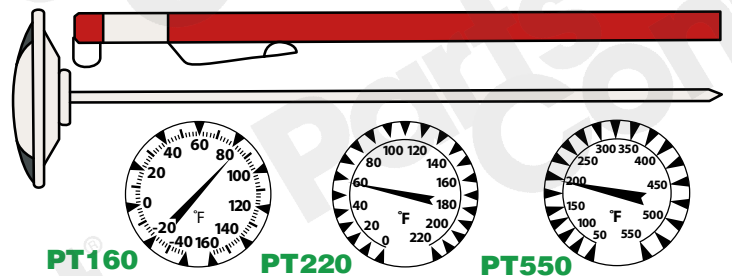
- IT100** 8:1 Compact Laser • -22 to 500°F ( -30° to 260°C)
- Selectable °F/°C
  - Max & Min Record
  - Soft Case
  - Automatic Data Hold
  - 5.2" x 3.8" x 1.4"
  - 9V Battery
  - Backlight LCD
  - 4.6oz
  - Instructions

- IT200** 12:1 Compact Laser • -58 to 1202°F ( -50° to 650°C)
- Selectable °F/°C
  - Max & Min Record
  - 5.7oz
  - Automatic Data Hold
  - Trigger Lock
  - Soft Case
  - 9V Battery
  - Backlight LCD
  - 5.7" x 4.1" x 1.7"
  - Instructions



## MECHANICAL 1" DIAL POCKET THERMOMETERS

Part No.	Range	• 5" Stem
<b>PT160</b>	-40 - 160°F	• Pocket Sheath & Clip
<b>PT220</b>	0 - 220°F	• Recalibrateable
<b>PT550</b>	+50 - 550°F	• Magnifying Lens



# TOOLS

## TOOL BAG WITH RUBBER BASE



- Black/Red Tool Bag w/ Rubber Base
- Made of Strong 600D Polyester Material
- Rubber Bottom for Extra Protection
- Includes Shoulder Strap & Handle
- 10 Inside Pockets 14 Pockets, 2 Loops Surrounding Bag Outside

**PC13025**

## 6 - IN - 1 SCREWDRIVER

New with IMPROVED DURABILITY

Available in a Display Box of 12



Part No.	Description
<b>PC9358</b>	6-in-1 Screwdriver
<b>PC9358-12</b>	Display Box of 12

**PC70051**

## 6 - IN - 1 SCREWDRIVER

**Parts Connect**

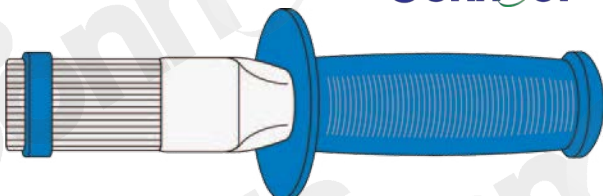
Includes Bit Sizes:  
Flat-Tip 3/16 & 1/4-Inch, Phillips #1 & #2  
Hex 5/16-Inch & 1/4-Inch

- Ergonomic Grip

Available in a Display Box of 12



**Parts Connect**



## PTB550 CONDENSER FIN STRAIGHTENER TOOL

Rubber Grip Handle with Knuckle Saver

# ZOOM SPOUTS



## RUST BUSTER

Quickly loosens rusted bolts, screws, shafts, piping and all types of "frozen" connections. Comes with 14" telescoping spout.

**PCRB75**

## ZOOM SPOUT OILER

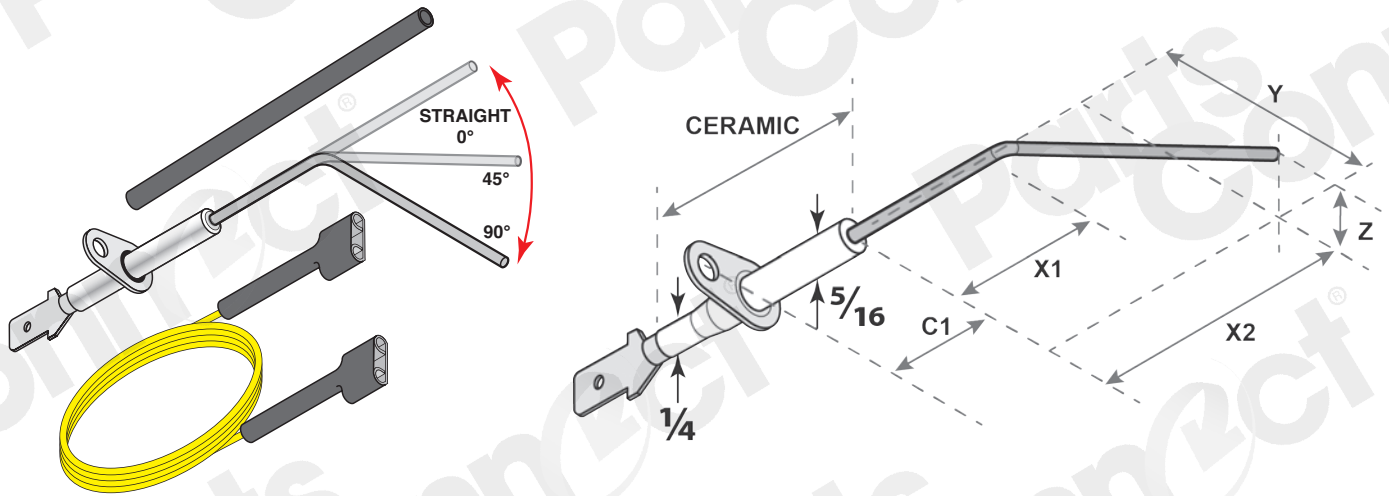
Zoom Spout Oiler contains 4oz. of high grade turbine oil. Comes with 14" telescoping spout for those hard to reach places.



**PCZS75**

# FLAME SENSORS & IGNITORS

## UNIVERSAL FLAME SWITCH



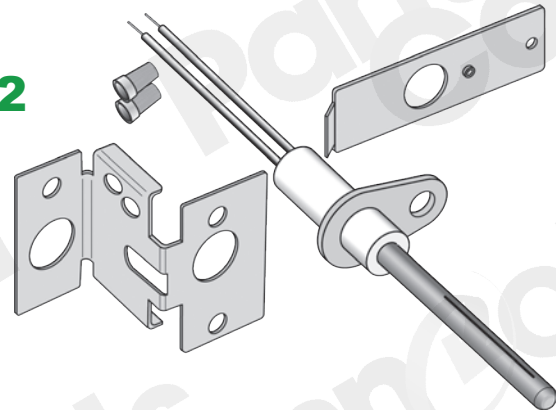
- Rod can be bent or cut to replace over 120 parts
- High temperature rod withstands 2200°F
- Protective sleeve included for bending the rod
- 30" lead wire with 1/4" & 3/16" quick-connect terminals included

**PCUFS1**

## PREMIUM NITRIDE IGNITOR

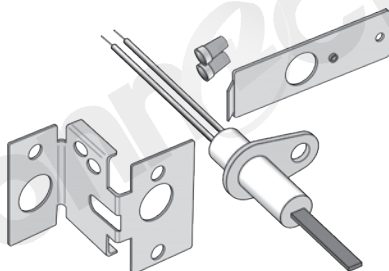
**PC21D64-2**

Upgrades silicon carbide integrated or non-integrated systems to long-lasting and durable nitride. The nitride ignitor is connected in the existing HSI system, ensuring consistent performance and long ignitor life.



## UNIVERSAL NITRIDE IGNITOR 120V UPGRADE KIT

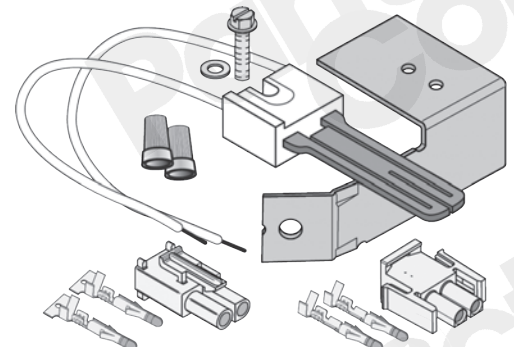
**PC21D64-44**



## UNIVERSAL FLAT SILICON CARBIDE IGNITOR

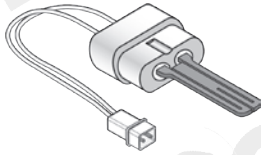
**PCIG402K**

WILL REPLACE:  
41-402, 41-408,  
41-410, 41-411



# HSI IGNITORS

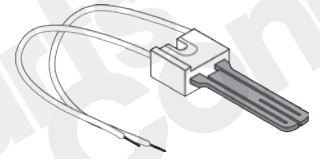
## FLAT NORTON 41-SERIES



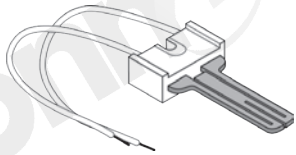
**PC1401 (41-401)**

Ceramic Block = A  
 Terminal Style = A  
 Replaces: 201A & 271A  
 Goodman B1336102  
 Rheem 625019

Ceramic Block = B  
 Terminal Style =  
 Wire Connectors  
 Replaces 201N & 201W,  
 271N & 271W  
 Rheem 625021, Trane IG23



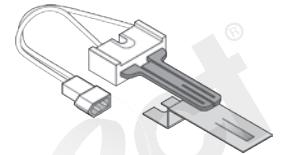
**PC1402 (41-402)**



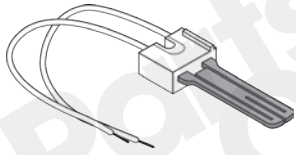
**PC1403 (41-403)**

Ceramic Block = C  
 Terminal Style =  
 Wire Connectors  
 Replaces 271M  
 Heil 1380654  
 Trane IGN26, IGN30

Ceramic Block = C  
 Terminal Style = D  
 Replaces 271M  
 Rheem 1096048  
 Weil McLain 511-390-190



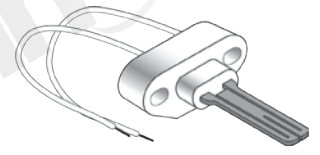
**PC1404 (41-404)**



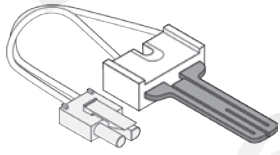
**PC1405 (41-405)**

Ceramic Block = D  
 Terminal Style =  
 Wire Connectors  
 Replaces 271D  
 York 025-27766-000

Ceramic Block = E  
 Terminal Style =  
 Wire Connectors  
 Replaces 271Y  
 Weil McLain 511-330-193



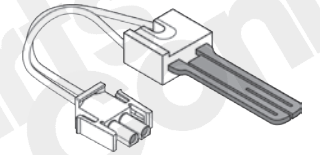
**PC1406 (41-406)**



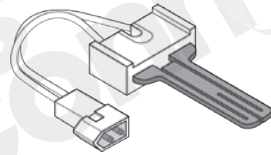
**PC1407 (41-407)**

Ceramic Block = C  
 Terminal Style = B  
 Replaces 271  
 Trane B144676P02, IG30

Ceramic Block = B  
 Terminal Style = C  
 Replaces 271N  
 Rheem 62-22441-01  
 62-22868-92, Trane IGN0034



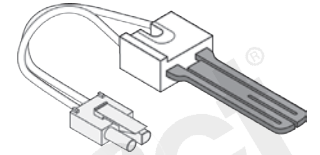
**PC1408 (41-408)**



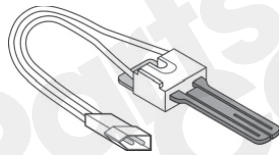
**PC1409 (41-409)**

Ceramic Block = C  
 Terminal Style = D  
 Replaces 271N  
 Carrier LH33ZS001, 2,  
 LH33ZS003, 4  
 Rheem 625020, Trane IG26

Ceramic Block = B  
 Terminal Style = B  
 Replaces 271N  
 Rheem 65015  
 Trane B144676P01



**PC1410 (41-410)**

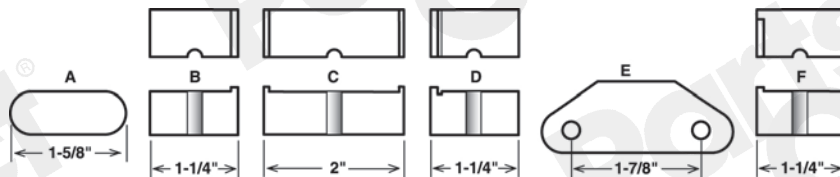


**PC1412 (41-412)**

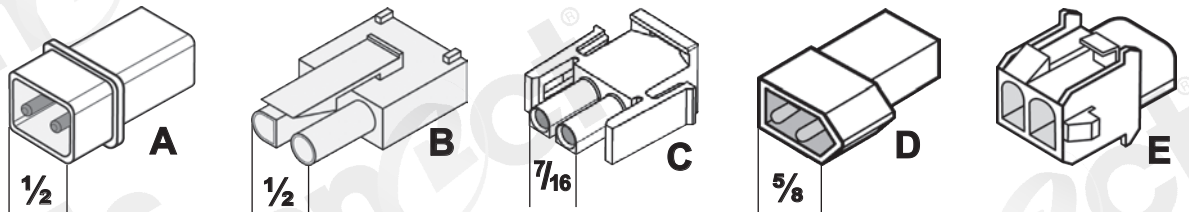
Ceramic Block = F  
 Terminal Style = D

Replaces Norton 271NM  
 ICP 1009604  
 Rheem 65024

### CERAMIC BLOCK CHART FOR IGNITORS

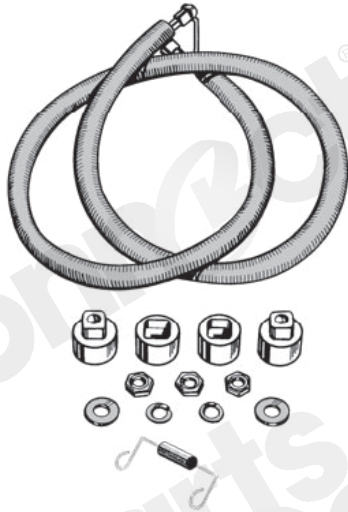


### TERMINAL BLOCK CHART FOR IGNITORS



# ELECTRIC HEAT

## GENERAL PURPOSE RESTRING COIL KITS

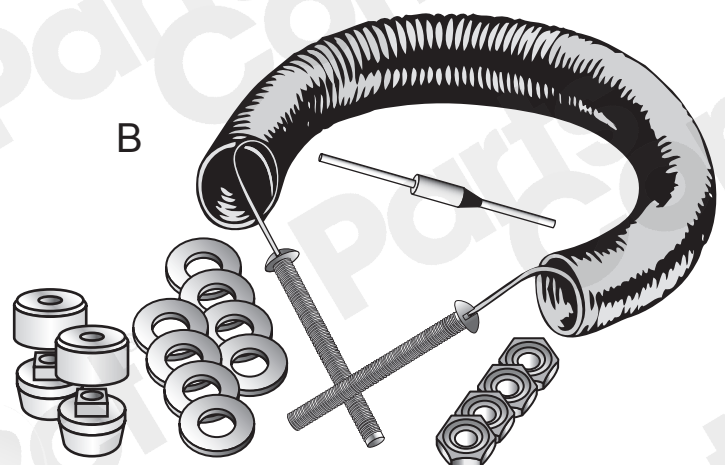
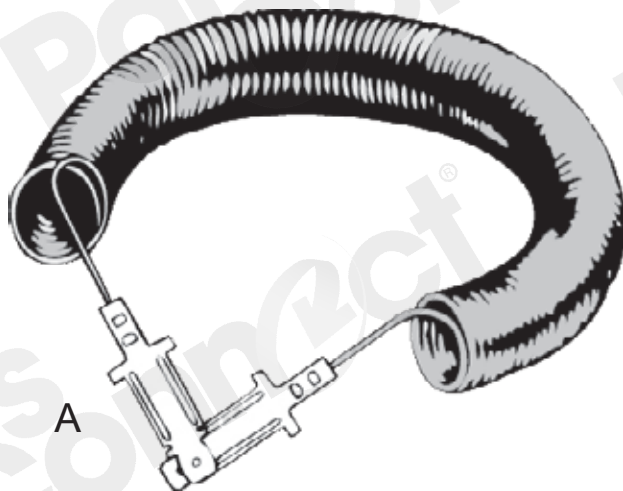


Restring kits are complete with terminal insulators, screws, washers & nuts. Coil wire is in a tight coil with 11/32" max. o.d. Packed in polybag with instructions. Select desired wattage - Order by Part Number.

<u>Part No.</u>	<u>Watts at 240V 208V</u>	<u>Part No.</u>	<u>Watts at 240V 208V</u>
<b>DH500</b>	5000 3750	<b>DH507</b>	3000 2250
<b>DH501</b>	3500 2625	<b>DH512</b>	4750 3563
<b>DH502</b>	2000 1500	<b>DH516</b>	4666 3500
<b>DH503</b>	2500 1875	<b>DH520</b>	6600 4950
<b>DH505</b>	4500 3375	<b>DH534</b>	6000 4500
<b>DH506</b>	4000 3000	<b>DH556</b>	3300 2475

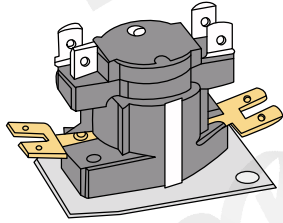
## 5/8" O.D. GENERAL PURPOSE COIL KITS

<u>Part No.</u>	<u>Pic</u>	<u>Connector</u>	<u>Watts</u>	<u>Volts</u>
<b>DH500FC</b>	A	1/4" Spade	5,000	240
<b>DH500FCB</b>	B	Bolt	5,000	240
<b>DH506FC</b>	A	1/4" Spade	4,000	240
<b>DH506FCB</b>	B	Bolt	4,000	240
<b>DH501FC</b>	A	1/4" Spade	3,500	240
<b>DH501FCB</b>	B	Bolt	3,500	240
<b>DH501-4FC</b>	A	1/4" Spade	3,500	277



# ELECTRIC HEAT SEQUENCERS

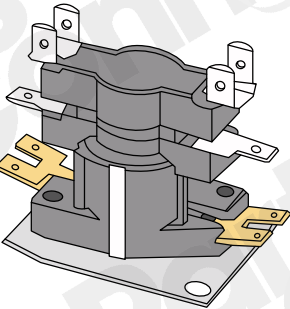
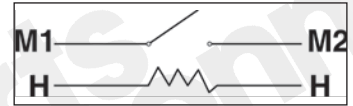
Direct replacement for most fan and heat sequencing functions  
 • 24 Volt input control • Solid State with Quick Connect Terminals



**PCQ101**  
(GS101)

Q101  
33241  
24A34-1  
TDR10

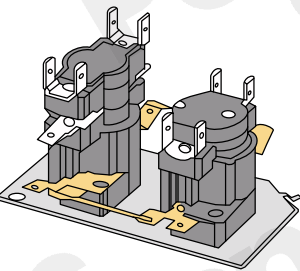
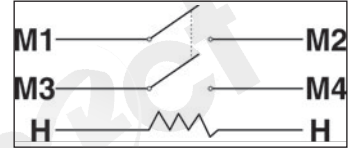
OFF 40-110 Sec.  
ON 1-20 Sec.



**PCQ103**  
(GS103)

Q103  
33244  
24A34-3  
TDR20

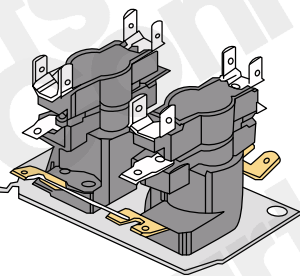
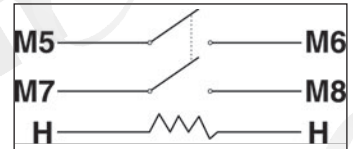
OFF 40-110 Sec.  
ON 1-20 Sec.



**PCQ104**  
(GS104)

Q104  
33245  
24A34-4  
TDR25

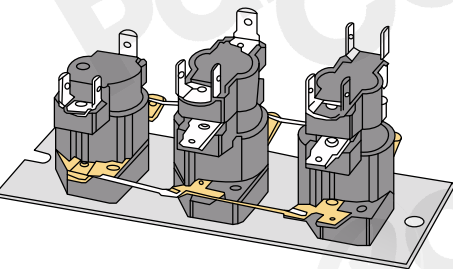
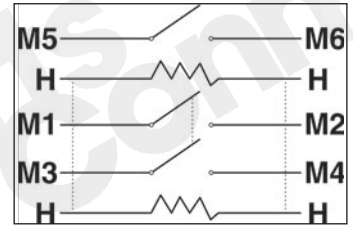
OFF 1-30 Sec.  
ON 30-90 Sec.



**PCQ105**  
(GS105)

Q105  
33232  
24A34-5  
TDR30

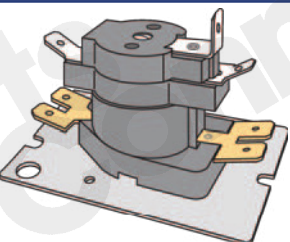
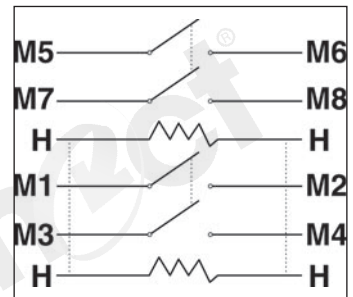
OFF 1-110 Sec.  
ON 1-110 Sec.



**PCQ106**  
(GS106)

Q106  
33233  
24A34-6

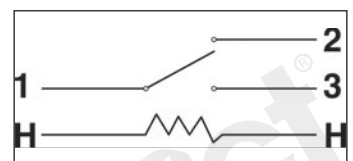
OFF 1-30 Sec.  
ON 30-90 Sec.



**PCQ108**  
(GS108)

Q108  
GOODMAN  
B1370738

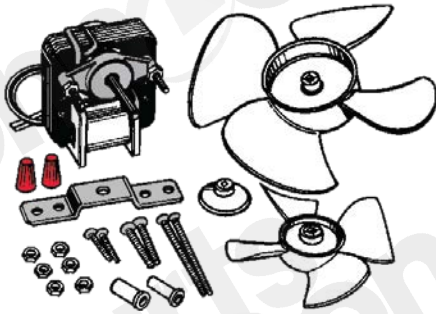
OFF 65-115 Sec.  
ON 1-25 Sec.



# DRAFT INDUCER & MISC. MOTORS

## UTILITY FAN MOTOR

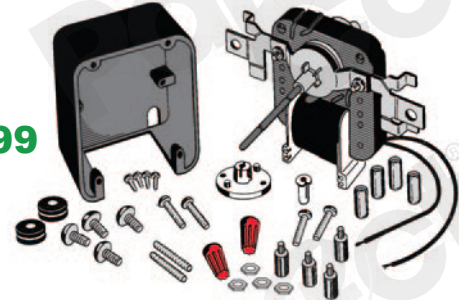
120V 1-Speed 5/8" Stack  
Shaft: 1 1/4" Long x 3/16" Dia.



**WD670**

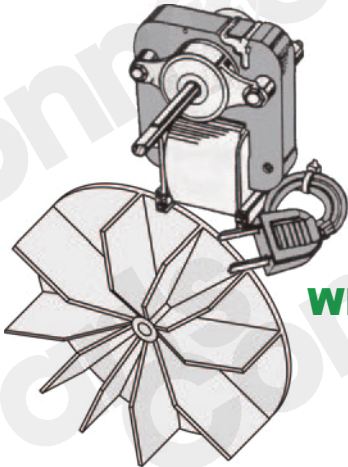
## UNIVERSAL EVAPORATOR FAN MOTOR KIT

**SM999**



- 115V
- 1-Speed

## VENT HOOD MOTOR



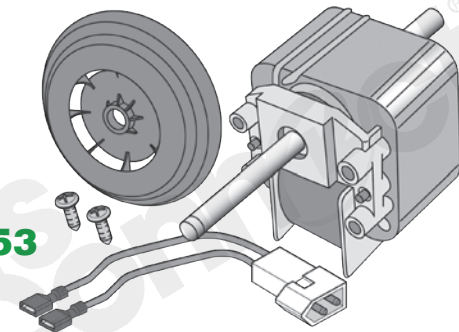
**WD100-550**

- 120V w 2-Prong AC Plug
- 1-Speed
- CCW
- 7/8" Stack
- Fan Blade Included
- Shaft: 7/32" x 1 3/4"

Replaces: Nutone  
C65878, VFM100, 33-100,  
EM550

## INDUCER MOTOR

**PCI4753**



115V, 65W  
Can replace Carrier  
HC21ZE117, HC660005,  
318984-753, 65569, EM4753

# 5 1/2" 40°C BLOWER MOTORS

## 3-SPEED 40°C DIRECT DRIVE BLOWER MOTORS

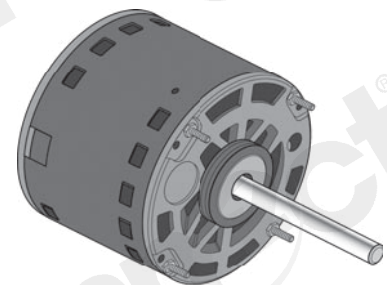


- Sleeve Bearings
- 3 Speed
- 1075 RPM
- Reversible
- 1/2" x 4" Shaft w/Flat
- Open Enclosure
- PSC

HP	Amps	Volts	Cap.	Part No.
1/4	4.2 - 2.4 - 2.0	115	5μ	<b>PC3583</b>
1/3	5.5 - 3.0 - 2.0	115	7.5μ	<b>PC3585</b>
1/2	7.5 - 4.5 - 3.0	115	10μ	<b>PC3587</b>
3/4	10.2 - 7.3 - 4.5	115	15μ	<b>PC3589</b>
1/4	2.0 - 1.1 - 0.9	208-230	5μ	<b>PC3584</b>
1/3	2.8 - 1.7 - 1.2	208-230	5μ	<b>PC3586</b>
1/2	3.6 - 2.3 - 1.6	208-230	10μ	<b>PC3588</b>
3/4	5.5 - 4.5 - 3.2	208-230	10μ	<b>PC3590</b>

## 4-SPEED MULTI-HP 40°C DIRECT DRIVE BLOWER MOTORS

- 2 1/2" Mtg Rings
- Electrically Reversible
- 10μF370V Capacitor
- 48Y Frame
- Sleeve Bearing
- 5 x 1/2" Shaft/4" Flat
- 1075RPM/4 Speed
- Automatic Overload
- 40°C



H.P.	Volts	Amps.	Body Length	Shaft Length	Part No.
1/2 - 1/6	115	7.0	4.81"	5"	<b>PC3463</b>
3/4 - 1/5	115	9.1	4.81"	5"	<b>PC3466</b>
1/2 - 1/6	208/230	3.9	4.81"	5"	<b>PC3464</b>
3/4 - 1/5	208/230	3.9	4.81"	5"	<b>PC3467</b>

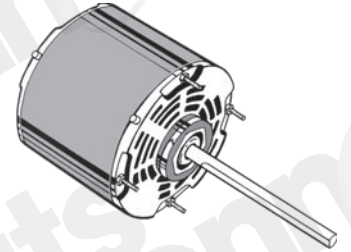
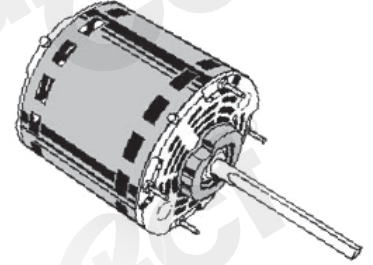
# 5½" MOTORS

## 40°C DIRECT DRIVE BLOWER MOTORS CAPACITOR INCLUDED

- Sleeve Bearings
- 1075 RPM
- Reversible
- 1/2" x 6" Shaft w/Flat
- Open Enclosure
- PSC
- Capacitor Included in the Box

<u>HP</u>	<u>AMPS</u>	<u>Speeds</u>	<u>Cap.</u>	<u>Length</u>	<u>Part No.</u>
<u>115 Volt</u>					
1/2-1/3-1/4-1/5	7.7/5.5/4.2/3.3	4	10μ	5¼"	<b>PCD701</b>
1/6-1/8-1/10	2.5	3	5μ	4¼"	<b>PCD928*</b>
1/4-1/5-1/6	4.8/3.3/2.6	3	5μ	4"	<b>PCD721</b>
1/3-1/4-1/5	5.4/4.6/3.8	3	5μ	4¼"	<b>PCD727</b>
3/4-1/2-1/3	4.8/3.3/2.6	3	10μ	5½"	<b>PCD728</b>
<u>208-230 Volt</u>					
1/4-1/6-1/8	2.2/1.5/4.2/1.1	3	5μ	4"	<b>PCD725</b>
1/3-1/4-1/5	1.8	3	5μ	4¼"	<b>PCD923</b>
3/4-1/2-1/3	5.4/3.8/2.9	3	10μ	5½"	<b>PCD729</b>

\* Shaft 1/2" X 5½"



## 60°C TOTALLY ENCLOSED CONDENSER MOTORS



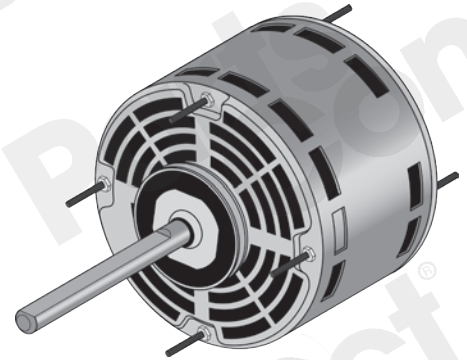
- 208-230V
- PSC
- Ball Bearings
- Reversible
- Single Speed
- 1/2" x 6" Shaft w/Flat

<u>HP</u>	<u>Amps</u>	<u>RPM</u>	<u>Cap</u>	<u>Part No.</u>
1/6	1.1	825	5μF370V	<b>PC3403</b>
1/4	1.5	825	5μF370V	<b>PC3404</b>
1/3	1.8	825	7.5μF370V	<b>PC3405</b>
1/2	2.7	825	10μF370V	<b>PC3746</b>
1/6	1.3	1075	5μF370V	<b>PC3727</b>
1/4	2.0	1075	5μF370V	<b>PC3728</b>
1/3	2.5	1075	7.5μF370V	<b>PC3729</b>
1/2	3.5	1075	10μF370V	<b>PC3730</b>
3/4	5.3	1075	10μF370V	<b>PC3731</b>

# 5 1/2" CONDENSER MOTORS

## PSC • DIRECT DRIVE FAN & BLOWER 5.6" DIAMETER • OPEN AIR OVER

- Stud Extensions
- 48Y Frame
- 115 Volt
- Permanent Split Capacitor
- Continuous Duty, Air Over
- All Angle Mount
- Requires 370 Volt Run Capacitor (not included)
- SAB Bearings Have All Angle Thrust System
- 24" Leads
- 1075 RPM
- 60 HZ
- 5" Shaft
- Auto Thermal Protection
- 2.5" Diameter Hub Rings Included

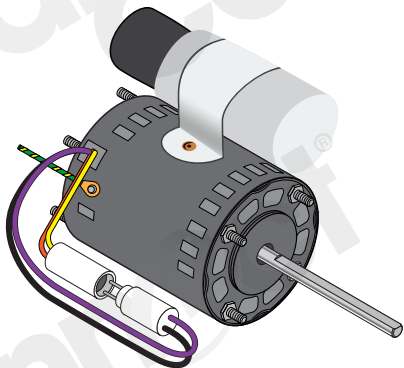


- Class B Insulation
- 3 Speed
- Reversible Rotation

HP <sup>Ⓢ</sup>	Part No.	Volts	μF @370V	Amps	"A" Dim
1	<b>PC8906</b>	115	20.0	12.1	6.1
1	<b>PC8907</b>	208-230	20.0	5.6	6.1

## 3-IN-1 BLOWER MOTOR PCD1127

3.3" Dia. • 115/208-230V • 1 Speed  
• 1550RPM • 1/12-1/15-1/20 HP  
Emerson: 9650, 9651, 9652, 9653,  
9656, 9664 • Century: 9721



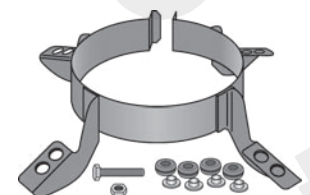
Fasco: D1101, D1103, D1122,  
D1124, D1125, D1123, D1126,  
D1127, D1152, D1154, PD1125,

## DIRECT DRIVE BLOWER MOUNTING KITS

For 5 1/2" & 5" motors For 9" &  
10" bolt circles Grommets &  
eyelets included.



**MB55** 3 LEG



**MB554** 4 LEG

# FAN BLADES

## SKU SYNTAX

XW1803-20RA-CTN

Part No.	Description
<b>ADEE1205-23LA-CTN</b>	12IN 5 BLD 23 DEG 5/16IN
<b>ADEE1205-23RA-CTN</b>	12IN 5 BLD 23 DEG 5/16IN
<b>ADEE1405-20RA-CTN</b>	14IN 5 BLD 20 DEG 5/16IN
<b>ADOU805-25RA-CTN</b>	8IN 5 BLD 25 DEGCW
<b>BN631-Y-337SRG-CTN</b>	6.31IN OD 3.37IN 3/8IN CW
<b>G2402-16RG-CTN</b>	24IN 2 BLD 16 DEG 1/2IN
<b>G2403-19RG-CTN</b>	24IN 3 BLD 19 DEG 1/2IN
<b>HUB3125</b>	FAN HUB .3125 BORE
<b>HUB375</b>	FAN HUB .375 BORE
<b>HUB500</b>	FAN HUB .500 BORE
<b>HUB625</b>	FAN HUB .625 BORE
<b>OA2203-20.5LG-CTN</b>	22IN 3 BLD 20.5 DEG 1/2IN
<b>OA2204-22LG-CTN</b>	22IN 4 BLD 22 DEG 1/2IN
<b>OA2204-28LG-CTN</b>	22IN 4 BLD 28 DEG 1/2IN
<b>T1803-27LG-CTN</b>	18IN 3 BLD 27 DEG 1/2IN
<b>T1803-27RA-CTN</b>	18IN 3 BLD 27 DEG 1/2IN
<b>T1804-27LG-CTN</b>	18IN 4 BLD 27 DEG 1/2IN
<b>T2402-18RG-CTN</b>	24IN 2 BLD 18 DEG 1/2IN
<b>T2603-20LA-CTN</b>	26IN 3 BLD 20 DEG 1/2IN
<b>T2603-21RG-CTN</b>	26IN 3 BLD 21 DEG 1/2IN
<b>T2603-24RG-CTN</b>	26IN 3 BLD 24 DEG 1/2IN
<b>TNT2203-24RG-CTN</b>	22IN 3 BLD 24 DEG 1/2IN
<b>TNT2203-25LG-CTN</b>	22 3 BLD 25 DEG 1/2IN CC
<b>TNT2203-26LG-CTN</b>	22IN 3 BLD 26 DEG 1/2IN
<b>TNT2204-32LG-CTN</b>	22IN 4 BLD 32 DEG 1/2IN
<b>TNT2402-31LG-CTN</b>	24IN 2 BLD 31 DEG 1/2IN
<b>X1803-32LA-CTN</b>	18IN 3 BLD 32 DEG 1/2IN
<b>X2002-24RA-CTN</b>	20IN 2 BLD 24 DEG 1/2IN
<b>XS1802-20RA-CTN</b>	18IN 2 BLD 20 DEG 1/2IN
<b>XW1803-27RA-CTN</b>	18IN 3 BLD 27 DEG 1/2IN
<b>XW1803-28LG-CTN</b>	18IN 3 BLD 28 DEG 1/2IN
<b>XW1803-31RG-CTN</b>	18IN 3 BLD 31 DEG 1/2IN
<b>XW1803-35RA-CTN</b>	18IN 3 BLD 35 DEG 1/2IN
<b>XW2003-34LG-CTN</b>	20IN 3 BLD 34 DEG 1/2IN

### 1. Family

See below for list of families by size and/or application.

### 2. Diameter

Diameter of fan.

### 3. Blade Count

Number of blades per individual fan.

### 4. Pitch

Angle of each individual fan blade.

### 5. Rotation

R: Clockwise / CW

L: Counter-Clockwise / CCW

### 6. Material

A: Aluminum

G: Galvanized Steel

### 7. Packaging

SGL: Single Pack

CTN: Carton (MOQ of Single Packs)

PAL: Full Pallet

### Condenser Fan Blades

(Rigid)

**TNT / XW** - most economic based on CFM / watt

**NS** - high efficiency, lowest noise

**ZS** - high efficiency, low noise

**G** - most economic low pressure

**T** - medium pressure, available in multiple diameters

**CL** - high pressure, rugged design

**Many more blades available**



**Small Fan Blades**

**ADEE** - high efficiency, high airflow, low static pressure

**ADO** - high airflow at lowest power

**ADHSS** - high static and quiet operation



**Large Fan Blades**

**AG** - highly configurable for general vents

**CL** - high pressure rugged design

**ZS** series

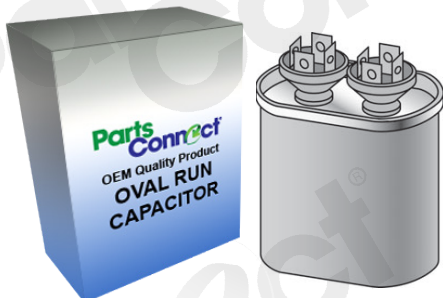
# OVAL CAPACITORS

## SINGLE OVAL RUN 370V 440V

Part No.	MFD	Part No.	MFD
O2-370	2	O2-440	2
O3-370	3	O2.5-440	2.5
O4-370	4	O3-440	3
O5-370	5	O4-440	4
O5-370WS	5	O5-440	5
O6-370	6	O6-440	6
O7.5-370	7.5	O7.5-440	7.5
O7.5-370WS	7.5	O10-440	10
O10-370	10	O12.5-440	12.5
O10-370WS	10	O15-440	15
O12.5-370	12.5	O17.5-440	17.5
O15-370	15	O20-440	20
O17.5-370	17.5	O25-440	25
O20-370	20	O30-440	30
O25-370	25	O35-440	35
O30-370	30	O40-440	40
O35-370	35	O45-440	45
O40-370	40	O50-440	50
O45-370	45	O55-440	55
O50-370	50	O60-440	60
O55-370	55	O70-440	70
O60-370	60	O80-440	80
O70-370	70		
O80-370	80		

WS = High Temperature

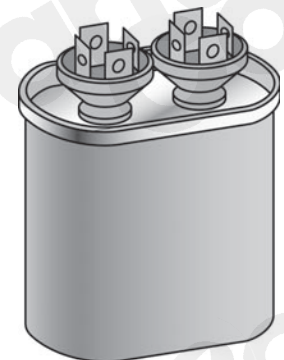
**Parts  
Connect**



Capacitors are hermetically sealed for long life. The 370V capacitors replace the following voltages in MFD equivalent ratings: 236V, 250V, 285V, 330V & 350V. The 440V line will replace the 460V capacitors as all Capacitors can withstand over voltages of up to 10% of rating.

## DUAL OVAL RUN 370V 440V

Part No.	MFD	Part No.	MFD
OD55-370	5+5	OD105-440	10+5
OD1010-370	10+10	OD154-440	15+4
OD153-370	15+3	OD155-440	15+5
OD154-370	15+4	OD1510-440	15+10
OD155-370	15+5	OD205-440	20+5
OD1510-370	15+10	OD2015-440	20+15
OD1755-370	17.5+5	OD255-440	25+5
OD203-370	20+3	OD2575-440	25+7.5
OD204-370	20+4	OD2510-440	25+10
OD205-370	20+5	OD2515-440	25+15
OD2010-370	20+10	OD304-440	30+4
OD1015-370	20+15	OD305-440	30+5
OD253-370	25+3	OD3075-440	30+7.5
OD254-370	25+4	OD3010-440	30+10
OD255-370	25+5	OD353-440	35+3
OD2575-370	25+7.5	OD354-440	35+4
OD258-370	25+8	OD355-440	35+5
OD2510-370	25+10	OD3575-440	35+7.5
OD2515-370	25+15	OD3510-440	35+10
OD303-370	30+3	OD403-440	40+3
OD305-370	30+5	OD405-440	40+5
OD3075-370	30+7.5	OD4075-440	40+7.5
OD3010-370	30+10	OD4010-440	40+10
OD353-370	35+3	OD455-440	45+5
OD354-370	35+4	OD4575-440	45+7.5
OD355-370	35+5	OD505-440	50+5
OD3575-370	35+7.5	OD5075-440	50+7.5
OD3510-370	35+10	OD555-440	55+5
OD403-370	40+3	OD5510-440	55+10
OD404-370	40+4	OD605-440	60+5
OD405-370	40+5	OD6510-440	65+10
OD4075-370	40+7.5	OD805-440	80+5
OD4010-370	40+10	OD8075-440	80+7.5
OD455-370	45+5		
OD4575-370	45+7.5		
OD4510-370	45+10		
OD4515-370	45+15		
OD505-370	50+5		
OD555-370	55+5		
OD5575-370	55+7.5		
OD605-370	60+5		
OD6075-370	60+7.5		
OD6010-370	60+10		



# ROUND RUN CAPACITORS

## SINGLE ROUND RUN 370V 440V

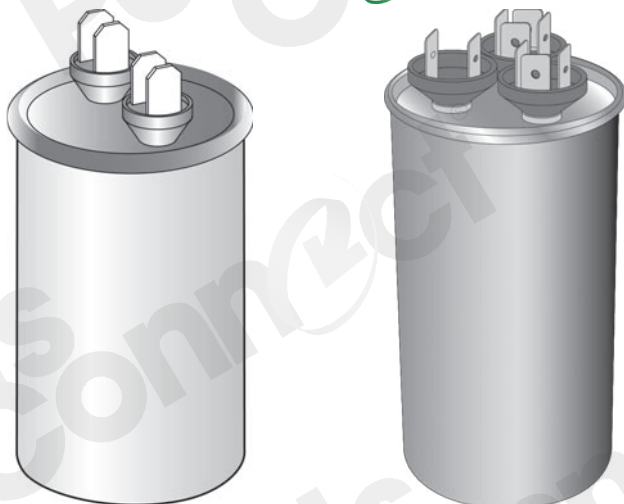
Part No.	MFD	Part No.	MFD
R5-370	5	R5-440	5
R7.5-370	7.5	R7.5-440	7.5
R10-370	10	R10-440	10
R12.5-370	12.5	R12.5-440	12.5
R15-370	15	R15-440	15
R17.5-370	17.5	R17.5-440	17.5
R20-370	20	R20-440	20
R25-370	25	R25-440	25
R30-370	30	R30-440	30
R35-370	35	R35-440	35
R40-370	40	R40-440	40
R45-370	45	R45-440	45
R50-370	50	R50-440	50
R55-370	55	R55-440	55
R60-370	60	R60-440	60
R70-370	70	R70-440	70
R80-370	80	R80-440	80
R100-370	100	R90-440	90

## DUAL ROUND RUN 370V 440V

Part No.	MFD	Part No.	MFD
RD1010-370	10+10	RD105-440	10+5
RD154-370	15+4	RD205-440	20+5
RD155-370	15+5	RD2015-440	20+15
RD205-370	20+5	RD253-440	25+3
RD253-370	25+3	RD255-440	25+5
RD255-370	25+5	RD2575-440	25+7.5
RD2575-370	25+7.5	RD2510-440	25+10
RD303-370	30+3	RD2515-440	25+15
RD304-370	30+4	RD303-440	30+3
RD305-370	30+5	RD304-440	30+4
RD3075-370	30+7.5	RD305-440	30+5
RD3010-370	30+10	RD3075-440	30+7.5
RD353-370	35+3	RD353-440	35+3
RD354-370	35+4	RD354-440	35+4
RD355-370	35+5	RD355-440	35+5
RD3575-370	35+7.5	RD356-440	35+6
RD3510-370	35+10	RD3575-440	35+7.5
RD403-370	40+3	RD3510-440	35+10
RD404-370	40+4	RD403-440	40+3
RD405-370	40+5	RD404-440	40+4
RD4075-370	40+7.5	RD405-440	40+5
RD4010-370	40+10	RD406-440	40+6
RD453-370	45+3	RD4075-440	40+7.5
RD455-370	45+5	RD4010-440	40+10
RD4575-370	45+7.5	RD453-440	45+3
RD4510-370	45+10	RD455-440	45+5
RD503-370	50+3	RD456-440	45+6
RD505-370	50+5	RD4575-440	45+7.5
RD5075-370	50+7.5	RD4510-440	45+10
RD5010-370	50+10	RD505-440	50+5
RD555-370	55+5	RD5075-440	50+7.5
RD5575-370	55+7.5	RD555-440	55+5
RD5510-370	55+10	RD5575-440	55+7.5
RD605-370	60+5	RD5510-440	55+10
RD6075-370	60+7.5	RD603-440	60+3
RD6010-370	60+10	RD605-440	60+5
RD705-370	70+5	RD6075-440	60+7.5
RD7075-370	70+7.5	RD6010-440	60+10
RD7010-370	70+10	RD60125-440	60+12.5
RD805-370	80+5	RD705-440	70+5
RD8075-370	80+7.5	RD7075-440	70+7.5
RD8010-370	80+10	RD7010-440	70+10
RD80125-370	80+12.5	RD805-440	80+5
		RD8075-440	80+7.5
		RD8010-440	80+10

OEM QUALITY  
ROUND CAPACITORS

Parts  
Connect



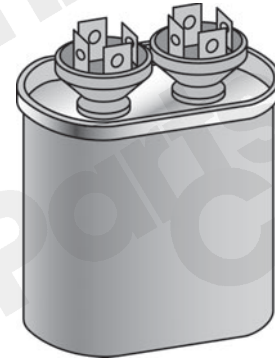
# CAPACITORS Made in USA

## OVAL RUN CAPACITORS

370 VOLT

440 VOLT

Part No.	Mfd	Part No.	Mfd
PCO2-370A	2μF	PCO2-440A	2μF
PCO3-370A	3μF	PCO2.5-440A	2.5μF
PCO4-370A	4μF	PCO3-440A	3μF
PCO5-370A	5μF	PCO4-440A	4μF
PCO6-370A	6μF	PCO5-440A	5μF
PCO7.5-370A	7.5μF	PCO6-440A	6μF
PCO10-370A	10μF	PCO7.5-440A	7.5μF
PCO12.5-370A	12.5μF	PCO10-440A	10μF
PCO15-370A	15μF	PCO12.5-440A	12.5μF
PCO17.5-370A	17.5μF	PCO15-440A	15μF
PCO20-370A	20μF	PCO17.5-440A	17.5μF
PCO25-370A	25μF	PCO20-440A	20μF
PCO30-370A	30μF	PCO25-440A	25μF
PCO35-370A	35μF	PCO30-440A	30μF
PCO40-370A	40μF	PCO35-440A	35μF
PCO45-370A	45μF	PCO40-440A	40μF
PCO50-370A	50μF	PCO45-440A	45μF
PCO55-370A	55μF	PCO50-440A	50μF
PCO60-370A	60μF	PCO55-440A	55μF
PCO70-370A	70μF	PCO60-440A	60μF
PCO80-370A	80μF	PCO70-440A	70μF
		PCO80-440A	80μF



Features:

- UL listed and CUL approved
- Individually boxed
- Metalized film
- Non PCB oil
- Hertz: 50/60
- Metal Cases
- Oil Filled
- Insulated Terminals



## ROUND RUN CAPACITORS

370 VOLT DUAL ROUND RUN CAPACITORS

440 VOLT DUAL ROUND RUN CAPACITORS

Part No.	Mfd	Part No.	Mfd
PCRD253-370A	25 + 3	PCRD453-370A	45 + 3
PCRD254-370A	25 + 4	PCRD455-370A	45 + 5
PCRD255-370A	25 + 5	PCRD457.5-370A	45 + 7.5
PCRD303-370A	30 + 3	PCRD4510-370A	45 + 10
PCRD304-370A	30 + 4	PCRD503-370A	50 + 3
PCRD305-370A	30 + 5	PCRD505-370A	50 + 5
PCRD307.5-370A	30 + 7.5	PCRD507.5-370A	50 + 7.5
PCRD3010-370A	30 + 10	PCRD5010-370A	50 + 10
PCRD353-370A	35 + 3	PCRD555-370A	55 + 5
PCRD354-370A	35 + 4	PCRD557.5-370A	55 + 7.5
PCRD355-370A	35 + 5	PCRD5510-370A	55 + 10
PCRD357.5-370A	35 + 7.5	PCRD605-370A	60 + 5
PCRD3510-370A	35 + 10	PCRD607.5-370A	60 + 7.5
PCRD403-370A	40 + 3	PCRD6010-370A	60 + 10
PCRD404-370A	40 + 4	PCRD805-370A	80 + 5
PCRD405-370A	40 + 5	PCRD807.5-370A	80 + 7.5
PCRD407.5-370A	40 + 7.5	PCRD8010-370A	80 + 10
PCRD4010-370A	40 + 10	PCRD8012.5-370A	80 + 12.5

Part No.	Mfd	Part No.	Mfd
PCRD105-440A	10+5	PCRD407.5-440A	40 + 7.5
PCRD205-440A	20 + 5	PCRD453-440A	45 + 3
PCRD2015-440A	20 + 15	PCRD455-440A	45 + 5
PCRD255-440A	25 + 5	PCRD456-440A	45 + 6
PCRD257.5-440A	25 + 7.5	PCRD457.5-440A	45 + 7.5
PCRD2510-440A	25 + 10	PCRD505-440A	50 + 5
PCRD2515-440A	25 + 15	PCRD507.5-440A	50 + 7.5
PCRD303-440A	30 + 3	PCRD555-440A	55 + 5
PCRD304-440A	30 + 4	PCRD557.5-440A	55 + 7.5
PCRD305-440A	30 + 5	PCRD605-440A	60 + 5
PCRD353-440A	35 + 3	PCRD607.5-440A	60 + 7.5
PCRD354-440A	35 + 4	PCRD6010-440A	60 + 10
PCRD355-440A	35 + 5	PCRD6012.5-440	60 + 12.5
PCRD356-440A	35 + 6	PCRD705-440A	70 + 5
PCRD357.5-440A	35 + 7.5	PCRD707.5-440A	70 + 7.5
PCRD403-440A	40 + 3	PCRD7010-440A	70 + 10
PCRD404-440A	40 + 4	PCRD805-440A	80 + 5
PCRD405-440A	40 + 5	PCRD807.5-440A	80 + 7.5
PCRD406-440A	40 + 6	PCRD8010-440A	80 + 10

# START CAPACITORS

## 125 VAC

Part No.	MFD (μF)
PC21-125	21-25
PC25-125	25-30
PC30-125	30-36
PC36-125	36-43
PC43-125	43-53
PC47-125	47-56
PC56-125	56-75
PC64-125	64-77
PC72-125	72-88
PC88-125	88-108
PC108-125	108-130
PC124-125	124-149
PC130-125	130-156
PC145-125	145-175
PC161-125	161-193
PC189-125	189-227
PC200-125	200-240
PC216-125	216-259
PC233-125	233-292
PC243-125	243-292
PC270-125	270-324
PC295-125	295-354
PC300-125	300-360
PC324-125	324-388
PC340-125	340-408
PC378-125	378-440
PC400-125	400-480
PC430-125	430-516
PC460-125	460-552
PC540-125	540-648
PC590-125	590-708
PC708-125	708-850
PC829-125	829-995
PC1000-125	1000-1200

## 250 VAC

Part No.	MFD (μF)
PC21-250	21-25
PC25-250	25-30
PC30-250	30-36
PC36-250	36-43
PC43-250	43-53
PC47-250	47-56
PC56-250	56-72
PC64-250	64-77
PC72-250	72-88
PC88-250	88-108
PC108-250	108-130
PC124-250	124-149
PC130-250	130-156
PC145-250	145-175
PC161-250	161-193
PC189-250	189-227
PC216-250	216-259
PC233-250	233-292
PC243-250	243-292
PC270-250	270-324
PC284-250	284-333
PC340-250	340-408
PC400-250	400-480
PC430-250	430-516

## 330 VAC

Part No.	MFD (μF)
PC21-330	21-25
PC25-330	25-30
PC30-330	30-36
PC36-330	36-43
PC43-330	43-53
PC47-330	47-56
PC56-330	56-72
PC64-330	64-77
PC72-330	72-88
PC88-330	88-108
PC108-330	108-130
PC124-330	124-149
PC130-330	130-156
PC135-330	135-155
PC145-330	145-175
PC161-330	161-193
PC189-330	189-227
PC216-330	216-259
PC270-330	270-324
PC300-330	300-360



# CAPACITORS Made in USA

## SINGLE ROUND RUN CAPACITORS

### 370 VOLT

Part No.	Mfd <sup>®</sup>
PCR10370A	10μF
PCR12.5370A	12.5μF
PCR15370A	15μF
PCR20370A	20μF
PCR25370A	25μF
PCR30370A	30μF
PCR35370A	35μF
PCR40370A	40μF
PCR45370A	45μF
PCR50370A	50μF
PCR5370A	5μF
PCR60370A	60μF
PCR7.5370A	7.5μF

### 440 VOLT

Part No.	Mfd
PCR10440A	10μF
PCR12.5440A	12.5μF
PCR15440A	15μF
PCR17.5440A	17.5μF
PCR20440A	20μF
PCR25440A	25μF
PCR30440A	30μF
PCR35440A	35μF
PCR40440A	40μF
PCR45440A	45μF
PCR50440A	50μF
PCR5440A	5μF
PCR55440A	55μF
PCR60440A	60μF
PCR7.5440A	7.5μF
PCR70440A	70μF
PCR75440A	75μF
PCR80440A	80μF



## DUAL OVAL CAPACITORS

### 370 VOLT

Part No.	Mfd
PCOD1510370A	15+10μF
PCOD154370A	15+4μF
PCOD155370A	15+5μF
PCOD2010370A	20+10μF
PCOD2015370A	20+15μF
PCOD405370A	40+5μF
PCOD455370A	45+5μF

### 440 VOLT

Part No.	Mfd
PCOD305440A	30+5μF
PCOD355440A	35+5μF
PCOD405440A	40+5μF
PCOD455440A	45+5μF
PCOD505440A	50+5μF
PCOD605440A	60+5μF



# SIGMA CAP PRO™ CAPACITORS

**ALWAYS HAVE THE RIGHT CAPACITOR TO FINISH THE JOB THE FIRST TIME!**

- Replaces hundreds of different capacitor sizes both singles and duals.
- All units dual rated for 370/440 VAC.
- Simple to use.
- Finish the service job in just one trip. You always have the right size capacitor!
- Each pod can be used as a stand alone unit or stacked to get the MFD value needed.
- Reduces truck stock.
- Saves time and trips the parts house.
- Permanent fix. No reason to return to the job!
- Sigma Cap holds a US Patent.
- Individual pods available so you can adjust stock for your most common builds.
- Rotate and stack the pods to add capacitance on the correct side to build the dual capacitor needed.
- Starter Kits supplied in a reusable clear container.
- Made in the USA



**Parts Connect**



**SCKIT**  
Starter KIT

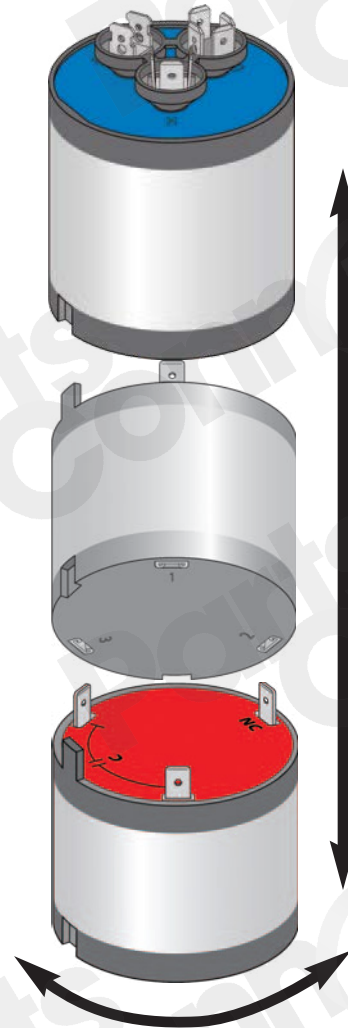
Add up the numbers down each side to confirm the MFD rating!

Part No.	Kit Qty	Value	Body Height	Term Height	Total Height	Dia.
<b>SC255</b>	1	25/5 $\mu$ F	2.63"	0.531"	3.161"	2.5"
<b>SC2575</b>	1	25/7.5 $\mu$ F	2.63"	0.531"	3.161"	2.5"
<b>SC3</b>	1	2.5 $\mu$ F	1.938"	0.289"	2.227"	2.5"
<b>SC5</b>	2	5 $\mu$ F	1.938"	0.289"	2.227"	2.5"
<b>SC10</b>	1	10 $\mu$ F	1.938"	0.289"	2.227"	2.5"
<b>SC15</b>	2	15 $\mu$ F	2.1"	0.289"	2.389"	2.5"
<b>SC20</b>	2	20 $\mu$ F	2.1"	0.289"	2.389"	2.5"
<b>SC30</b>	1	30 $\mu$ F	2.1"	0.289"	2.389"	2.5"
<b>SCEC</b>	2	ENDCAP				2.5"
<b>SCEC-6</b>	-	ENDCAP, 6-PACK				2.5"

SCAN FOR BUILD CALCULATOR



[www.sigmacapro.com](http://www.sigmacapro.com)



Rotate and stack the pods to add capacitance on the correct side to build the dual capacitor needed



# TERMINALS

SKU	Description
T1107	18-22 Wire Non-Insulated 7/64" QC Female Terminal - 100 Pk
T1107C	18-22 Wire Non-Insulated 7/64" QC Female Terminal - 100 Pk
T1107P	18-22 Wire Non-Insulated 7/64" QC Female Terminal - 20 Pk
T1111C	14-16 Wire High Heat Non-Insulated 1/4" QC Female Terminal - 100 Pk
T1111P	14-16 Wire High Heat Non-Insulated 1/4" QC Female Terminal - 20 Pk
T1112C	10-12 Wire High Heat Non-Insulated 1/4" QC Female Terminal - 100 Pk
T1112P	10-12 Wire High Heat Non-Insulated 1/4" QC Female Terminal - 15 Pk
T1115C	14-16 Wire Non-Insulated High Heat #10 Ring - 100 Pk
T1115P	14-16 Wire Non-Insulated High Heat #10 Ring - 20 Pk
T1116C	14-16 Wire Non-Insulated High Heat 1/4" Ring - 100 Pk
T1116P	14-16 Wire Non-Insulated High Heat 1/4" Ring - 20 Pk
T1117C	10-12 Wire Non-Insulated High Heat #10 Ring - 100 Pk
T1117P	10-12 Wire Non-Insulated High Heat #10 Ring - 20 Pk
T1118C	10-12 Wire Non-Insulated High Heat 1/4" Ring - 100 Pk
T1118P	10-12 Wire Non-Insulated High Heat 1/4" Ring - 20 Pk
T1119C	18-22 Wire Non-Insulated Butt Connector - 100 Pk
T1119P	18-22 Wire Non-Insulated Butt Connector - 20 Pk
T2111C	14-16 Wire Non-Insulated Butt Connector - 100 Pk
T2111P	14-16 Wire Non-Insulated Butt Connector - 20 Pk
T2112C	10-12 Wire Non-Insulated Butt Connector - 100 Pk
T2112P	10-12 Wire Non-Insulated Butt Connector - 15 Pk
T1121C	2 Male X 1 Female 1/4" Chair Terminal - 100 Pk
T1121P	2 Male X 1 Female 1/4" Chair Terminal - 10 Pk
T1122C	2 Male X 1 Female 1/4" Male Splitter Terminal - 100 Pk
T1122P	2 Male X 1 Female 1/4" Male Splitter Terminal - 10 Pk
T1123C	#10 Stud to 1/4" Male Spade Terminal -100 Pk
T1123P	#10 Stud to 1/4" Male Spade Terminal -10 Pk
T1124C	1/4" Female QC Adapts 1/4" Male Spade to Screw Terminal -100 Pk
T1124P	1/4" Female QC Adapts 1/4" Male Spade to Screw Terminal -10 Pk
T1125C	(1) 1/4" Female Piggy Back + (2) 1/4" Male Spade -100 Pk
T1125P	(1) 1/4" Female Piggy Back + (2) 1/4" Male Spade -10 Pk
T1129C	8-12 Wire Non-Insulated Compressor Terminal 1/4" Female QC - 100 Pk
T1129P	8-12 Wire Non-Insulated Compressor Terminal 1/4" Female QC - 10 Pk
T1130C	14-16 Wire Non-Insulated Compressor Terminal 1/4" Female QC - 100 Pk
T1130P	14-16 Wire Non-Insulated Compressor Terminal 1/4" Female QC - 10 Pk
T1150C	Medium Wire Connector With Spring Insert - Blue - 100 Pk
T1150P	Medium Wire Connector With Spring Insert - Blue - 20 Pk
T1151C	Medium/Large Wire Connector With Spring Insert - Orange - 100 Pk
T1151P	Medium/Large Wire Connector With Spring Insert - Orange - 15 Pk
T1152C	Large Wire Connector With Spring Insert - Yellow - 100 Pk
T1152P	Large Wire Connector With Spring Insert - Yellow - 15 Pk
T1153C	Extra-Large Wire Connector With Spring Insert - Red - 100 Pk
T1153P	Extra-Large Wire Connector With Spring Insert - Red - 10 Pk
T1164C	Small Porcelain Wire Connector - 100 Pk
T1164P	Small Porcelain Wire Connector - 15 Pk
T1165C	Medium Porcelain Wire Connector - 100 Pk
T1165P	Medium Porcelain Wire Connector - 15 Pk
T1166C	Winged Wire Connector - Yellow - 100 Pk
T1166P	Winged Wire Connector - Yellow - 15 Pk
T1167C	Winged Wire Connector - Red - 100 Pk
T1167P	Winged Wire Connector - Red - 15 Pk
T1168C	Winged Wire Connector - Grey - 100 Pk
T1168P	Winged Wire Connector - Grey - 10 Pk

# A/C EVAPORATORS

## “A” COIL UPFLOW



- Antimicrobial Additive Resists Mold and Mildew Growth
- High Temperature Polymer UV Resistant Pan
- External Mounted Fluator Metering Device
- Foil faced Insulation
- Rifled Tubing
- Left & Right Hand Service Available
- The Fitting Access Direction is Indicated with L or R at end of the Part Number (Right is also available)
- Enhanced Fin Design
- Five (5) Year Warranty

## R410A 13 SEER COMPATIBLE EVAPORATORS (PISTON)

### 13 SEER UNCASED

#### Dimensions



BTU	<u>Steel Coil</u>	W	D	H
24,000	<b>13U24-4L</b>	13"	19½"	11"
30,000	<b>13U30-4L</b>	13"	19½"	13"
36,000	<b>13U36-4L</b>	14"	19½"	15"
42,000	<b>13U42-4L</b>	15½"	19½"	19"
48,000	<b>13U48-4L</b>	17"	19½"	21"
60,000	<b>13U60-4L</b>	20"	19½"	25"

### 13 SEER CASED

#### Dimensions



BTU	<u>Model No.</u>	W	D	H
24,000	<b>13C24-4L</b>	14½"	20½"	16½"
30,000	<b>13C30-4L</b>	17½"	20½"	16½"
36,000	<b>13C36-4L</b>	17½"	20½"	16½"
42,000	<b>13C42-4L</b>	21"	20½"	20½"
48,000	<b>13C48-4L</b>	21"	20½"	22½"
60,000	<b>13C60-4L</b>	24½"	20½"	25½"

\* The Fitting Access Direction is Indicated with L or R at end of the Part Number (Right is also available)

## EVAPORATOR COILS FOR MANUFACTURED HOUSING

- Sloped drain pan for lower water retention
- 5 year warranty on “MH” series coils
- Downflow drip shields are molded into drain pan
- Down-turned headers for easy lineset adaption
- R22 orifice factory installed. R410A compatible

Tonnage	<u>Model</u>	W	D	H
2.5 - 3	<b>MH36</b>	18"	19½"	15"
3.5 - 4	<b>MH48</b>	18"	19½"	19"



# A/C EVAPORATORS

## 13 SEER COPPER HORIZONTAL COILS

Side refrigerant service, bi-flow airflow, dual drains on either side with R-410A Piston & threaded TXV access port

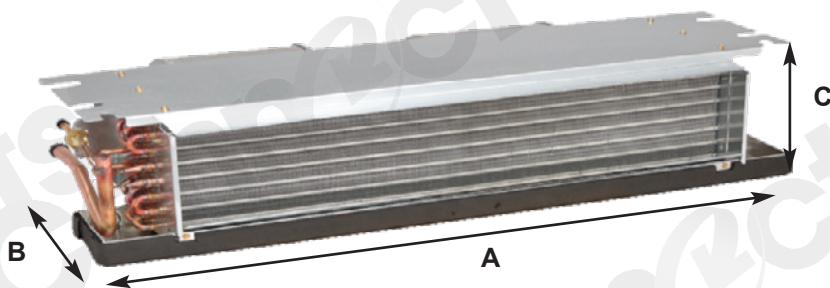
- Rifled Copper Tubing
- Short Cabinet with Easy Access
- Lanced Fin Design
- Dual 3/4" FPT condensate drains on front and back of coil allows placement to accommodate left or right airflow furnaces
- Side panel with only six screw for fast and easy coil access
- Refrigerant connections are 3/8" ODF liquid and 7/8" ODF suction
- Non-captive panels allow access to inside of cabinet without the need to cut refrigerant lines



BTU	Model No.	W	D	H	Piston
24,000	<b>13H24S14</b>	14 $\frac{1}{4}$ "	21 $\frac{1}{2}$ "	21 $\frac{1}{2}$ "	53
36,000	<b>13H36S14</b>	14 $\frac{1}{4}$ "	21 $\frac{1}{2}$ "	26 $\frac{1}{2}$ "	67
36,000	<b>13H36S17</b>	17 $\frac{1}{2}$ "	21 $\frac{1}{2}$ "	26 $\frac{1}{2}$ "	67
48,000	<b>13H48S17</b>	17 $\frac{1}{2}$ "	21 $\frac{1}{2}$ "	26 $\frac{1}{2}$ "	76
48,000	<b>13H48S21</b>	21"	21 $\frac{1}{2}$ "	26 $\frac{1}{2}$ "	76
60,000	<b>13H60S21</b>	21"	21 $\frac{1}{2}$ "	26 $\frac{1}{2}$ "	93
60,000	<b>13H60S24</b>	24 $\frac{1}{2}$ "	21 $\frac{1}{2}$ "	26 $\frac{1}{2}$ "	93

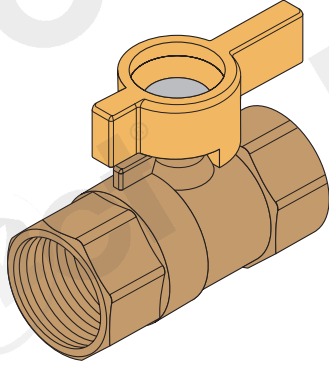
## FUR DOWN COILS

Model	Heat	A	B	C	Blower	Airflow (CFM) vs. External Static Pressure (inches W.C.)				
						0.1	0.2	0.3	0.4	0.5
<b>AH18FDNH</b>	NA	37"	19.5"	10.5"	Low	610	536	468	392	316
<b>AH18FD05</b>	5kw				High	680	607	532	456	368
<b>AH23FDNH</b>	NA	37"	19.5"	10.5"	Low	846	777	702	627	546
<b>AH23FD05</b>	5kw				High	902	830	755	667	589
<b>AH24FDNH</b>	NA	43"	20.5"	10.5"	Low	833	781	725	658	580
<b>AH24FD05</b>	5kw				High	1039	976	903	825	728
<b>AH30FDNH</b>	NA	49"	20.5"	10.5"	Low	839	771	706	644	553
<b>AH30FD08</b>	8kw				High	1050	975	900	820	744



AH\*\*FNDH - fur down AH with no heat  
 AH\*\*\*05 - 5kw heat with pull disconnect  
 AH\*\*\*08 - 8kw heat with pull disconnect

# GAS CONNECTORS & FITTINGS

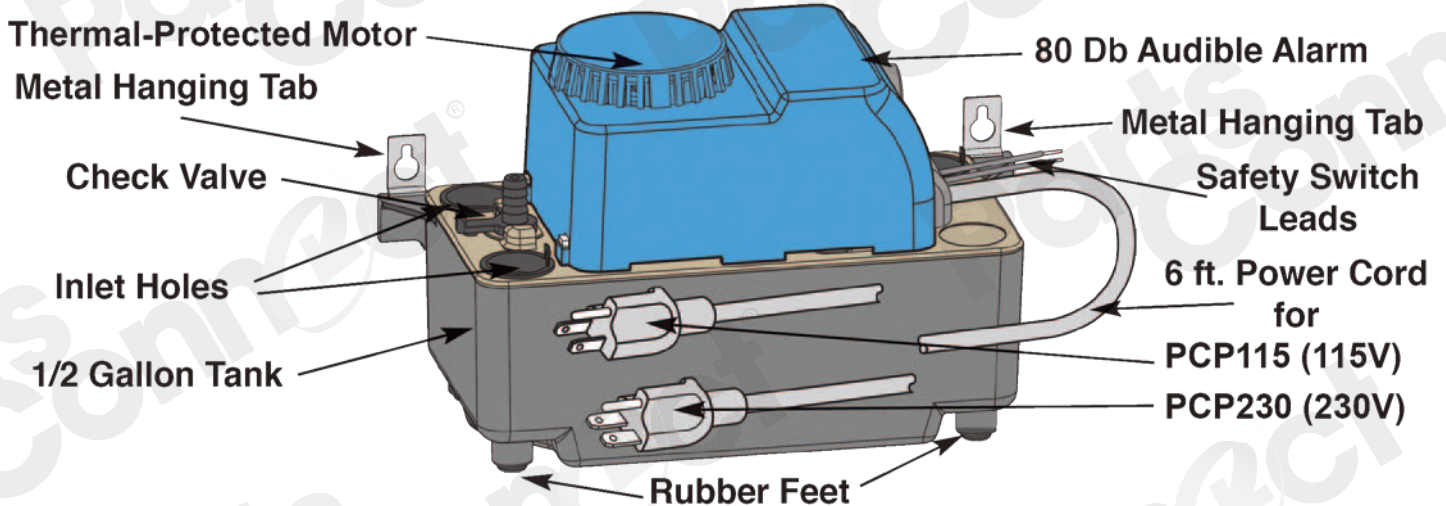


## BRASS GAS COCK

Part No.	FIP x FIP
<b>GC12</b>	1/2" x 1/2"
<b>GC34</b>	3/4" x 3/4"

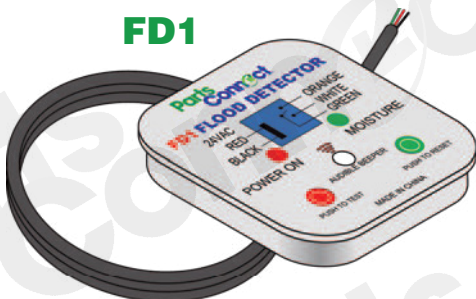
# CONDENSATE PUMP WITH AUDIBLE ALARM MAXIMUM WORK LIFT 20 GPH TO 20 FT.

Top Snaps Off for Tank Inspection



Part No.	Volts	Amps	HP	Flow Rate Capacity (GPH) at						
				1ft	5ft	10ft	15ft	20ft	22ft	24ft
<b>PCP115</b>	115	1.5	1/10	99	87	69	48	20	10	0
<b>PCP230</b>	230	0.8	1/10	96	83	64	42	12	2	0

## FD1



## FLOOD DETECTOR WITH AUDIBLE ALARM

A solid state device designed to detect the presence of condensate water overflow. Upon sensing moisture, the audible alarm will sound, and will turn the system off to help prevent damage to carpets, walls, woodwork, ceilings and other property. The area to be monitored can be enlarged by connecting one or more FD1 Flood Detectors in series.

# MINI SPLIT CONDENSATE PUMPS

## DE05LUB100 Mini Flowatch (120 V) or DE05LUB110 Mini Flowatch 2 (240 V)

Compact, silent (< 21 dBA) condensate pump for small to medium air conditioning systems (up to 42K BTU). 3 wire installation with easy connect/disconnect features. Long life, piston style pump with alarm and NO/NC safety switch.

- Silent operation, less than 21 dBA
- Optional mounting kit GC1KFX2010
- CE / ETL Listed / CSA certified
- 2 year warranty
- High quality, manufactured to ISO9001 standards
- Small size and easy installation
- NO/NC safety switch shuts system down in event of overflow
- Alarm sounds for overflow condition
- Thermal protection to prevent overheating
- Waterproof connections prevents water ingress
- Piston pump provides long life



## DE05LUE020 Mini Flowatch Vision Univolt

A compact, wall-mounted condensate removal pump designed for air conditioning systems. Its versatile design allows for four installation configurations: horizontally or vertically, on either side of the air conditioner

- Flexible Installation
- Compact Design
- Quiet Operation
- Easy Maintenance
- Removable Filter
- Maximum Flow Rate: 15 liters per hour (4 gallons per hour)
- Maximum Discharge Head: 10 meters (33 feet)
- Electrical Power: 19 W
- Voltage: Univolt 100-250V, 50/60Hz
- Alarm Contacts: NO/NC
- Protection Rating: IP20
- Thermal Protection: Yes
- Operating Cycle: 70%
- Power/Alarm Cable Length: 1.4 meters (4.59 feet)
- Certifications: ETL



# SECOP COMPRESSORS

The Secop range of hermetic reciprocating compressors packs a mighty punch in a small package. Compact design, efficient motors and low energy consumption are the main features in hermetic compressors that build on over 50 years of reliability and quality.

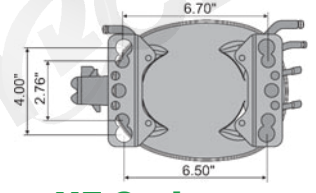
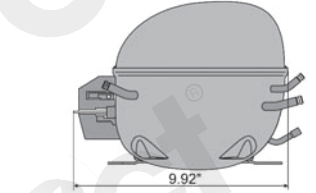
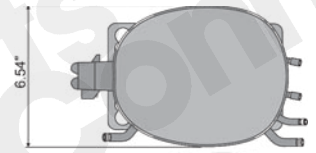
This chart contains information on Secop hermetic refrigeration compressors for fixed voltages ranging from 115 V to 240 V.

All of the compressor types are designed for refrigeration systems using the designated refrigerants listed below.

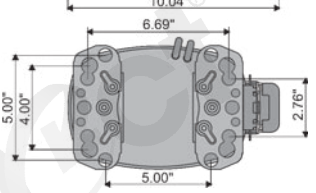
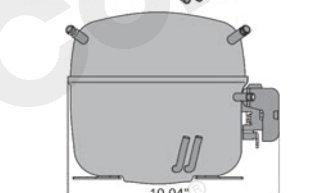
<u>Part No.</u>	<u>Capacity*</u>	<u>HP</u>	<u>Volts</u>	<u>H</u>	<u>Cross Reference</u>
<b><u>R134A Models</u></b>					
<b>KLE4-8CFHX</b>	477 LBP				EMI45HER AEA1338XYA
	1790 HBP	1/8	115	6.81"	EMI45HHR AEA3417YXA TFS4.5FT
<b>KLE6-6CFHX</b>	722 LBP				FF8.5HBK AEA1360YXA
	2796 HBP	1/5	115	7.76"	FF7.5HBK AEA3425YXA NF6.1FX.2
<b>KLE7-7CFHX</b>	894 LBP	1/4	115	7.76"	FF10HBK NF7.3FX.2
	3341 HBP				FF8.5HBK AEA4431YXA
<b>NF8-4FX-2</b>	1032 LBP	1/4	115	7.76"	NE2121Z AEA2410YXA
	3767 HBP				FF10HBX AEA4430YXA
<b>NF11FX</b>	1101 LBP	1/3	115	8"	NE2121Z AEA2410YXA
	4164 HBP				NEK6187Z AEA4440YXA
<b>NF11FX-2</b>	1250 LBP	1/4+	115	8"	FFI12HBX AEA2413YXA
	4840 HBP	1/3+			NE6210Z AEA4448YXA
<b>SC15G</b>	5606 HBP	1/2	115	8.23"	NT6213Z AEA4450YXA
<b>SC18G</b>	6291 HBP	1/2+	115	8.62"	NT6215Z AEA4460YXA
<b>SC21G</b>	1516 LBP	2/5+	198	8.62"	~ AKA4476YXD
<b><u>R404A Models</u></b>					
<b>NF5-5CLX</b>	1250 LBP	1/3	115	7.76"	NEK2121GK AEA2411ZXA
	3740 HBP				NE6131GK AE4440Z
<b>NF7CLX</b>	1545 LBP	1/3+	115	8"	NEK2125GK AEA2411ZXA
	4760 HBP				NE6120GK AKA9438ZXA
<b>SC10CL</b>	1424 LBP	1/3	115	8.23"	NEK2134GK AEA2419ZXA
<b>SC12CL</b>	2382 LBP	1/2	115	8.23"	NEK2150GK AEA2425ZXA
<b>SC12CLX-2</b>	2472 LBP	1/2	115	8.23"	NT2168GKV AEA2425ZXA
<b>SC15CLX-2</b>	3011 LBP	3/4	115	8.62"	NT2178GKV AJB2433ZXA
<b>SC15CLX-2-2</b>	3011 LBP	3/4	240	8.62"	NT2178GKV AJB2433ZXA
<b>SC18CLX-2-2</b>	3666 LBP	3/4	240	8.62"	NT2180GKV AJB2444ZXD
<b>SC12MLX</b>	7909 HBP	1/2+	115	8.62"	NT6220GKV AKA9455ZXA
<b>SC12MLX-2</b>	7909 HBP	1/2+	240	8.62"	NT6217GKV AJA7455ZXD
<b>SC15MLX</b>	9433 HBP	3/4	115	8.62"	NT6222GKV AJE513ZHZ
<b>SC15MLX-2</b>	9433 HBP	3/4	240	8.62"	NT6222GKV AJE513ZHD1
<b>SC18MLX</b>	11135 HBP	1	115	8.62"	NT6224GKV ~
<b>SC18MLX-2</b>	11135 HBP	1	240	8.62"	NT6224GKV AJA7490ZXD

\*Capacity BTU/Hr. @ LBP @ -10°F, HBP @ 45°F

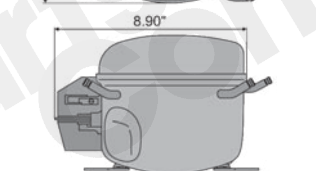
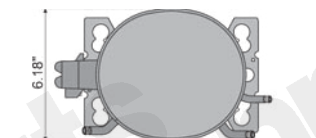
## SECOP



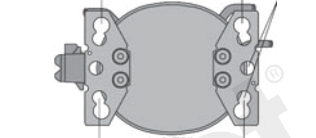
## NF Series



## SC Series



## TF Series

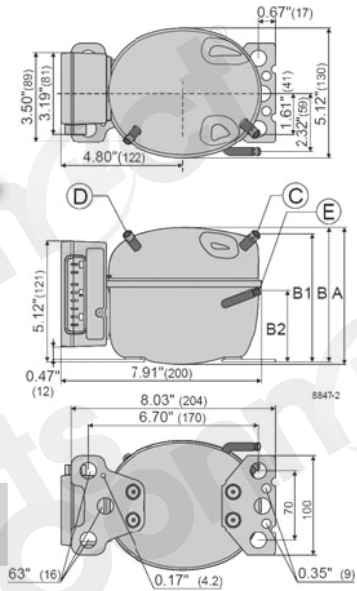


# SECOP COMPRESSORS

BD compressors are direct current (DC) compressors for 12/24 V DC power supply. Can be used in mobile refrigerators and freezers using R134a refrigerant. Used for transportation of items from 0°F - 46°F. For Cooling boxes from 18 - 150 liters.

Designed to meet harsh road conditions of a chassis mounted refrigerator. They are unsurpassed in their ability to tolerate changeable climatic conditions and vibrations. Also used in equipment to transport medicines, vaccines, blood plasma and organs.

The electronic unit is mounted on the compressor, no additional mounting is required.



**Direct Current Compressor R134a, 12/24V DC  
-30°C, +10°C Evap. Temp. Controller Included**

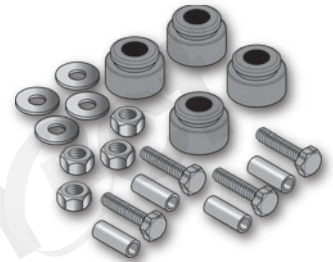
Part No.	Application	Cooling Capacity	H	Cross Reference
<b>BD35FHD2</b>	LBP/MBP/HBP	15 - 140 W 51.15 - 277.4 BTU/Hr	5.39"	101Z0205
<b>BD50F</b>	LBP/MBP/HBP	20 - 190 W 68.2 - 647.9 BTU/Hr	5.39"	101Z0203

## CONTROLLERS for BD35F/BD50F & MOUNTING KIT



Part No.	Description
<b>101N0242</b>	BD35/50F Controller
<b>101N0420</b>	Solar Controller
<b>101N0510</b>	AC/DC Controller

**118-1949  
Mounting Kit**

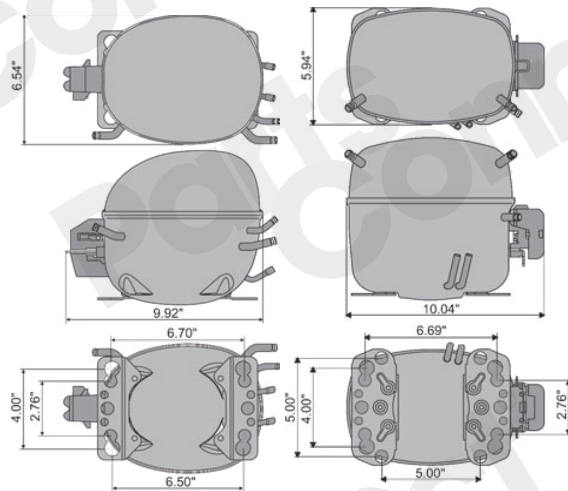


**SECOP**

## COMPRESSORS for MANITOWOC

Part No.	Capacity*	HP	Voltage	Cross Reference
<b>NF7CLX-1</b>	1545 LBP	1/3+	115V	7601323, 8251193
<b>SC15MLX-1</b>	9433 HBP	3/4	115V	000002206
<b>SC15MLX-2</b>	9433 HBP	3/4	230V	000002207
<b>SC18MLX-1</b>	11135 HBP	1	115V	8253493

All above use R404a refrigerant



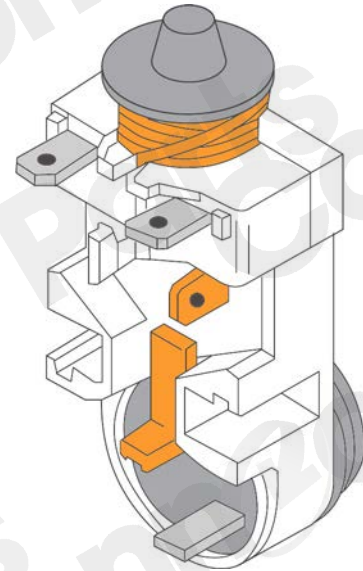
**NF Series**

**SC Series**

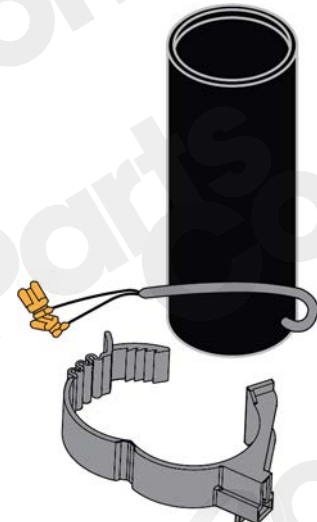
# SECOP COMPRESSOR COMPONENTS

Model	Voltage	Relay or Start Device	Capacitor or Start Device
TF4CLX	115/60	117U4148	117U5025
TFS4.5CLX	115/60	117U4148	117U5025
KLE4.8GFHX	115/60	117U7082	117U5002
KLE4.0GFMX	115/60	117U7081	117U5002
NF5.5CLX	115/60	117U4061	117U5025
NF5.5FX	115/60	117U4127	117U5025
PC660L (NF6FK)	115/60	117U4132	117U5022
NF6.1FX.2	115/60	117U4127	117U5025
NF7CLX	115/60	117U4129	117U5022
PC836L (NF7FK)	115/60	117U4132	117U5022
NF7.3FX.2	115/60	117U4061	117U5025
NF8.4FX.2	115/60	117U4129	117U5025
PC990L (NF9FX)	115/60	117U4129	117U5025
NF11FX	115/60	117U4123	117U5028
NF11FX.2	115/60	117U4151	117U5028
SC10CL	115/60	117U6020	117U5023
SC12CL	115/60	117U6020	117U5023
SC12CLX.2	115/60	117U6020	117U5023
SC12MLX	115/60	117-7053	--
SC12MLX.2	220/50-60	117U6011	117U5017
SC15CLX.2	115/60	117-7053	--
SC15CLX.2	220/60	117-7039	--
SC15G	115/60	117U6020	117U5023
SC15MLX	115/60	117-7053	--
SC15MLX.2	220/60	117-7053	--
SC18CLX.2	115/60	117-7045	--
SC18CLX.2	220/60	117-7066	--
SC18G	115/60	117-7441	117U5042
SC18MLX	115/60	117-7045	--
SC18MLX	220/60	117-7066	--
<b>R290 Compressors</b>		CSCR	CSIR
KLF4.0CNH	115/60	117U7074	117U5002
KLF4.8CNH	115/60	117U7072	117U5002
KLF5.6CNH	115/60	117U7075	117U5002
KLF6.6CNH	115/60	117U7076	117U5002
KLF7.7CNH		117U7078	117U5002
NLE8.0CN	115/60	117U7014	117U5073
NLE8.8CN	115/60	117U7013	117U5025
NLE11CNL	115/60	117U7020	117U5039
NLE11MN	115/60	117U7020	117U5073
SCE15CNX	115/60	117-7801	117-7802
SCE15MNX	115/60	117-7801	117-7802
SCE18CNLX	115/60	117-7801	
SCE18MNX	115/60	117-7805	117-7803
SCE21CNXL	115/60	117-7809	
SCE15CNLX-230 CSCR	230/60	117-7808	
SCE15CNLX-230 CSIR	230/60	117U7413	117U5076
SCE15MNX-230 CSCR	230/60	117-7809	
SCE15MNX-230 CSIR	230/60	117U7401	117U5076
SCE18CNLX-230 CSCR	230/60	117-7809	
SCE18CNLX-230 CSIR	230/60	117U7413	117U5076
SCE18MNX-230 CSCR	230/60	117-7807	
SCE18MNX-230 CSIR	230/60	117U7412	117U5076
SCE21CNLX-230 CSCR	230/60	117-7811	
SCE21CNLX-230 CSIR	230/60	117U7407	117U5076

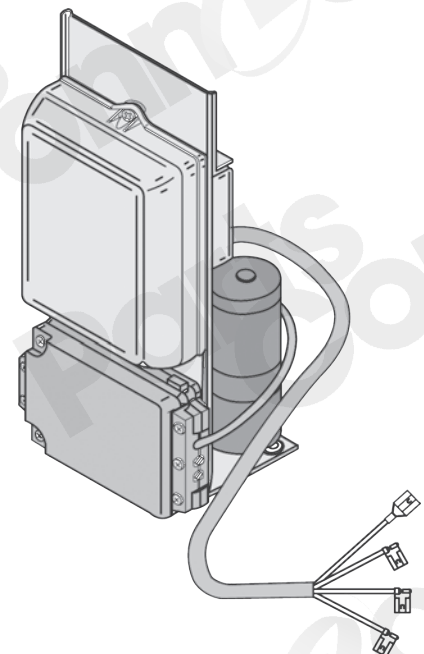
Relay



Capacitor



Start Device



# SCROLL & ROTARY COMPRESSORS

## BSONYO SCROLL COMPRESSORS

R410A scroll compressors rated at 45° Fahrenheit with a discharge size of 1/2 in and a return size of 7/8 in. Compatible to replace a Copeland compressor. Comes with a 18 in, 10 gauge compressor wire harness and ring terminal leads.



Model	Capacitor	Copeland Cross Reference	LG Cross Reference	Nidec / Embraco Cross Reference	BTU	Phase	Volts
<b>SBP105H16A</b>	60-440	ZP36K5E-PFV FP ZP37LXEPFV800	MP ABG036KACS	EAF36H-C1-NABA	35,826	1	208/230
<b>SBP120H16A</b>	60-440	ZP42K5EPFV830 FP ZP42LXEPFV800	MP ABG042KACS	EAF42H-C1-NABA	41,285	1	208/230
<b>SBP140H16A</b>	60-440	ZP49K5EPFV830 ZP51K5EPFV830 FP ZP51LXEPFV800	MP ABG051KACS	EAF49H-C1-NABA	48,792	1	208/230
<b>SBP170H16Y</b>	60-440	FP ZP54K5EPFV830 ZPB1K5E-PFV FP ZP57LXE-PFV-830		EAF61H-C1-NABA	58,004	1	208/230
<b>SBP170H36A</b>	none	ZP54K5ETF5830 ZP57K5ETF5830			59,369	3	208/230/3

## ROTARY COMPRESSORS BY GMCC

R410A rotary compressors rated at 45° Fahrenheit with a discharge size of 1/2 in and a return size of 7/8 in. Compatible to replace a Copeland compressor. These rotary compressors will replace a scroll compressor with the provided kit.

Model	Capacitor	Copeland Cross Reference	BTU	Discharge	Return	Volts
<b>ASF200N1UKP</b>	55-440	ZP20K5EPFV830	20,700	3/8 in 9.8 mm	1/2 in 12.9 mm	208/230
<b>KSF210N1VETB3</b>	60-440	ZP24K5EPFV830	R32-27,200 R410A-25,000	5/16 in 8.1 mm	1/2 in 12.9 mm	208/230
<b>ASG300N1UMT</b>	60-440	ZP29K5EPFV830	30,500	3/8 in 9.8 mm	5/8 in 16.2 mm	208/230
<b>ASQ330N1UMU</b>	60-440	ZP36K5EPFV830	34,070	3/8 in 9.8 mm	5/8 in 16.2 mm	208/230



Replace This  
Scroll Compressor With

This Rotary Compressor With  
The Provided Re-Piping  
Kit In The Box



**Parts  
Connect**



The units below are replacements for PTAC units, mini-splits, and window units.

Model	Capacitor	BTU	Discharge	Return	Volts
<b>KSM106E2UDZK</b>	70-370	11225 R32 / 12607 R410A	5/16 in	3/8 in	115
<b>KSM106N1VDZK</b>	35-370	13341 R32 / 13546 R410A	5/16 in	3/8 in	240
<b>KSM113N1UDZ</b>	40-370	11533 R32 / 11601 R410A	5/16 in	3/8 in	208-230

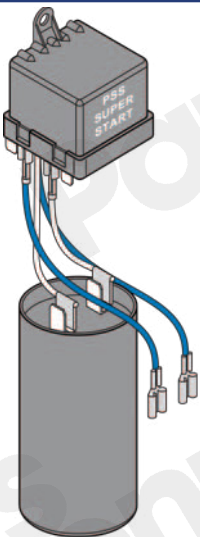
# HARD START KITS & START RELAYS

## START ASSIST Relay & Hard Start Capacitor

For systems with capillary tubes or fixed restrictors, a Positive Temperature Coefficient (PTC) hard start device is recommended. For applications where a backup safety timer is desired, use the PSA8 Electronic Potential Relay and Hard Start Kit.



Part No.	Replaces	HP Range	Boost	Voltage
<b>Positive Temperature Coefficient (PTC) Hard Starts</b>				
<b>PSA5</b>	SPP5	1/2 - 10hp	300%	120V - 288V
<b>PSA6</b>	SPP6	1/2 - 10hp	500%	90V - 277V
<b>PSA7</b>	SPP7S	1½ - 10hp	600%	115V - 288V
<b>Electronic Relay &amp; Hard Start Capacitor</b>				
<b>PSA8</b>	SPP8E	1/2 - 5hp	189-227µF	170V - 288V



## THE ULTRA SERIES 2-WIRE MECHANICAL POTENTIAL RELAY & HARD START KIT

For use on all Single Phase Reciprocating, Scroll and Rotary compressors; 208V, 230V & 265V

- OEM Approved Technology
- Voltage Sensing
- Easy 2-wire installation
- Instant Restart

Part No.	Application	Replaces
<b>PSS5</b>	1 to 3 hp	Kickstart TO-5, MPR5
<b>PSS1</b>	3.5 to 5 hp	Kickstart KS-1, MPR1

## 3-n-1 Complete Start Series • Relay-Start Capacitor-Overload

A must have for truck stock - reduce callbacks - replace 1/12 to 1/2 hp.

### Features

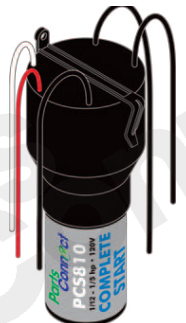
- Replaces relay, capacitor and overload for one low price
- Completely pre-wired, simply push on 3 female pin terminals
- "Push-on" compressor terminals, and 1/4" capacitor terminals
- Designed for modern high efficiency compressors
- Helps older compressors to start and run cooler
- Easy mount clip for quick installation
- Prevents low voltage starting problems
- Easy to read instructions

### Applications

- Domestic Refrigerator Compressors to 1/2 hp
- Light Commercial Refrigeration Compressors to 1/2 hp
- Works on "RSIR", "CSIR", "PSC", & "CSR" compressors



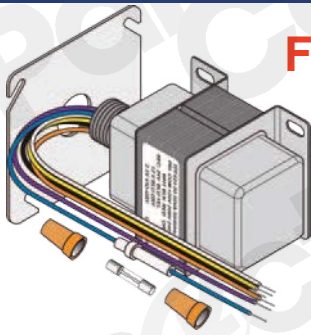
115 Volt Systems  
WITH or  
WITHOUT Run  
Capacitor



Part No.	HP	RLA	Replaces
<b>PCS210</b>	1/3 - 1/2 HP	12a	URCO210, TQS21, 600-210
<b>PCS410</b>	1/4 - 1/3 HP	6a	URCO410, RCO410, ERPU410, ERP410, 600-410, WRX-4, TQS41, HS41
<b>PCS810</b>	1/12 - 1/5 HP	3.5a	URCO810, RCO810, ERPU810, ERP810, HS81, WRX-8, TQS81, 600-810

# TRANSFORMERS

## FIT-ALL MULTI-TAP PLATE/FOOT MOUNT



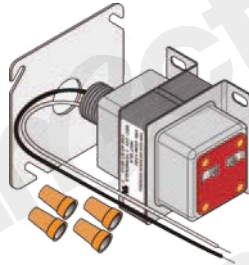
24 VOLT TRANSFORMER WITH 2.5 V GLOW COIL TAP  
IDEAL FOR SERVICE TRUCK STOCK

- HAS PRIMARY TAP OPTIONS OF 120, 208, & 240 VAC AND SECONDARY TAPS FOR 24, 12, OR 2.5 VAC
- RATED 50 VOLT-AMPERES MAXIMUM

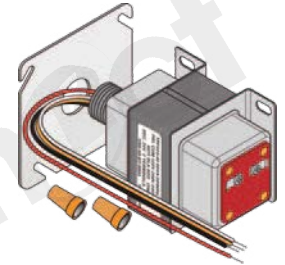
**PCTPF424-50**

## 40 VA PLATE/FOOT MOUNT 24V TRANSFORMERS

Primary	Part No.
120	<b>PCTPF124-40</b>
208/240	<b>PCTPF324-40</b>
120/208/240	<b>PCTPF424-40</b>



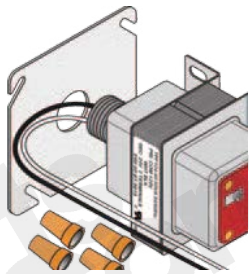
**Parts  
Connect**



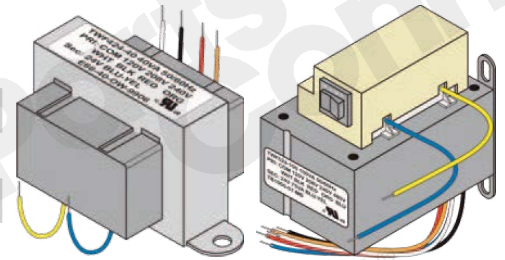
## LONG-WAY FOOT-MOUNT FOR SPACE-SAVING INSTALLATIONS

24 VOLT SECONDARY

Mounting



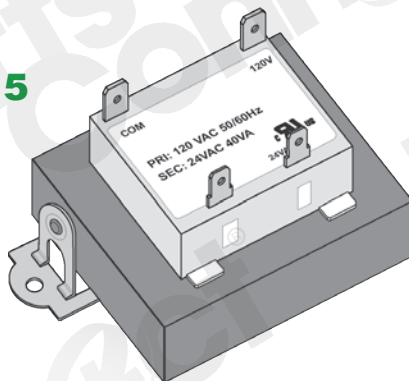
Primary	VA	Holes	Part No.
120	40	3 1/8"	<b>PCTWF124-40</b>
230	40	3 1/8"	<b>PCTWF224-40</b>
120/208/240	40	3 1/8"	<b>PCTWF424-40</b>
120/208/240/480	75	3 1/8"	<b>PCTWF524-75*</b>
120/208/240/480	100	3 1/8"	<b>PCTWF524-100*</b>



*\*Fused Secondary*

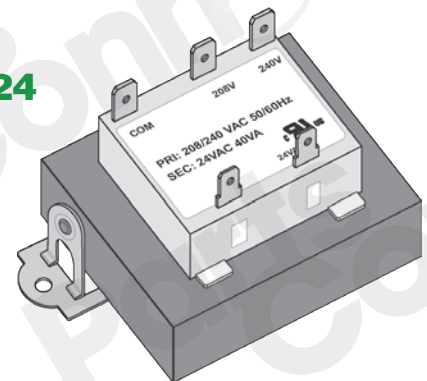
## FOOT MOUNT TRANSFORMERS

**PC40115**



PRIMARY TAP: 120 VAC  
SECONDARY TAP: 24 VAC  
RATING: 40VA  
REPLACES: 0130M00140S, 1170003,  
PF40115, STX40115

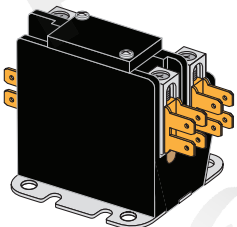
**PC40224**



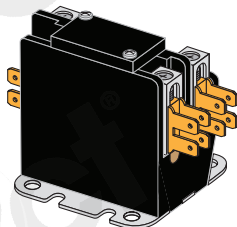
PRIMARY TAP: 208-240 VAC  
SECONDARY TAP: 24 VAC  
RATING: 40VA  
REPLACES: 0130M00138S, PF40224,  
STX40224

# CONTACTORS

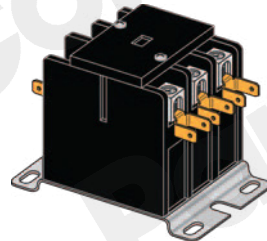
Parts Connect



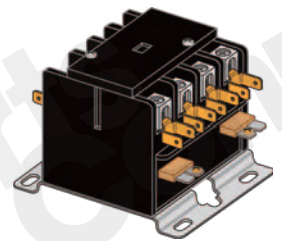
One Pole



Two Pole



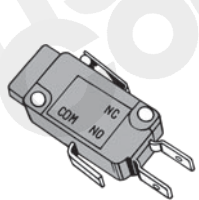
Three Pole



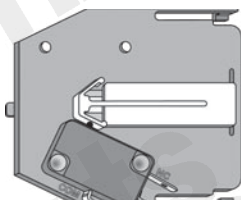
Four Pole

Coil <b>A = 24V</b>	Coil <b>B = 120V</b>	Coil <b>C = 240V</b>	Poles	Full Load	Locked Rotor	Resistive	Auxiliary Switch
<b>PC130A</b>	<b>PC130B</b>	<b>PC130C</b>	1	30	180	50	-
<b>PC140A</b>	<b>PC140B</b>	-	1	40	240	50	-
<b>PC230A</b>	<b>PC230B</b>	<b>PC230C</b>	2	40	240	50	-
<b>PC240A</b>	<b>PC240B</b>	<b>PC240C</b>	2	40	240	50	-
<b>PC340A</b>	<b>PC340B</b>	<b>PC340C</b>	3	40	240	50	-
<b>PC350A</b>	<b>PC350B</b>	<b>PC350C</b>	3	50	300	65	H6S or H7S
<b>PC360A</b>	<b>PC360B</b>	<b>PC360C</b>	3	60	360	75	H6S or H7S
<b>PC375A</b>	<b>PC375B</b>	<b>PC375C</b>	3	75	450	93	H9S
<b>PC390A</b>	<b>PC390B</b>	<b>PC390C</b>	3	90	540	120	H9S
<b>PC440A</b>	<b>PC440B</b>	<b>PC440C</b>	4	40	240	50	H6S or H7S

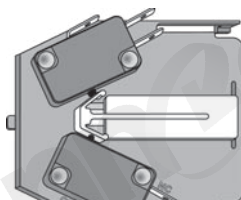
## AUXILIARY SWITCHES USED WITH 3 & 4 POLE CONTACTORS



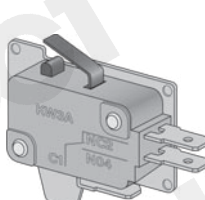
A



B



C

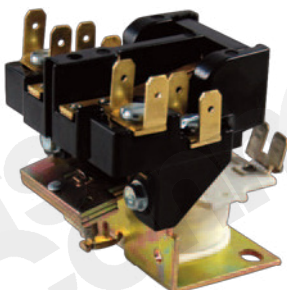


D

Style	Part No.	Type	Amps
B	<b>H6S</b>	SPDT	25-40
C	<b>H7S</b>	DPDT	25-40
A	<b>H8S</b>	SPDT	50-60
D	<b>H9S</b>	SPDT	70-90

• 10 Amp @ 1/3 HP, 125 or 250 VAC.  
• 1/2 Amp @ 125 VDC. • 1/4 Amp @ 250 VDC.

## MAGNETIC LINE CONTACTOR



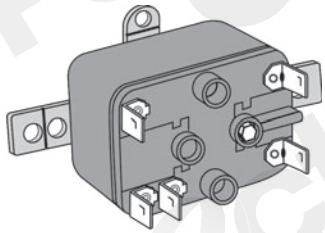
DPST - N.O. 60/50 Hz (90-230,18001, MC11, 3ARR8E4)

Designed for use in Air Conditioning, Heating/Ventilating Control System, Motor Starting, Heating Element Operation, & Power Supply Control.

Coil 24 Volt • Full Load Amps 30 LRA • 120V Single Phase

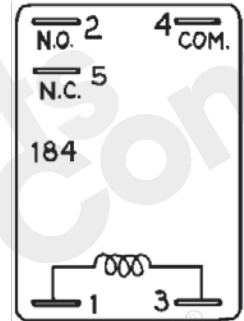
**PCC18001**

# RELAYS & MOTORS

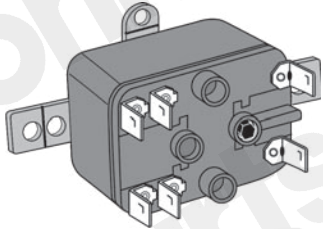


## RBM STYLE RELAYS Type 184

Totally enclosed relays for fan motors and many general purpose applications.



184 SERIES  
12 AMPS IND.  
18 AMPS RES.

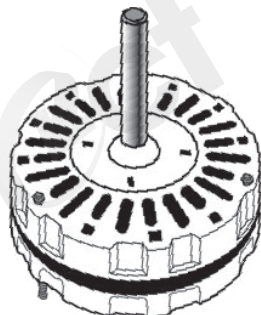
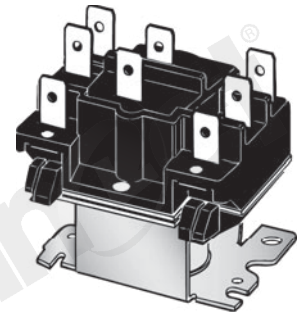


QUICK CONNECT - 1/4" SPADE TERMINALS

Switch	Wires	Coil	Part No.
SPST N.O.	4	24V	<b>PC90-360Q</b>
SPDT	5	24V	<b>PC90-370Q</b>
SPDT	5	120V	<b>PC90-372Q</b>
SPDT	5	208/230V	<b>PC90-374Q</b>
2P-1N.O., 1N.C.	6	24V	<b>PC90-380Q</b>
2P-1N.O., 1N.C.	6	120V	<b>PC90-382Q</b>
2P-1N.O., 1N.C.	6	208/230V	<b>PC90-384Q</b>

## GENERAL PURPOSE RELAYS TYPE 91

Part No.	Replaces Honeywell	Coil Volts	Switch	FLA@	
				120V	240V
<b>PC90-341</b>	R4222D1013	120	DPDT	12	6
<b>PC90-342</b>	R4222D1021	208/240	DPDT	12	6
<b>PC90-340</b>	R8222D1014	24	DPDT	12	6



## 97009317A 5" MOTOR FOR ROOFTOP VENTILATION

Shaded Pole • Air-Over  
1/8HP • 4.3A • 115V  
Body = 2 5/8" • Shaft = 1/2" X 2 5/8"  
1-Speed • CW • 1050 RPM

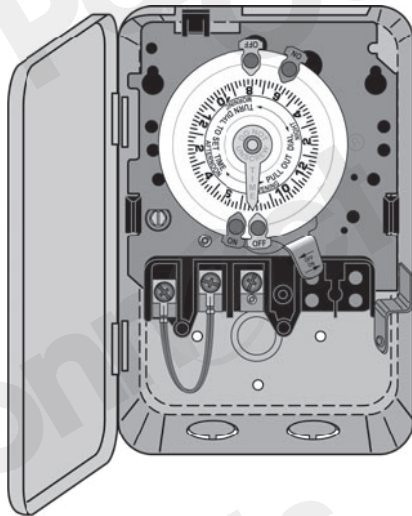
# GENERAL PURPOSE TIMERS

## 24 HOUR ELECTRO-MECHANICAL TIME CONTROLS

Features:

- Dial: 24 Hour, 2 ON and 2 OFF trippers.
- Switch Rating: 2 hp at 120 volts and 5 hp at 240 volts.
- Operations: Up to 10 ON/OFF operations per 24 hours.
- Minimum Setting: 1 hr. between ON/OFF, 2 hr. between OFF/ON.
- Enclosure: Non corrosive NEMA 1.
- For additional tripper pairs, order part number **STPIN**.

- Steel Case Dimensions: 7.9" X 5.3" X 3"(20cm X 13.5cm X .7cm)
- Unit Weight: 2.87 lbs. (1300 grams)
- Temperature Range: -22°F to 158°F (-30°C to 70°C)



Part No.	Volts	Switch	Paragon	Intermatic	Precision	Supco
<b>T101</b>	120	SPST	4001-00	T101	CD101	ST101
<b>T102</b>	240	SPST	4002-71	T102	CD102	ST102
<b>T103</b>	120	DPST	4003-00	T103	CD103	ST103
<b>T104</b>	240	DPST	4004-71	T104	CD104	ST104

# REFRIGERATION DEFROST CONTROLS

### Features & Benefits

- Heavy-duty synchronous motor.
- Adjustable defrost initiation freq. 1 to 6/day
- Adjustable defrost duration: 4 to 110 min
- Contact Arrangements: Electric heat, hot gas, or off cycle defrost.
- Heavy duty steel case w/ knockouts sides, back & bottom
- UL recognized

### Specifications:

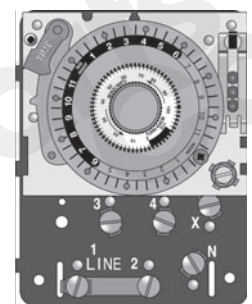
- 120 or 208/240 VAC 60 Hz
- 40 Amp non-inductive
- Maximum HP: 2HP
- Pilot Duty: 670VA
- Operating Temperature Range: -35°F to +175°F
- Case Dimensions: 7.697" H x 4.4" W x 3.8" D
- Weight: DT8141 Series 3.75lbs

**Time initiated - Pressure or Temperature Terminated**

**Replacement Drop-In Mechanism**



Part No.	Voltage	NO	NC
<b>DT814500</b>	120	1	1
<b>DT814520</b>	240	1	1



**DT814520M**

for S814520 or 8145-20

# REFRIGERANTS

## ONE-STOP SOLUTIONS BUILT FOR PROS

If you are tired of messy dyes and sealants, we have the solution for you. By pre-blending 2 lbs. of gas with additives, our products are a smarter, mess-free way to work on a system.

From the 1/4" service valve to the ability to service up to 6 tons of cooling, our convenient, resealable cans are a must-have addition for every truck, van, or shop.

While traditionally offered with R-22 and R410A refrigerants, orders can be customized containing any hydrocarbon or appliance-grade refrigerant.



<b>PCR22</b>	R22 with UV Dye & Sealant
<b>PCR410A</b>	R410A with UV Dye & Sealant
<b>PCCHG (4507)</b>	Charging Hose with Gauge
<b>PCUVL (4514)</b>	UV Light
<b>4200</b>	2 lbs of R422 with dye & sealant
<b>R32</b>	2 lbs of R32
<b>R404A</b>	27.2 oz of R404A
<b>R407C</b>	27.9 oz of R407C
<b>R134A</b>	1.9 lbs of R134A

## HYDROCARBON REFRIGERANTS

Hydrocarbon refrigerants are natural, nontoxic, and have no ozone depleting properties. They are more efficient than the HFC refrigerants that they replace. The improved system efficiency they produce reduces energy usage and life cycle costs.



### Propane R290

- Meets AHRI 700 Standard
- 99.5% purity level
- UN1978
- CAS#74-98-6
- DOT SP15593 M1119
- Non-odorized and colorless
- Net Weight 13 oz (370g)

<b>R290-08-7/16-8oz</b>	8 oz
<b>R290-12</b>	12 lbs
<b>R290-20</b>	20 lbs



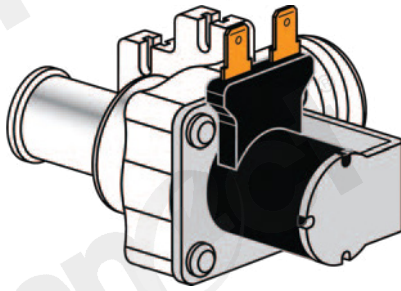
### Isobutane R600a

- Meets AHRI 700 Standard
- 99.5% purity level
- UN1978
- CAS#74-98-6
- DOT SP15593 M1119
- Non-odorized and colorless
- Net Weight 14.8 oz (420g)

<b>R600a-7/16-6oz</b>	6 oz [170 gm]
-----------------------	---------------

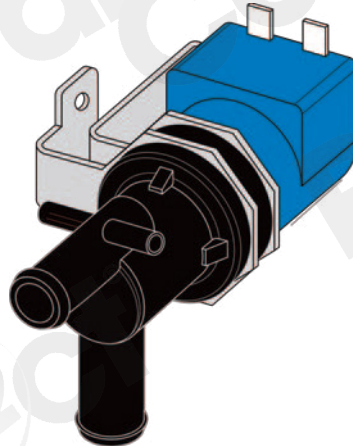
# HOSHIZAKI ICE MACHINE

## WATER VALVE



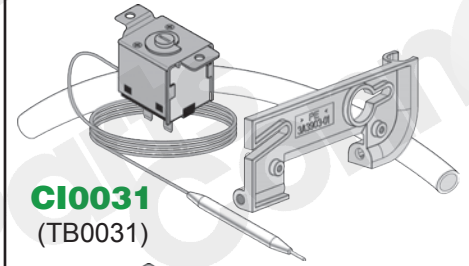
Part No.	Reference	Valve
<b>CI11101</b>	3U0111-01	J248-030
<b>CI11102</b>	3U0111-02	J248-032
<b>CI11103</b>	3U0111-03	J248-033
<b>CI11104</b>	3U0111-04	J248-072

## WATER SOLENOID VALVE 120V

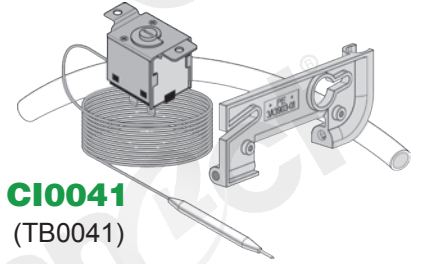


**CI32201**  
(439322-01)

## THERMOSTAT KITS



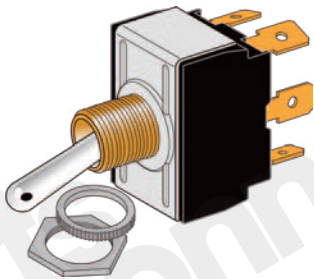
**CI0031**  
(TB0031)



**CI0041**  
(TB0041)

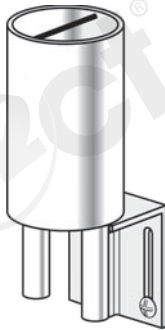
BOTH KITS INCLUDE 3A3903-01  
BULB HOLDER  
AVAILABLE SEPARATELY

## TOGGLE SWITCH



**CI11901**  
(443119-01)

## FLOAT SWITCH

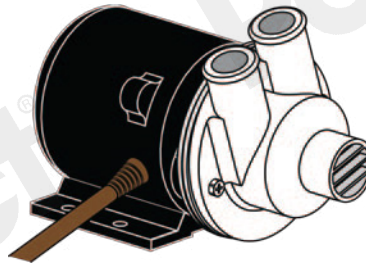


**CI62401**  
(4A3624-01)

**CI62402**  
(4A3624-02)

## PUMP MOTOR ASSM.

**CI0613**  
(PA0613)

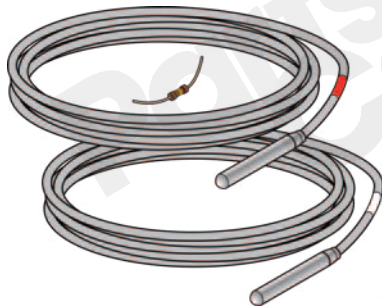


## SILICONE HOSE 1 FT.



**CI13812**  
(773013812)

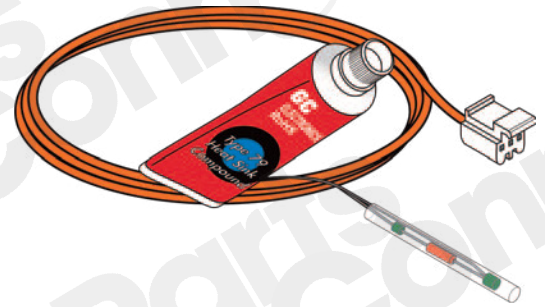
## THERMISTOR KITS



**CI3540**  
(HS-3540)

## WITH SEAL

**CIS005**  
(TS005)



## HINGE SPRING CARTRIDGE (RIGHT)



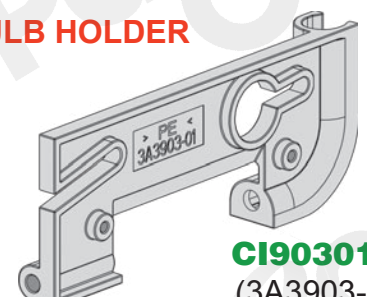
**CI43801**  
(4A0438-01)

## HINGE SPRING CARTRIDGE (LEFT)



**CI43802**  
(4A0438-02)

## BULB HOLDER

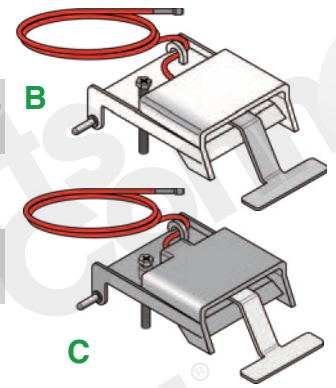
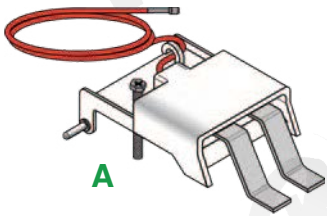


**CI90301**  
(3A3903-01)

# MANITOWOC ICE MACHINE

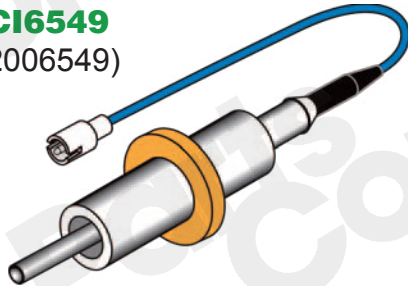
## ICE THICKNESS SENSOR

Part No.	Description	Series
<b>CI9963</b> (7619963)	A 1/4" Terminals 29" Wire Leads	E0200, E0400, E0600 G0150, G0600, G0800, H0200
<b>CI8029</b> (2008029)	B 5 <sup>3</sup> / <sub>8</sub> " X 3 <sup>1</sup> / <sub>4</sub> " 47" Wire Lead	CDV, JC, QY SD, SR, SY
<b>CI7813</b> (7627813)	B 4" X 3 <sup>1</sup> / <sub>4</sub> " White	BD, BR, BY, JD, JR, JY, PY, PD, QD, QR
<b>CI1603</b> (7601603)	C 4" X 3 <sup>1</sup> / <sub>4</sub> " Gray 14" Leads	Q, QD, QR, QY



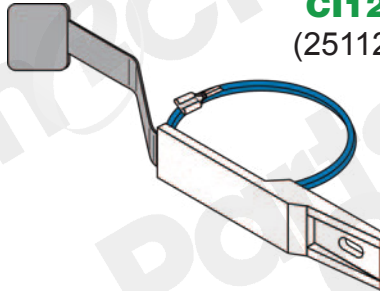
## WATER LEVEL PROBE

**CI6549**  
(2006549)



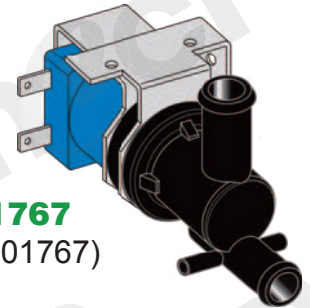
## WATER LEVEL PROBE

**CI1293**  
(2511293)

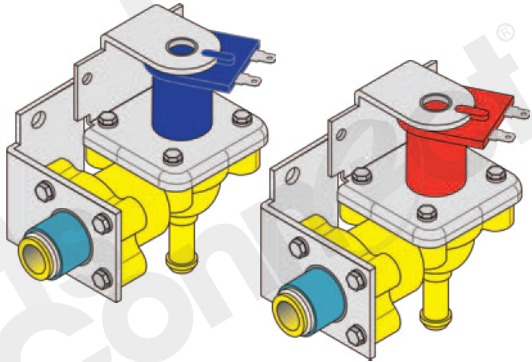


## DISPENSE VALVE 120V

**CI1767**  
(00001767)

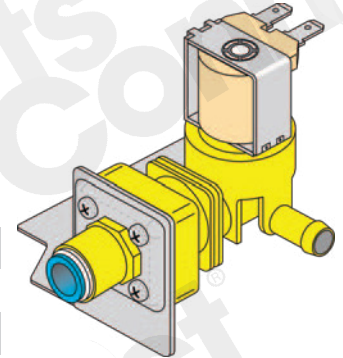


## WATER INLET VALVE



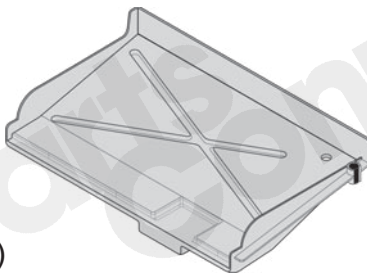
Part No.	Ref	Coil/Voltage
<b>CI7965</b>	000007965	Blue - 120V
<b>CI7966</b>	000007966	Red - 240V

Part No.	Ref	Coil/Voltage	Flow
<b>CI9120</b>	000009120	Tan - 120V	0.5 gpm
<b>CI9122</b>	000009122	Gray - 240V	0.78 gpm
<b>CI9123</b>	000009123	Tan - 120V	0.78 gpm



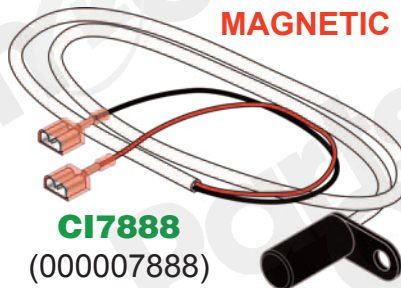
## WATER CURTAIN

**CI4643**  
(4304643)

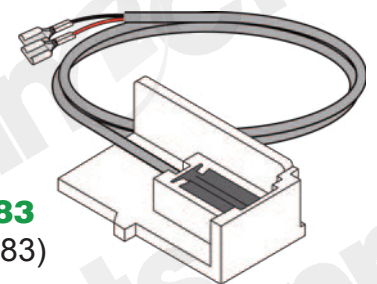


## MAGNETIC BIN SWITCH

**CI7888**  
(000007888)

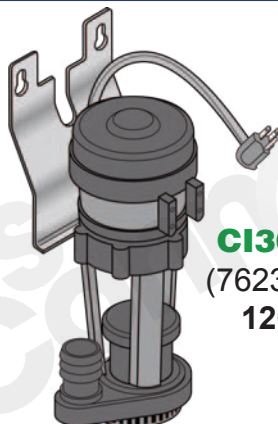


**CI1483**  
(2301483)

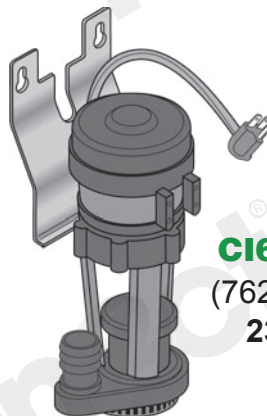


## WATER PUMPS

**CI3063**  
(7623063)  
120V

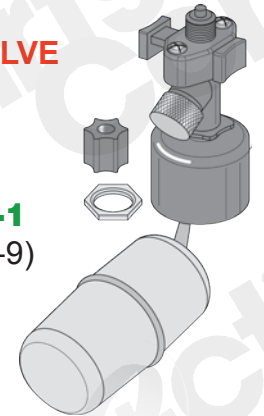


**CI6013**  
(7626013)  
230V



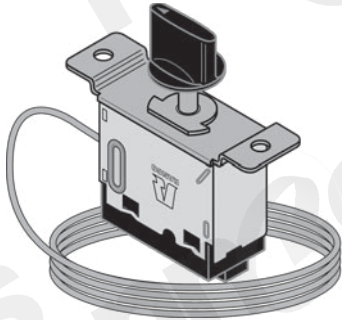
## FLOAT VALVE

**RM296-1**  
(83-6904-9)



# SCOTSMAN ICEMAKER

## BIN THERMOSTAT CONTROL

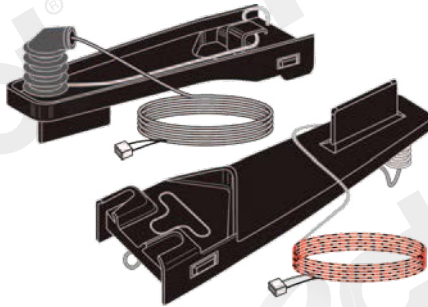


**CI42722**

(11-0427-22  
A30-3722-00)

## ICE LEVEL CONTROL

**MUST BE REPLACED AS A SET.**  
One is a sender the other is a receiver.  
The one with the long (red & black) wires goes to the right side of the cabinet.



**CI54021**

(11-0540-21)

## TEMPERATURE SENSOR



**CI54521**

(11-0545-21)

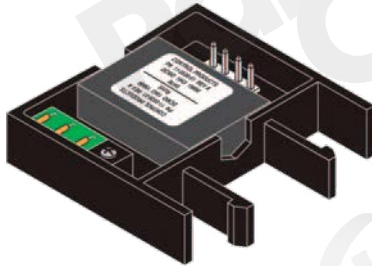
## KIT W/CLIP



**CI41021**

(02-3410-21)

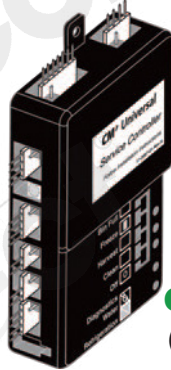
## SUMP LEVEL CONTROL



**CI53951**

(11-0539-51)

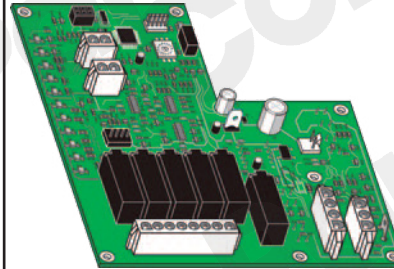
## CM<sub>3</sub> SERVICE CONTROLLER



**CI83824**

(12-2838-24)

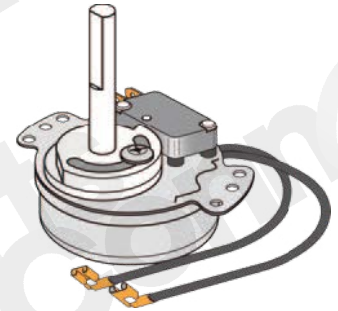
## CONTROL BOARD (PRODIGY)



**CI55027**

(11-0550-27)

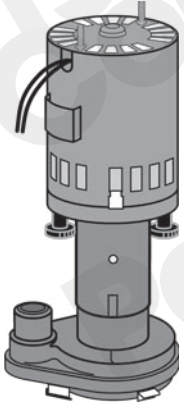
## SWITCH & TIMER



**CI31721**

(12-2317-21)

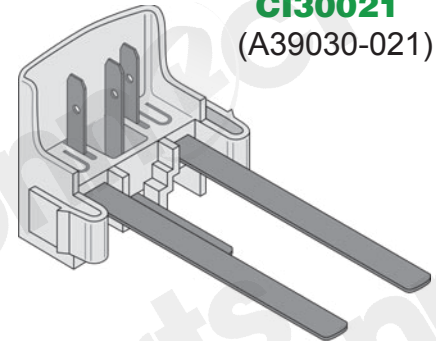
## PUMP ASSEMBLIES



Part No.	Ref No.	Model	Voltage	Flow Rate
<b>CI58621</b>	12-2586-21	GPP-4SC-1FSA	120	
<b>CI58623</b>	12-2586-23	GPP-4SC-2FSA	240	
<b>CI58627</b>	12-2586-27	GPP-4SC-1FSC	120	(4.39 gpm)
<b>CI71421</b>	12-2714-21	GPP-6SC-4FS	240	

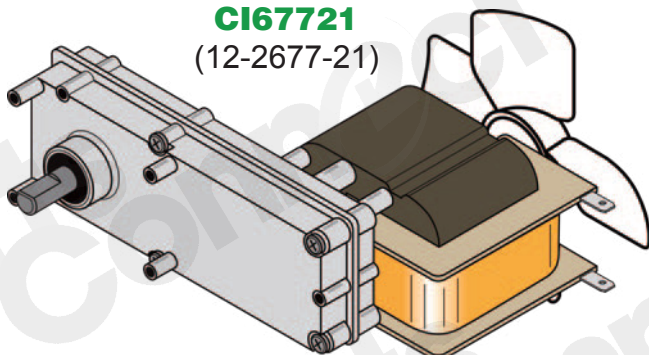
## WATER LEVEL SENSOR

**CI30021**  
(A39030-021)



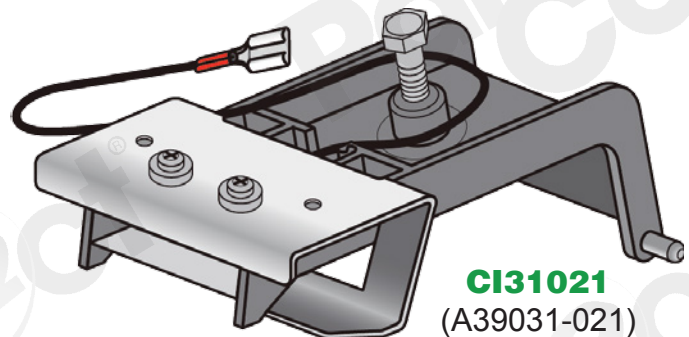
## GEAR MOTOR WITH FAN 115V

**CI67721**  
(12-2677-21)



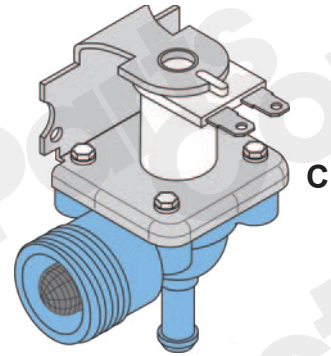
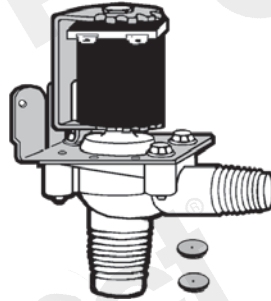
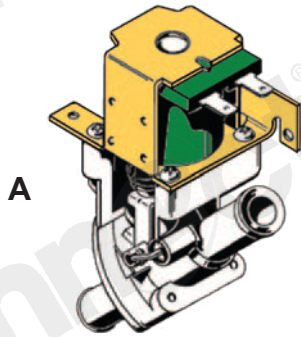
## ICE THICKNESS SENSOR

**CI31021**  
(A39031-021)

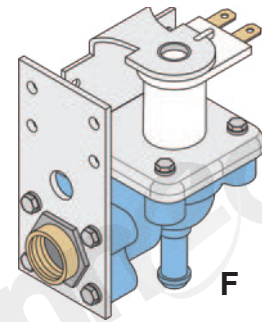
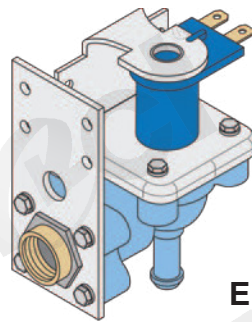
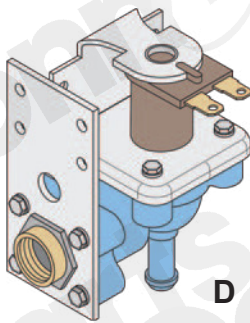


# SCOTSMAN ICEMAKER

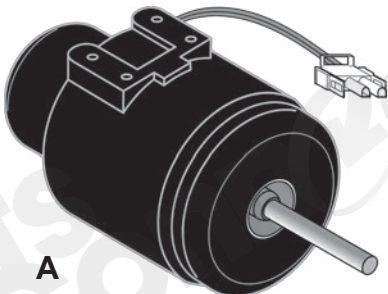
## WATER VALVES



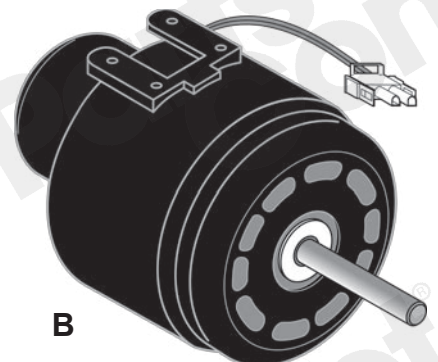
<u>Pic</u>	<u>Part No.</u>	<u>Ref No.</u>		<u>Coil</u>	<u>Coil Volt</u>	<u>Type</u>
A	<b>CI51401</b>	11-0514-01	IMV1401	Green	120	Dump
A	<b>CI51402</b>	11-0514-02	IMV1402	Red	240	Dump
B	<b>CI64601</b>	12-1646-01	IH2005	Black	120	Inlet
C	<b>CI44626</b>	12-2446-26	IH2010A	White	240	Inlet
D	<b>CI54801</b>	12-2548-01	IH2548-01	Brown	24	Inlet
D	<b>CI66601</b>	12-2666-01	IH2666-01	Brown	24	Inlet
E	<b>CI92201</b>	12-2922-01	IMV2201	Blue	115	Inlet
F	<b>CI92202</b>	12-2922-02	-	White	240	Inlet



## CONDENSER MOTORS



<u>Pic</u>	<u>Part No.</u>	<u>Ref No.</u>	<u>Voltage</u>
A	<b>CI5050</b>	18-5505-01	115
A	<b>CI5051</b>	18-5505-11	230
B	<b>CI8290</b>	18-8829-01	230



# ICE MACHINE

**Parts  
Connect**

## Affordable 70 lb. per day capacity • 15" Wide **ICE MACHINE**



- 70 lb/day capacity
- 27 lb. Storage Capacity, Removable Storage Bin
- LED Light
- Adjustable Ice Sizes:
  - 15" Width
  - 24" Deep
  - 33¼" High
- Reversible Door
- Brushed Stainless Steel Door



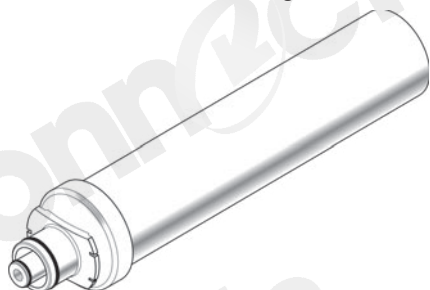
- Built-In Filter
- Front Venting
- Wash Cycle
- 1 Year Warranty

## IM70

Equipped with casters in the front & back for easy relocation. Leveling legs are also located in the front. Screw the leveling legs clockwise until the front casters touch the ground. When the desired location is reached, screw the leveling legs counter-clockwise lifting the front casters off the ground.

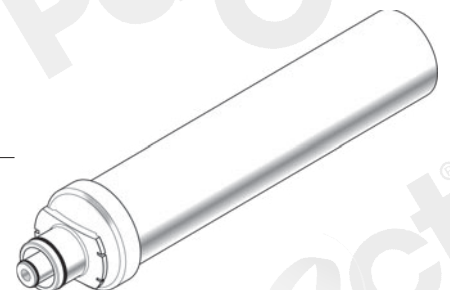
### Complete with:

- Ice Scoop
- 9' installation Hose
- Drain Hose
- (2) Front Casters



**PAL5641P**

Built-In Filter for IM70



# INDEX

A/C Evaporator.....	24-25
Blades, Fan.....	15
Brass Gas Cock.....	26
Capacitor.....	16-21
Dual.....	16-17, 20
Oval.....	16, 18, 20
Round.....	17-18, 20
Run.....	16-18, 20
Sigma Cap Pro.....	21
Single.....	16-17, 20
Start.....	19
Cock, Brass Gas.....	26
Coil Kit.....	9
Compressor.....	28-31
Controller.....	29
GMCC.....	31
Manitowoc.....	29
Mounting Kit.....	29
Rotary.....	31
Scroll.....	31
Secop.....	28-30
Compressor Components.....	30
Condensate Pump.....	26
Condensate Pump, Mini Split.....	27
Condenser Fin Straightener Tool.....	5
Contactors.....	34
1 Pole.....	34
2 Pole.....	34
3 Pole.....	34
4 Pole.....	34
A2L Compliant.....	34
Auxiliary Switch.....	34
Magnetic Line.....	34
Detector.....	2, 26
Flood.....	26
Gas Leak.....	2
Low Voltage and LED Flashlight.....	3

# INDEX

Electric Heat Sequencers .....	10
Fan Blades .....	15
Flame Switch .....	7
Gas Cock, Brass .....	26
Hard Start Kit .....	32
Ice Machine / Ice Maker .....	38-42
Hoshizaki .....	38
Bulb Holder .....	38
Float Switch .....	38
Hinge Spring Cartridge .....	38
Left .....	38
Right .....	38
Pump Motor .....	38
Silicone Hose .....	38
Thermistor Kit .....	38
with Seal .....	38
Thermostat Kit .....	38
Toggle Switch .....	38
Water Solenoid Valve .....	38
Water Valve .....	38
IM70 .....	42
9' Installation Hose .....	42
Drain Hose .....	42
Filter .....	42
Front Casters .....	42
Ice Scoop .....	42
Manitowoc .....	39
Dispense Valve .....	39
Float Valve .....	39
Ice Thickness Sensor .....	39
Magnetic Bin Switch .....	39
Water Curtain .....	39
Water Inlet Valve .....	39
Water Level Probe .....	39
Water Pumps .....	39

# INDEX

Scotsman.....	40-41
Bin Thermostat Control.....	40
CM <sub>3</sub> Service Controller.....	40
Condenser Motor.....	41
Control Board (Prodigy).....	40
Gear Motor with Fan.....	40
Ice Level Control.....	40
Ice Thickness Sensor.....	40
Pump Assemblies.....	40
Sump Level Control.....	40
Switch & Timer.....	40
Temperature Sensor.....	40
Water Level Sensor.....	40
Water Valve.....	41
Ignitor.....	7-8
Flat Silicon Carbide.....	7
Nitride.....	7
HSI.....	8
Block Chart.....	8
Ceramic.....	8
Terminal.....	8
Flat Norton 41-Series.....	8
Manitowoc Compressors.....	29
Manometer.....	3
Meter.....	2
Mini Split Condensate Pump.....	27
Motor.....	11-14, 35
Blower.....	12-14
Condenser.....	13-14
Evaporator Fan Kit.....	11
Inducer.....	11
Mounting Kit.....	14
Rooftop Ventilation.....	35
Utility Fan.....	11
Vent Hood.....	11
Multimeter.....	2
Psychrometer.....	3

# INDEX

Pump, Condensate.....	26
Pump, Mini Split Condensate.....	27
Refrigerants.....	37
Hydrocarbon.....	37
Isobutane.....	37
Propane.....	37
Refrigeration Defrost Control.....	36
Relay.....	35
General Purpose.....	35
RBM.....	35
Type 91.....	35
Type 184.....	35
Screwdriver.....	5
Terminal.....	22-23
Thermometer.....	3-4
Dual Input.....	3
No Touch.....	4
Pocket.....	4
Timer.....	36
Tool Bag.....	5
Transformer.....	33
Foot Mount.....	33
Zoom Spouts.....	6
Rust Buster.....	6
Zoom Spout Oiler.....	6

# WAREHOUSE LOCATIONS

## ALABAMA

### **Appliance Parts, Inc.**

228 14th St., Ste. 101 ----- Tuscaloosa, AL 35401 ----- Ph. (205) 345-2828

### **Fox Appliance Parts**

**www.foxparts.com**

3221 Long Ave ----- Huntsville, AL 35805 ----- Ph. (256) 536-5490

1025 Montlimar Dr----- Mobile, AL 36609 ----- Ph. (251) 316-0081

## ARIZONA

### **Appliance Parts Company**

**www.appliancepartscompany.com**

6825 S. Kyrene Rd. ----- Tempe, AZ 85283 ----- Ph. (480) 755-0006

1595 N. 113th Ave. Suite 104----- Avondale, AZ 85392 ----- Ph. (602) 269-6385

8581 W. Kelton Lane, Suite 205 ----- Peoria, AZ 85382 ----- Ph. (623) 972-5022

2610 E Mohawk Lane Unit 116 ----- Phoenix, AZ 85050 ----- Ph. (480) 505-4335

7155 E. Broadway----- Tucson, AZ 85710 ----- Ph. (520) 751-8800

1861 W. Grant Rd----- Tucson, AZ 85745----- Ph. (520) 624-2102

## ARKANSAS

### **Mid-South Distributing**

**www.midsouthparts.com**

7501 Enmar Drive----- Little Rock, AR 72209 ----- Ph. (501) 565-4144

7821 Doyle Springs Rd. Suite I----- Little Rock, AR 72209 ----- Ph. (501) 975-7558

945 Runway Dr.----- Conway, AR 72032 ----- Ph. (501) 932-9000

6101 Prairie Dr. ----- Fort Smith, AR 72916 ----- Ph. (479) 649-8336

901 Mid-America Blvd.----- Hot Springs, AR 71913 ----- Ph. (501) 767-5775

4221 Stadium Blvd. ----- Jonesboro, AR 72404 ----- Ph. (870) 972-0004

301 East 5th Avenue ----- Pine Bluff, AR 71601 ----- Ph. (870) 535-7830

3509 W. Hudson Rd. ----- Rogers, AR 72756 ----- Ph. (479) 372-4414

301 Newman Drive----- Sherwood, AR 72117 ----- Ph. (501) 753-9052

561 Agnes Dr. ----- Tontitown, AR 72764 ----- Ph. (479) 756-9540

## CALIFORNIA

### **Appliance Parts Company**

**www.appliancepartscompany.com**

222 East 8th St. ----- National City, CA 91950 ----- Ph. (619) 474-6781

1890 N Marshall Ave ----- El Cajon, CA 92022 ----- Ph. (619) 562-3506

600 S. Andreasen Drive----- Escondido, CA 92029 ----- Ph. (760) 745-7521

### **Appliance Parts Distributor**

**www.apdappliance.com**

16200 E 14th St. ----- San Leandro, CA 94578----- Ph. (510) 357-8200

6843 Dublin Blvd. ----- Dublin, CA 94568 ----- Ph. (925) 828-5800

37250 Fremont Blvd. ----- Fremont, CA 94536 ----- Ph. (510) 490-0600

# WAREHOUSE LOCATIONS

## CALIFORNIA (Continued)

### **Coast Appliance Parts**

**[www.coastparts.com](http://www.coastparts.com)**

2606 Lee Ave. ----- So. El Monte, CA 91733 ----- Ph. (626) 579-1500  
1404 29th Street----- Bakersfield, CA 93301----- Ph. (661) 324-9891  
948 Colton Ave. ----- Colton, CA 92324 ----- Ph. (909) 825-4890  
12503 Venice Blvd.----- Culver City, CA 90066----- Ph. (310) 397-2110  
10680 Mulberry Ave.----- Fontana, CA 92337----- Ph. (909) 428-6251  
3260 E. McKinley ----- Fresno, CA 93703----- Ph. (559) 485-4444  
15700 S. Broadway----- Gardena, CA 90248 ----- Ph. (310) 354-1540  
5916 Kester Ave. ----- Van Nuys, CA 91411 ----- Ph. (818) 782-5770

### **OCAP Supply**

**[www.ocapsupply.com](http://www.ocapsupply.com)**

10466 Stanford Ave. ----- Garden Grove, CA 92840----- Ph. (714) 534-5300

## COLORADO

### **Appliance Factory Parts**

**[www.appliancefactoryparts.com](http://www.appliancefactoryparts.com)**

5050 Colorado Blvd. ----- Denver, CO 80216 ----- Ph. (303) 696-1111

### **Ingle Supply Company**

**[www.inglesupply.com](http://www.inglesupply.com)**

904 West 10th St. ----- Pueblo, CO 81003----- Ph. (719) 543-2612

### **VIP Appliance & HVAC Parts**

**[www.vipappliance-hvac.com](http://www.vipappliance-hvac.com)**

820 2nd St.----- Greeley, CO 80631 ----- Ph. (970) 353-7333

## FLORIDA

### **AMEREX (Export Only)**

**[www.amerex.world](http://www.amerex.world)**

1810 NW 94 Ave----- Doral, FL 33172 ----- Ph. (305) 717-3317

### **PartsZone Supply Inc.**

**[www.partszonesupply.com](http://www.partszonesupply.com)**

1810 NW 94 Ave----- Doral, FL 33172 ----- Ph. (305) 779-2477

### **Fox Appliance Parts**

**[www.foxparts.com](http://www.foxparts.com)**

2899 Powers Ave Suite 6----- Jacksonville, FL 32207 ----- Ph. (904) 365-5808

# WAREHOUSE LOCATIONS

## GEORGIA

### **Fox Appliance Parts**

**[www.foxparts.com](http://www.foxparts.com)**

5375 North Parkway ----- Lake City, GA 30260 ----- Ph. (404) 363-3313  
3000 Shawnee Industrial Way Suite 100 ---- Suwanee, GA 30024----- Ph. (770) 446-8446  
814 Pickens Industrial Dr. ----- Marietta, GA 30062 ----- Ph. (404) 363-3313  
801 Industrial Blvd S.W.------ Gainesville, GA 30501 ----- Ph. (770) 534-2331  
4883 Milgen Rd. ----- Columbus, GA 31907 ----- Ph. (706) 324-4398  
3503 Wrightsboro Rd. ----- Augusta, GA 30909 ----- Ph. (706) 737-3400  
4104 Ogeechee Rd. (Hwy 17S).----- Savannah, GA 31405 ----- Ph. (912) 234-0911

## IDAHO

### **Sundberg Co.**

**[www.sundbergamerica.com](http://www.sundbergamerica.com)**

4003 First Ave. South ----- Billings, MT 59101----- Ph. (406) 252-9616

## ILLINOIS

### **Sundberg Co.**

**[www.sundbergamerica.com](http://www.sundbergamerica.com)**

5852 W. 51<sup>st</sup> Street ----- Chicago, IL 60638 ----- Ph. (773) 723-2700  
7445 S. State St.------ Chicago, IL 60619----- Ph. (773) 904-2522  
4320 North Pulaski Rd. ----- Chicago, IL 60641 ----- Ph. (773) 770-4128  
2225 W. Jefferson Ave. ----- Joliet, IL 60435 ----- Ph. (815) 725-4311  
15124 S. Cicero Ave.------ Oak Forest, IL 60452----- Ph. (708) 687-1141  
615 N. Addison Ave. ----- Villa Park, IL 60181 ----- Ph. (630) 832-8841  
385 E. State St.------ South Elgin, IL 60177 ----- Ph. (847) 697-3640

## INDIANA

### **Sundberg Co.**

**[www.sundbergamerica.com](http://www.sundbergamerica.com)**

5601 Coldwater Rd. ----- Fort Wayne, IN 46825 ----- Ph. (260) 482-4524

## IOWA

### **Sundberg Co.**

**[www.sundbergamerica.com](http://www.sundbergamerica.com)**

1111 W. 3rd St. ----- Davenport, IA 52802 ----- Ph. (563) 322-0063  
5047 N.E. 14th St.------ Des Moines, IA 50313 ----- Ph. (515) 266-0107

## KANSAS

### **Arrow Cold Control**

**[www.arrowcoldcontrol.com](http://www.arrowcoldcontrol.com)**

28 N. 10th St. ----- Kansas City, KS 66102 ----- Ph. (913) 371-4677  
9101 Cody ----- Overland Park, KS 66214 ----- Ph. (913) 894-5222

### **Washer Specialties Company**

**[www.wsconet.com](http://www.wsconet.com)**

224 Indiana Ave. ----- Wichita, KS 67214----- Phone/Text (316) 263-8179

# WAREHOUSE LOCATIONS

## LOUISIANA

### **Ideal Appliance Parts**

**www.idealappliance.com**

10569 Florida Blvd. ----- Baton Rouge, LA 70815----- Ph. (225) 226-1755  
400 Lapalco Blvd. Suite A ----- Gretna, LA 70056 ----- Ph. (504) 392-6393  
214 Edwards Avenue----- Harahan, LA 70123 ----- Ph. (504) 733-5234  
3417 Division St.----- Metairie, LA 70002 ----- Ph. (504) 888-4232  
1290 Bertrand Dr ----- Lafayette, LA 70506 ----- Ph. (337) 504-2885  
3913 Downman Road ----- New Orleans, LA 70126----- Ph. (504) 245-1861  
706 Old Spanish Trail ----- Slidell, LA 70458 ----- Ph. (985) 781-3222  
4310 Hessmer Ave.----- Metairie, LA 70002 ----- Ph. (504) 356-9511

### **Mid-South Distributing**

**www.midsouthparts.com**

8825 Jewella Ave ----- Shreveport, LA 71108 ----- Ph. (318) 687-4001  
1904 Ruffin Dr. ----- Monroe, LA 71202----- Ph. (318) 503-8099

## MARYLAND

### **D&L Parts Company**

**www.dlpartsco.com**

2100 Freedom Dr.-----Charlotte, NC 28208 ----- Ph. (704) 374-0400

## MASSACHUSETTS

### **All Brand Appliance Parts**

**www.allbrandonline.com**

404 Main Street -----Brockton, MA 02301 ----- Ph. (508) 587-7100  
37 Park St.-----Dorchester, MA 02122----- Ph. (617)-288-2928

## MICHIGAN

### **Sundberg Co.**

**www.sundbergamerica.com**

48600 North Michigan Ave. -----Canton, MI 48188 ----- Ph. (773) 723-2700

## MINNESOTA

### **Sundberg Co.**

**www.sundbergamerica.com**

7001 Oxford St.-----St. Louis Park, MN 55426 ----- Ph. (952) 848-0413

## MISSISSIPPI

### **Mid America Appliance Parts**

**www.midamericaparts.com**

2167 Stateline Road West -----Southaven, MS 38671 ----- Ph. (662) 796-0349  
609 S. Gloster. -----Tupelo, MS 38801----- Ph. (662) 269-3155

### **American Appliance & Supply**

121 Enochs St -----Tylertown, MS 39667----- Ph. (601) 222-2010  
6142 US-98 #30, -----Hattiesburg, MS 39402 ----- Ph. (601)-579-2911

# WAREHOUSE LOCATIONS

## MISSISSIPPI (Continued)

### **Ideal Appliance Parts**

[www.idealappliance.com](http://www.idealappliance.com)

9175 US 49, Suite A -----Gulfport, MS 39503----- Ph. (228) 641-2948

## MISSOURI

### **Thompson Supply**

[www.thompsonsupplystl.com](http://www.thompsonsupplystl.com)

1916 Woodson Road-----St. Louis, MO 63114----- Ph. (314) 423-3700

### **Mid-South Distributing**

[www.midsouthparts.com](http://www.midsouthparts.com)

2105 E. Stephens Blvd.-----Joplin, MO 64804----- Ph. (417) 659-8870

733 N. Miller Ave.-----Springfield, MO 65802----- Ph. (417) 413-2111

### **Schepker Parts Supply**

[www.schepkerparts.com](http://www.schepkerparts.com)

1 North Service Road-----St. Peters, MO 63376----- Ph. (636) 397-4600

## MONTANA

### **Sundberg Co.**

[www.sundbergamerica.com](http://www.sundbergamerica.com)

2521 Enterprise Ave, Suite 2-----Billings, MT 59101----- Ph. (406) 252-9616

## NEBRASKA

### **Sundberg Co.**

[www.sundbergamerica.com](http://www.sundbergamerica.com)

13303 F St.-----Omaha, NE 68137----- Ph. (402) 334-1555

## NEVADA

### **Appliance Parts Company**

[www.appliancepartscompany.com](http://www.appliancepartscompany.com)

2001 S. Western Ave.-----Las Vegas, NV 89102----- Ph. (702) 382-6532

320 S. Rock Blvd. Ste. 150-----Reno, NV 89502----- Ph. (775) 348-7733

## NEW JERSEY

### **All Brand Appliance Parts**

[www.allbrandonline.com](http://www.allbrandonline.com)

2060 Springdale Rd, #200-----Cherry Hill, NJ 08003-----Ph. (856) 281-9449

6701 Black Horse Pike, #3-----Egg Harbor Twp, NJ 08234----- Ph. (609) 641-1036

## NEW MEXICO

### **Ingle Supply Company**

[www.inglesupply.com](http://www.inglesupply.com)

904 West 10th St.-----Pueblo, CO 81003----- Ph. (719) 543-2612

# WAREHOUSE LOCATIONS

## NEW YORK

**Seneca River Trading**

**[www.senecarivertrading.com](http://www.senecarivertrading.com)**

7283 State Fair Blvd. ----- Baldwinsville, NY 13207----- Ph. (315) 638-1608

## NORTH CAROLINA

**D&L Parts Company**

**[www.dlpartsco.com](http://www.dlpartsco.com)**

344 N. Louisiana Ave. ----- Asheville, NC 28806 ----- Ph. (828) 254-5714

2100 Freedom Drive ----- Charlotte, NC 28208 ----- Ph. (704) 374-0400

2900 N. Graham St. ----- Charlotte, NC 28206 ----- Ph. (704) 342-9634

9313 Monroe Rd., Suite A & B ----- Charlotte, NC 28270 ----- Ph. (704) 377-5910

2414 Reichard St. ----- Durham, NC 27705 ----- Ph. (919) 220-7078

3485 Clinton Rd. ----- Fayetteville, NC 28312 ----- Ph. (910) 323-3230

3609 Sycamore Dairy Rd. ----- Fayetteville, NC 28303 ----- Ph. (910) 484-1137

2811 Firestone Dr. ----- Greensboro, NC 27406 ----- Ph. (336) 274-7627

4813 West Gate City Blvd. ----- Greensboro, NC 27407 ----- Ph. (336) 299-1042

1207 W. 14th Ave. ----- Greenville, NC 27834 ----- Ph. (252) 752-0336

1707 Highway 70 SW ----- Hickory, NC 28602 ----- Ph. (828) 322-4503

131 Crosslake Park Dr., # 204-205 ----- Mooresville, NC 28117----- Ph. (704) 677-7993

317 Sherwee Dr. ----- Raleigh, NC 27603 ----- Ph. (919) 772-6182

4000 Business Park Dr., Ste 105-A----- Raleigh, NC 27610 ----- Ph. (919) 250-6601

5400 Capital Blvd. ----- Raleigh, NC 27616 ----- Ph. (919) 828-0975

5750 Oleander Dr. ----- Wilmington, NC 28403----- Ph. (910) 799-6533

295 N. Green Meadows Dr., Ste C ----- Wilmington, NC 28405----- Ph. (910) 798-2220

1090 Burke St. ----- Winston-Salem, NC 27101----- Ph. (336) 723-3068

## OREGON

**Nor-Mon Distributing Inc.**

**[www.normondistributing.com](http://www.normondistributing.com)**

1134 S.E. Stark St. ----- Portland, OR 97214-1337 ----- Ph. (503) 234-6215

1120 NE 28th Ave., Building 1, Door 8 --- Portland, OR 97232----- Ph. (503) 234-6215

## OKLAHOMA

**Washer Specialties**

**[www.wsconet.com](http://www.wsconet.com)**

224 Indiana Ave. ----- Wichita, KS 67214----- Phone/Text (316) 263-8179

## PENNSYLVANIA

**McCombs Supply Co.**

**[www.mccombssupply.com](http://www.mccombssupply.com)**

346 North Marshall St. ----- Lancaster, PA 17602 ----- Ph. (717) 299-3866

# WAREHOUSE LOCATIONS

## PENNSYLVANIA (Continued)

### All Brand Appliance Parts

[www.allbrandonline.com](http://www.allbrandonline.com)

1530 E. Race St.----- Allentown, PA 18109----- Ph. (484) 245-0500

605 MacDade Blvd.----- Folsom, PA 19033----- Ph. (610) 534-0800

18 West Chester Pike----- Havertown, PA 19083----- Ph. (610) 446-8894

949 E. Main St.----- Norristown, PA 19401----- Ph. (610) 277-5175

## PUERTO RICO

### Appliance Parts Imports

[www.apipr.net](http://www.apipr.net)

Ave. Campo Rico GQ-11----- Carolina, Puerto Rico 00982----- Ph. (787) 768-3109

Ave. Principal E6, Baralt----- Fajardo, Puerto Rico 00648----- Ph. (787) 860-3140

## SOUTH CAROLINA

### Fox Appliance Parts

[www.foxparts.com](http://www.foxparts.com)

3503 Wrightsboro Rd.----- Augusta, GA 30909----- Ph. (706) 737-3400

## TENNESSEE

### Mid America Appliance Parts<sup>®</sup>

[www.midamericaparts.com](http://www.midamericaparts.com)

5065 American Way----- Memphis, TN 38115----- Ph. (901) 332-1414

4956 Navy Rd.----- Millington, TN 38053----- Ph. (901) 872-0530

275 N. Highland----- Jackson, TN 38301----- Ph. (731) 664-7800

2235 Whitten Rd., Suite 108----- Bartlett, TN 38133----- Ph. (901) 387-3466

464 Distribution Parkway----- Collierville, TN 38017----- Ph. (901) 853-0212

## TEXAS

### Appliance Parts Company

[www.appliancepartscompany.com](http://www.appliancepartscompany.com)

2301 E. St. Elmo Road, Ste 205----- Austin, TX 78744----- Ph. (512) 655-2726

601 Florida Ave.----- San Antonio, TX 78210----- Ph. (210) 233-2675

### Mid-South Distributing

[www.midsouthparts.com](http://www.midsouthparts.com)

1501 N. Robison----- Texarkana, TX 75501----- Ph.: (903) 838-2446

4707 DC Dr.----- Tyler, TX 75701----- Ph. (903) 592-4440

## UTAH

### Appliance Parts Company

[www.appliancepartscompany.com](http://www.appliancepartscompany.com)

2181 W California Ave #200----- Salt Lake City, Utah 84104----- Ph. (801) 975-1333

### Ingle Supply Company

[www.inglesupply.com](http://www.inglesupply.com)

904 West 10th St.----- Pueblo, Colorado 81003----- Ph. (719) 543-2612

# WAREHOUSE LOCATIONS

## UTAH (Continued)

VIP Appliance & HVAC Parts

[www.vipappliance-hvac.com](http://www.vipappliance-hvac.com)

820 2nd St.----- Greeley, Colorado 80631 ----- Ph. (970) 353-7333

## VIRGINIA

D&L Parts Company

[www.dlpartsco.com](http://www.dlpartsco.com)

1220 Fleetway Dr. ----- Chesapeake, VA 23323 ----- Ph. (757) 558-9192

700 Thimble Shoals Blvd, Suite 108 -- Newport News, VA 23606 ----- Ph. (757) 599-8434

5805 School Ave., Suite A ----- Richmond, VA 23228----- Ph. (804) 716-4227

218 Pennsylvania Ave. ----- Virginia Beach, VA 23462 ----- Ph. (757) 519-9191

## WASHINGTON

Nor-Mon Distributing Inc.

[www.normondistributing.com](http://www.normondistributing.com)

1134 S.E. Stark St. ----- Portland, OR 97214-1337----- Ph. (503) 234-6215

## WEST VIRGINIA

D&L Parts Company

[www.dlpartsco.com](http://www.dlpartsco.com)

2100 Freedom Dr.-----Charlotte, NC 28208 ----- Ph. (704) 374-0400

## WISCONSIN

Parts USA

333 S. Hawley Rd. ----- Milwaukee, WI 53214 ----- Ph. (414) 475-1070

Sundberg Co.

[www.sundbergamerica.com](http://www.sundbergamerica.com)

4221 Nakoosa Trail ----- Madison, WI 53714 ----- Ph. (608) 257-2580

5727 W. Burnham St. ----- West Allis, WI 53219 ----- Ph. (414) 543-1700

## WYOMING

Ingle Supply Company

[www.inglesupply.com](http://www.inglesupply.com)

904 West 10th St. ----- Pueblo, CO 81003 ----- Ph. (719) 543-2612

VIP Appliance & HVAC Parts

[www.vipappliance-hvac.com](http://www.vipappliance-hvac.com)

820 2nd St.----- Greeley, CO 80631 ----- Ph. (970) 353-7333

R134a · R513A · 115-127V | 60 Hz  
R290 · 115-127 V | 60 Hz

## A PREMIUM ROBUST SOLUTION FOR FOOD RETAIL AND FOOD SERVICE

**SECOP**

The KL-Series for R290 and R134a/R513A was designed to offer a reliable, high-performing, and cost-effective solution for the next generation of light commercial cabinets, providing high energy efficiency. It serves both OEMs and the replacement market.

Available at your Armstrong distributors



**KLF / KLE**



[www.secop.com](http://www.secop.com)

Sustainable Cooling Solutions

[www.parts-connect.com](http://www.parts-connect.com)